

## PK 100002 *Performance*

**PALFINGER**



PERFECT CRANE GEOMETRY IN THE HEAVY-DUTY LEAGUE



**Paltronic 50**  
controlled

**RRC**  
Radio Remote Control  
operated

**ISC**  
Integrated Stability Control  
monitored

**AOS**  
Active Oscillation Suppression  
inside

**DPS plus**  
Dual Power System  
activated



## ENORMOUS OUTREACH AND PRECISION

The PK 100002 *Performance* sets the standards in its class and impresses by virtue of its geometry and numerous technical highlights. Equipped as standard with PALTRONIC 50, radio remote control and E-HPLS, this crane stands out through its great manoeuvrability and universal deployability.

Thanks to the POWER LINK PLUS, a further standard element of this model, the PK 100002 *Performance* makes it easy to perform heavy-duty work – even in cramped conditions.



## LOW WEIGHT THROUGH USE OF HIGH-STRENGTH FINE-GRAINED STRUCTURAL STEEL



## AN OUTSTANDING CRANE IN THE 100 METRE-TONNE CLASS

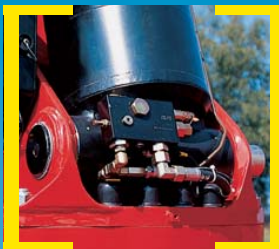
### Advanced Package

- Oil cooler installed
- Electronic HPLS
- Capacity display on control console
- PALFINGER radio control
- PALTRONIC 50
- Functional Design
- Load Sensing operation



### Load-holding valves

They prevent the crane arm from dropping and are fitted as standard equipment onto the slewing mechanism, elevating arm, and extension cylinders. The valves are positioned in such a way that they are protected from being damaged.



### POWER LINK PLUS

This knuckle boom specially developed by PALFINGER which can be angled upwards by 10 degrees stands out by virtue of excellent movement geometry. Even in the tightest spaces difficult crane jobs can be carried out without any problems.

### Control valve

In combination with the PALFINGER radio control system the load sensing proportional valve enables the crane to be operated with great precision.

### AOS

The Active Oscillation Suppression system, which is available exclusively from PALFINGER, compensates for jolts and sharp stress cycles caused by crane operation. Because oscillations are eradicated, the crane can work with pin-point accuracy much more quickly and therefore more cost-efficiently.

### Endless slewing mechanism

The endless slewing mechanism, which is equipped as standard with two slewing drives, permits an unrestricted radius of operation and produces a high slewing torque. As a result the crane operations are more efficient.



## OPTIMAL OSCILLATION SUPPRESSION BY MEANS OF AOS



### Hose equipment for accessories

With this option you can provide the oil supply for boom tip accessories. The hoses are routed in compact troughs and plastic link chains. Optimal protection is achieved.



### Functional design

- Protection cover for the control valve
- Hoses covered behind the crane column
- Support system with internally routed hydraulic lines



### Integration of the base frame

The direct integration of the base frame into the supporting frame gives the crane a low overall height.

### Additional fly jibs

To extend the range of applications of the PK 100002 *Performance* additional fly jibs are available in several designs and for various boom versions.

### Return oil utilisation

The high speed of the extension system is impressive. It results from return oil utilisation, which is installed as standard, along with generously dimensioned hydraulic lines. This makes for increased efficiency in any type of application!

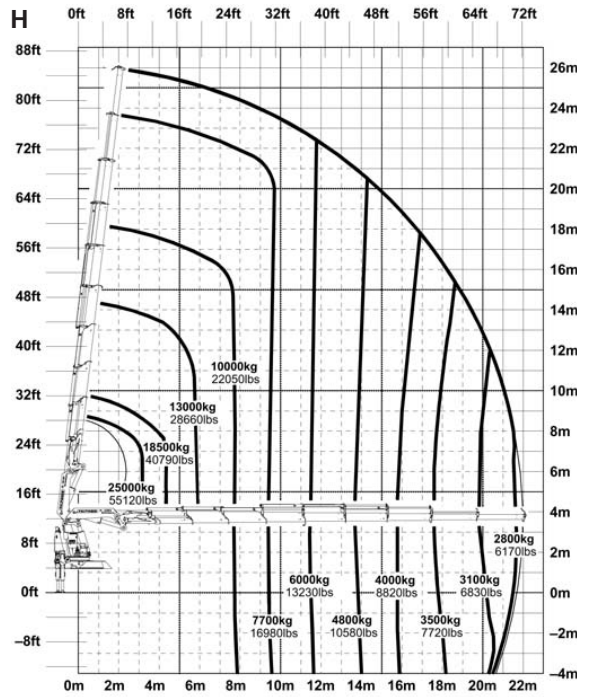
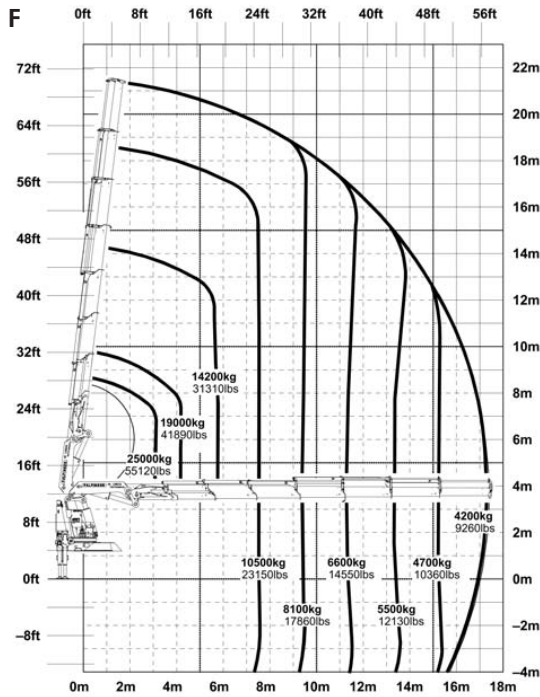
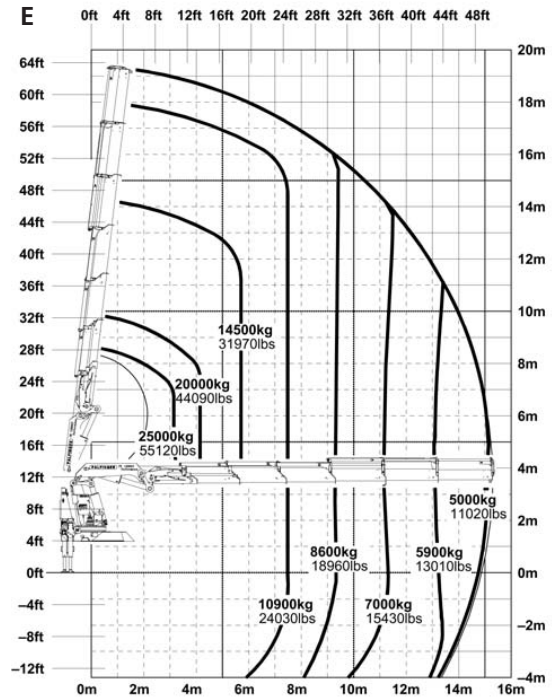
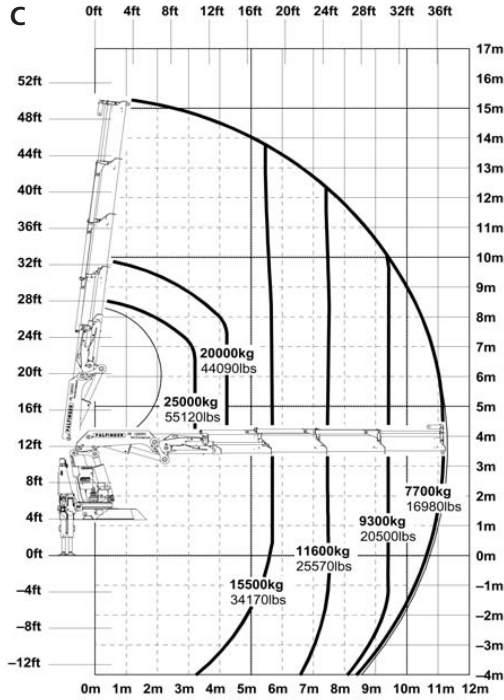
### Outrigger system

The 8.6 m outrigger system is fitted as standard equipment with support cylinders that can be hydraulically swivelled up 180° and ensures optimal stability. The control valves for crane and additional supports are mounted as standard equipment on the base frame. The switchover between crane and support control is done electrically. Bubble level and hour counter are mounted in the support control valve console.



## 9 EXTENSION ARMS PERMIT MAXIMUM OUTREACH

### PK 100002 Performance



## EXPANDED AREAS OF APPLICATION THROUGH HIGH-PERFORMANCE FLY JIBS

### Max. lifting capacities

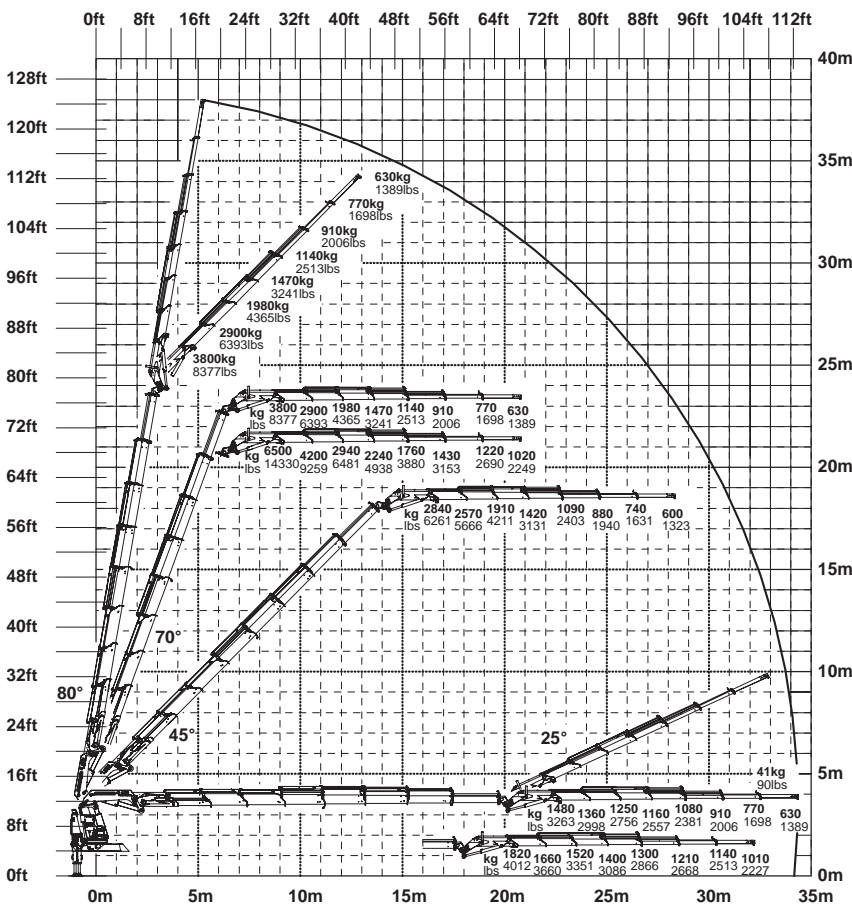
PK 100002 Performance B			
Max. lifting capacities 30000 kg 66140 lbs			
Outreach		Capacity	
hydraulic			
4.4 m	14' 5"	19900 kg	43870 lbs
5.6 m	18' 4"	15700 kg	34610 lbs
7.4 m	24' 3"	12000 kg	26450 lbs
9.2 m	30' 2"	9700 kg	21380 lbs

PK 100002 Performance C			
Max. lifting capacities 30000 kg 66140 lbs			
Outreach		Capacity	
hydraulic			
4.4 m	14' 5"	19640 kg	43300 lbs
5.6 m	18' 4"	15400 kg	33950 lbs
7.4 m	24' 3"	11640 kg	25660 lbs
9.2 m	30' 2"	9320 kg	20550 lbs
11.1 m	36' 5"	7720 kg	17020 lbs

PK 100002 Performance D			
Max. lifting capacities 30000 kg 66140 lbs			
Outreach		Capacity	
hydraulic			
4.4 m	14' 5"	19300 kg	42550 lbs
5.6 m	18' 4"	15100 kg	33290 lbs
7.4 m	24' 3"	11300 kg	24910 lbs
9.2 m	30' 2"	8960 kg	19750 lbs
11.1 m	36' 5"	7370 kg	16250 lbs
13.1 m	43' 0"	6230 kg	13730 lbs

### PK 100002 Performance

#### G PJ170E JV1 DPS PLUS



PK 100002 Performance E			
Max. lifting capacities 30000 kg 66140 lbs			
Outreach		Capacity	
hydraulic			
4.4 m	14' 5"	19000 kg	41890 lbs
5.6 m	18' 4"	14800 kg	32630 lbs
7.4 m	24' 3"	10960 kg	24160 lbs
9.2 m	30' 2"	8630 kg	19030 lbs
11.1 m	36' 5"	7020 kg	15480 lbs
13.1 m	43' 0"	5870 kg	12940 lbs
15.2 m	49' 10"	5050 kg	11130 lbs

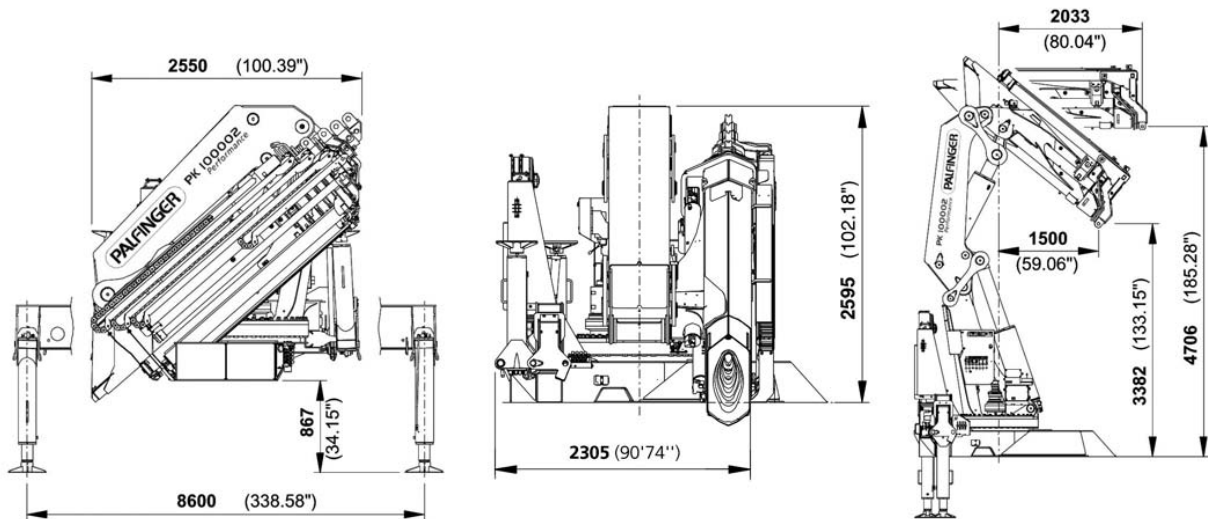
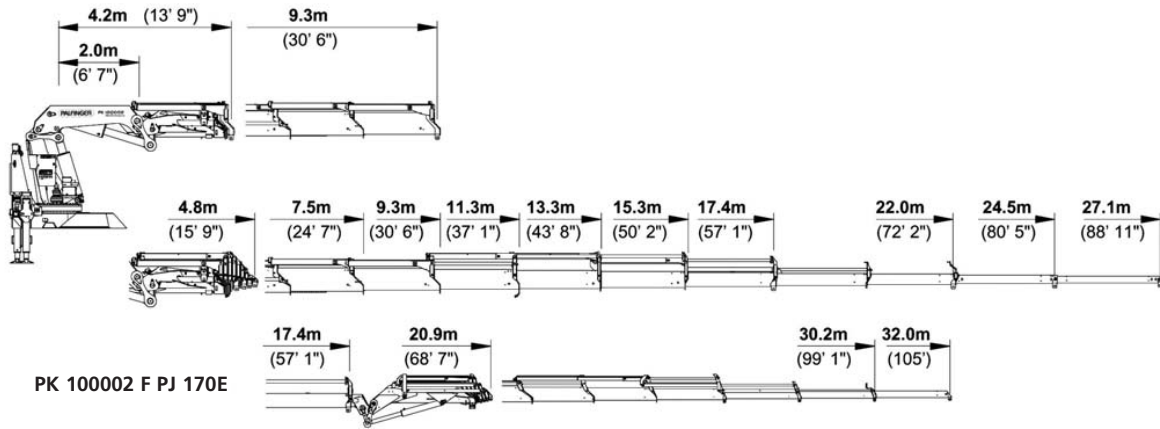
PK 100002 Performance F			
Max. lifting capacities 30000 kg 66140 lbs			
Outreach		Capacity	
hydraulic			
4.4 m	14' 5"	18800 kg	41450 lbs
5.6 m	18' 4"	14530 kg	32030 lbs
7.4 m	24' 3"	10670 kg	23520 lbs
9.2 m	30' 2"	8300 kg	18300 lbs
11.1 m	36' 5"	6700 kg	14770 lbs
13.1 m	43' 0"	5540 kg	12210 lbs
15.2 m	49' 10"	4700 kg	10360 lbs
17.3 m	56' 9"	4120 kg	9080 lbs
manual			
19.5 m	64' 0"	3500 kg	7720 lbs
21.8 m	71' 6"	3000 kg	6610 lbs

PK 100002 Performance H			
Max. lifting capacities 29200 kg 64370 lbs			
Outreach		Capacity	
hydraulic			
4.4 m	14' 5"	18500 kg	40780 lbs
5.6 m	18' 4"	14150 kg	31190 lbs
7.4 m	24' 3"	10200 kg	22490 lbs
9.2 m	30' 2"	7850 kg	17310 lbs
11.1 m	36' 5"	6200 kg	13670 lbs
13.1 m	42' 12"	5030 kg	11090 lbs
15.2 m	49' 10"	4200 kg	9260 lbs
17.3 m	56' 9"	3580 kg	7890 lbs
19.6 m	64' 4"	3100 kg	6830 lbs
21.9 m	71' 10"	2770 kg	6110 lbs
manual			
24.3 m	79' 9"	2400 kg	5290 lbs
26.9 m	88' 3"	1650 kg	3640 lbs

The outreaches stated are with a boom angle of 20° and are therefore not the maximum.



## PK 100002 PERFORMANCE: IMPRESSIVE POWER AND QUALITY



PK 100002 Performance		
Technical Specifications (EN 12999 H1-B3)		
Max. lifting moment	92.2 mt/904.5 kNm	666870 ft.lbs
Max. lifting capacity	30000 kg/294.3 kN	66140 lbs
Max. hydraulic outreach	22.0 m	72' 2"
Max. manual outreach	27.1 m	88' 11"
Max. outreach (with fly-jib)	32.0 m	104' 12"
Slewing angle	endless	

PK 100002 Performance		
Standard crane		
Slewing torque	9.0 mt/88.3 kNm	65100 ft.lbs
Outreach	9.3 m	30' 6"
Stabilizer spread standard	8.6 m	28' 3"
Fitting space required	min. 2.31 m / 7' 7"	max. 2.47 m / 8' 1"
Width folded	2.55 m	8' 4"
Max. operating pressure	365 bar	5293 psi
Recommended pump capacity with RC- and LS-system	from 90 l/min	19.8 imp.gal./min 23.8 US gal./min
	to 110 l/min	24.2 imp.gal./min 29.1 US gal./min
Dead weight standard crane	8800 kg	19400 lbs

Applications shown in the leaflet do not always correspond to the standard specifications. Design and specification are subject to change without prior notice.



Dimensions may vary. Subject to technical changes, errors and translation mistakes. \*) Optional features

KP-PK100002M2+E, 06/09

www.palfinger.com

