

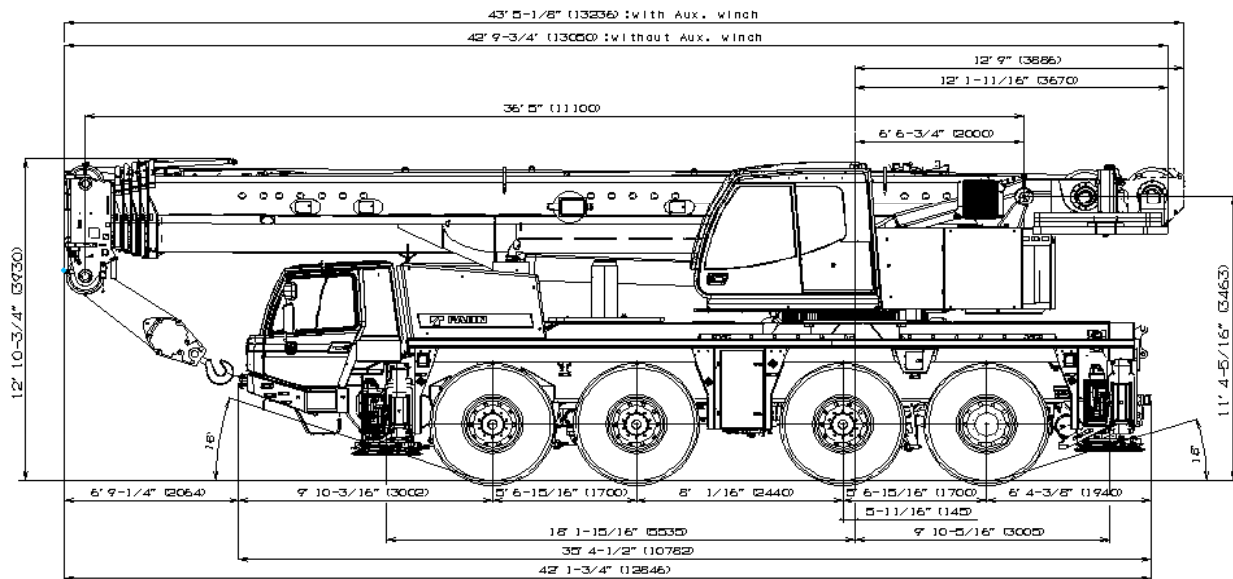


ATF90G-4

110 Ton Capacity (99.8 Metric Tons)

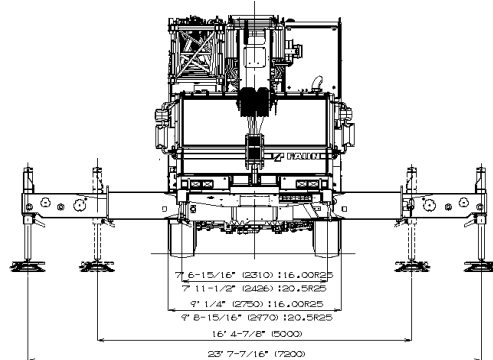
ALL TERRAIN CRANE

DIMENSIONS



TURNING RADIUS

Steering	Front wheel(8X6)	All wheel(8X8)
Carrier inside	16'8-13/16"(5100mm)	12'9-9/16"(3900mm)
Over carrier	34'1-7/16"(10400mm)	29'10-1/4"(9100mm)
Over boom	37'8-3/4"(11500mm)	33'9-1/2"(10300mm)
Over boom extension	39'8-3/8"(12100mm)	35'9-1/8"(10900mm)



Specifications are subject to change without notice.



1. CRANE CARRIER

1.1 FRAME

FAUN purpose built, 4 axle, box-type, torsion resistant, welded construction made of high tensile steel with integrated outrigger housings. Equipped with front and rear fenders, front and rear towing and tie-down lugs and towing connections and access ladders.

1.2 OUTRIGGERS

Four point, fully hydraulic, double telescopic outriggers with horizontal and vertical motions are independently controlled by electro-magnetic valves. Push button controls with level gauges on both sides of carrier and in super-structure cab. Vertical cylinders with integral holding valves. Large sized floats can be stored on vertical cylinders or on carrier for road travel. Outrigger base: length 28'-1/4" (8.54m), width 23' 7-7/16" (7.2m) Mid. extension 16' 4-7/8" (5.0m).

1.3 CARRIER ENGINE

Mercedes Benz 6 cylinder water-cooled diesel engine, model OM 501 LA (EUROMOT 3,EPA Tier 3), with hydrostatically driven fan and thermostatically controlled cooler. Displacement 728.99 in³, Rating 428 hp at 1,800 rpm: Torque 1,475 ft-lbs at 1,300 rpm.

1.4.1 TRANSMISSION

ZF AS-Tronic, type 12AS2302, with electro-pneumatically controlled dry clutch and fully automatic control system, 12 forward speeds and 2 reverse gears.

Gear ratios Forward: 12.33 / 9.59 / 7.44 / 5.78 / 4.57 / 3.55
2.70 / 2.10 / 1.63 / 1.27 / 1.00 / 0.78

Reverse: 11.41 / 8.88

1.4.2 TRANSFER CASE

Two stage Kessler transfer case is flange-mounted to 3rd axle. Reduction ratio: on-road 0.89 / off-road 1.536

1.5 DRIVE

8x6 for on-road and off-road: 2nd, 3rd and 4th axle are driven
8x8 for off-road(OPTIONAL)

1.6 AXLES

1st axle : steered,non-driven(8x6)
steered,driven with transverse differential lock(8x8),
reduction : 7.99

2nd axle steered, driven with transverse differential lock ,
reduction : 7.95

3rd axle :steered, driven with transverse differential lock,
reduction : 7.94

4th axle :steered, driven with transverse differential lock,
reduction : 7.95

All steering knuckle bearings designed for minimum maintenance (yearly inspection).

1.7 SUSPENSION

Hydro-pneumatic, lockable with level adjustment. All axles have longitudinal and transverse trailing arms. With leveling adjustment and locked cylinders, the chassis can be tilted laterally and longitudinally by push buttons in the carrier cab which adjust the stroke of each individual suspension cylinder.

Cylinder stroke: - 4-3/4" (- 120mm)
+5-7/8" (+ 150mm)

1.8 BRAKE SYSTEM

Service brake : Dual circuit compressed air system
with ABS and air-dryer.

Parking brake : Spring loaded type, acting on 2nd,3rd and 4th axles.

Auxiliary brake : Engine exhaust brake, constant
throttle engine brake system and Intarder

1.9 WHEELS

(8)11.00-25 steel disc wheels with (8) 16.00R25
on / off-road profile tires and mud flaps.

Carrier width: 9'1/4" (2.75m) with16.00R25 tires
9' 8-15/16" (2.97m) with 20.5R25 tires (OPTIONAL)

1.10 STEERING SYSTEM

ZF Servocom dual circuit hydraulic steering. Mechanical steering of two front axles with hydraulic booster.

An emergency steering pump is flange-mounted to the transfer case.

In on-road mode at speed up to 15.5mph(25km/h),4th Axle

is steered electro-hydraulically along with the front 2 axles.

When exceeding 15.5mph(25Km/h),4th axle is locked in centered position.

In off road mode, four steering modes are available.

8 wheel coordinated, 8 wheel crab, manual steering of the 4th axle

(The 3rd axle is steered automatically depending on the current steering angle of 1st and 4th axle) and automatic steering of rear two axles.

1.11 POWER TRAIN

Axles, suspension cylinders and drive-shafts with cross-geared flanges virtually maintenance-free.

1.12 FUEL TANK CAPACITY

105 gal (400l) filler cap lockable.

1.13 CARRIER CAB

Two man full width cab of composite structure (steel sheet metal and fiber glass), windshield of laminated safety glass with windshield wiper and washer, sliding side windows of hardened safety glass. Driver and co-driver seats adjustable and air-suspended with integrated 3 point safety belts and headrests. 2 rear-view mirrors (electrically adjustable),

1 wide angle mirror and additional curb mirror, all mirrors heated, Radio/CD player and connections for wireless.

Engine dependent warm-water heater with defroster

nozzles for windshield and cab floor.

Instrumentation includes speedometer, odometer,

tachograph, rpm counter with hour meter, fuel level gauge,

air pressure gauge and engine warning lamp.

Tempomat cruise control function. One-key system.

Air conditioner(OPTIONAL)

1.14 ELECTRICAL SYSTEM

24 volt DC system with 80 ampere 3-phase generator, and two 12 volt, 170 Ah batteries.

Front lighting includes 2 main head lights, 2 high beam lights, 2 directional indicators and 2 parking lights.

Rear lighting includes 2 rear combi panels each with directional indicator, parking light, brake light, fog light, reversing light and license plate light.

Side lighting includes 2 front directional indicators and reflectors on carrier.

Other equipment includes hazard warning light system, cab light, instrument panel light, signal horn and amber rotating beacon on cab roof.

Lighting according to EEC regulations.

1.15 TOOLS AND ACCESSORIES

Special tool set, hazard warning triangle, hazard flashing lamp, fire extinguisher and first aid kit.

1.16 PAINTING

Standard TADANO colors

1.17 DIMENSIONS

Overall width : 9'1/4" (2.75m) with 16.00R25 tires
 9' 8-15/16" (2.97m) with 20.5R25 tires
 Overall height : 12' 10-3/4" (3.930m)
 In travel condition, the overall height can be adjusted - 4" / + 4"
 Overall length : 43' 5-1/8" (13.236m) with Aux. winch
 42' 9-3/4" (13.050m) without Aux. winch
 Carrier length : 35' 4-1/2" (10.780m)
 Wheel base : 5' 6-15/16" + 8' -1/16" + 5' 6-15/16"
 (1.7m + 2.44m + 1.7m)
 Tail swing : 12' 9-15/16" (3.910m) with Aux. winch
 12' 1-11/16" (3.700m) without Aux. winch

1.18 CARRIER OPTIONAL EQUIPMENT

1. Air conditioning
2. 8x8 drive
3. 20.5R25 on/off road profile tires
4. Spare wheel
5. Spark arrester
6. Rear Toolbox
7. Towing coupling (D-value 190kN) with light and brake connection
8. Air and electrical lines to rear bumper with quick connectors for boom dolly
9. Free swing and boom elevation circuits for boom dolly connectors mounted on rear bumper for boom dolly
10. Charging plug box for remote engine starting
11. Additional hot water heater with engine pre-heater and window defroster (Webasto Thermo 90S)
12. Central lubricating system

2. TRAVEL PERFORMANCE (according to DIN 70020)

Max. travel speed : 52.8 mph

Max. gradeability : 62 %

Gear	16.00R25 / 20.5R25 tires, GVW 105,840 lb			
	off-road		on-road	
	Travelling speed (mph)	Gradabilities (%)	Travelling speed (mph)	Gradabilities (%)
1st	0 - 2.5	62	0-3.7	35
2nd	3.1	62	4.9	35
3rd	3.7	50	6.1	26
4th	4.9	37	8.0	20
5th	6.1	28	10.0	15
6th	7.4	21	13.0	12
7th	10.0	16	17.4	9
8th	13.0	12	22.3	6
9th	16.7	9	28.5	5
10th	21.1	7	36.6	3
11th	26.7	5	46.6	2
12th	34.8	4	52.8	1
1st Rev.	2.4	56	4.3	32
2nd Rev.	3.1	56	4.9	32

The gradeability is based on theoretical values and depends on ground conditions and the coefficient of friction.

3. SUPERSTRUCTURE

3.1 SUPERSTRUCTURE FRAME

Connected to carrier by a single-race ball bearing slewing ring with external gearing providing 360° continuous rotation.

3.2 CRANE ENGINE

Mercedes Benz 4 cylinder water-cooled diesel engine, model OM 904 LA(EUROMOT 3A, EPA Tier3), with 174 hp at 2,000 rpm, 500 ft-lbs torque at 1,200-1,600 rpm. Stepless control of engine rpm by foot pedal. Engine pre-heat system.
Fuel tank capacity : 58.12 gal (220 l)

3.3 HYDRAULIC SYSTEM

Three circuit diesel hydraulic system with 1 axial piston variable displacement (hydraulically controlled) double pump with cumulative control for telescoping, derricking and hoisting plus 1 double gear pump for swing and pilot controls. Hydraulic oil cooler.

3.4 HYDRAULIC CONTROLS

2 joy-stick levers and 4 three-way electrically operated valves for independent simultaneous operation of all crane motions with stepless speed control.

3.5 TELESCOPIC BOOM

Six section box type construction of high tensile, fine grained steel, consisting of 1 base section and 5 telescopic sections. The boom is extended by means of 1 double acting single stage cylinder with integrated holding valves.

All telescope sections can be extended and retracted fully automatic and locked in the selected working position.

All telescope sections are extendable under partial load.

Total retracted length : 36' 5" (11.1m)
Total extended length : 167' 11-3/4" (51.2m)
Max. sheave height : 177' 2" (54.0m)
Telescoping speed out : 440sec. normal speed
310 sec. high speed

3.6 TELESCOPIC BOOM EXTENSION

Swing around lattice type boom extension 32.8'(10.0m) / 59.0'(18.0m), offsets 0°/ 20°/ 40° with anti-two block system.

(OPTIONAL)

Swing around lattice type boom extension 32.8'(10.0m) / 59.0'(18.0m), can be hydraulically positioned at offset angles from 0° to 40° with anti-two block system.

3.7 AUXILIARY LIFTING SHEAVE (SINGLE TOP) (OPTIONAL)

Single sheave mounted to main boom head for single line operation (stowable). Equipped with anti-two block system .

3.8 BOOM HOIST

1 double acting hydraulic cylinder with integral holding valve.

Boom elevation : -1° to +82.4°
Boom elevation speed : 65 sec. normal speed /
35 sec. high speed (only derricking up)

3.9 MAIN WINCH

Axial piston constant displacement motor, grooved hoist drum, integral planetary gear, automatic hydraulically controlled spring-loaded multiple disc brake and integral free wheeling (no sagging of load by hoisting). Winch drive assembly connected to open hydraulic system. Wire rope with "Superstop" easy reeving system. Lower limit switch and drum turn indicator.

Drum diameter : 17.00" (432mm)
Rope diameter : 0.70" (18mm)
Rope length : 755' (230m)
Max. line pull : 12,364 lbs. (55 kN)
Max. line speed : 311 ft/min (95m/min) normal/
377 ft/min (115m/min) high

3.10 AUXILIARY WINCH (OPTIONAL)

Axial piston constant displacement motor, grooved hoist drum, integral planetary gear, automatic hydraulically controlled spring-loaded multiple disc brake and integral free wheeling (no sagging of load by hoisting). Winch drive assembly connected to open hydraulic system. Wire rope with "Superstop" easy reeving system. Lower limit switch and drum turn indicator.

Drum diameter : 17.00" (432mm)
Rope diameter : 0.70" (18mm)
Rope length : 755' (230m)
Max. line pull : 12,364 lbs. (55 kN)
Max. line speed : 311 ft/min (95m/min) normal/
377 ft/min (115m/min) high

3.11 SLEWING GEAR

Constant displacement motor with two stage planetary gear, a foot actuated service brake and a parking brake. Slewing speed infinitely variable: 0 - 2.0 rpm

3.12 COUNTERWEIGHT

Total 49,171.5 lbs, divisible, assembled and disassembled by hydraulic cylinders controlled from crane cab.
Tail 12' 9-15/16" (3.910m) with Aux. winch
12' 1-11/16" (3.700m) without Aux. winch

3.13 SUPERSTRUCTURE CAB

Spacious comfortable panoramic cab with sliding door, extra-large tinted glass windows, fold-out front window with windshield washer and wiper, fixed cab roof window with armoured glass and washer/wiper, sun visor, cab light, adjustable hydraulically cushioned seat with headrest, signal horn, radio/CD player, and connection for wireless (24 volt and 12 volt).

Engine independent warm-water heater with defroster nozzles for windshield and cab floor, (Webasto Thermo 50). Ergonomically positioned control elements and instrumentation for crane operation including fuel level gauge, hydraulic oil temperature gauge, hour meter and combined engine warning lamp.

Travel controls for steering and driving in 1st forward and reverse gear only.

Outtrigger controls and level from superstructure cab.

Air conditioner.(OPTIONAL)

3.14 ELECTRICAL SYSTEM

24 volt system with 80 A 3-phase alternator, two 12 V (110 Ah) batteries, 1 rotating beacon on left-hand side of main winch, 2 working lights on cab front flap, 1 working light on boom base section and 2 side lights on boom head.

3.15 SAFETY DEVICES

Electronic load moment device (AML) with interpolation and automatic overload shut-off, hoist limit switch with shut-off, overload warning and load moment indicator.

Digital display of boom angle, boom length, sheave height, working radius, hook load and further information.

Working area limitation for lifting height, load radius and boom angle with automatic shut off.

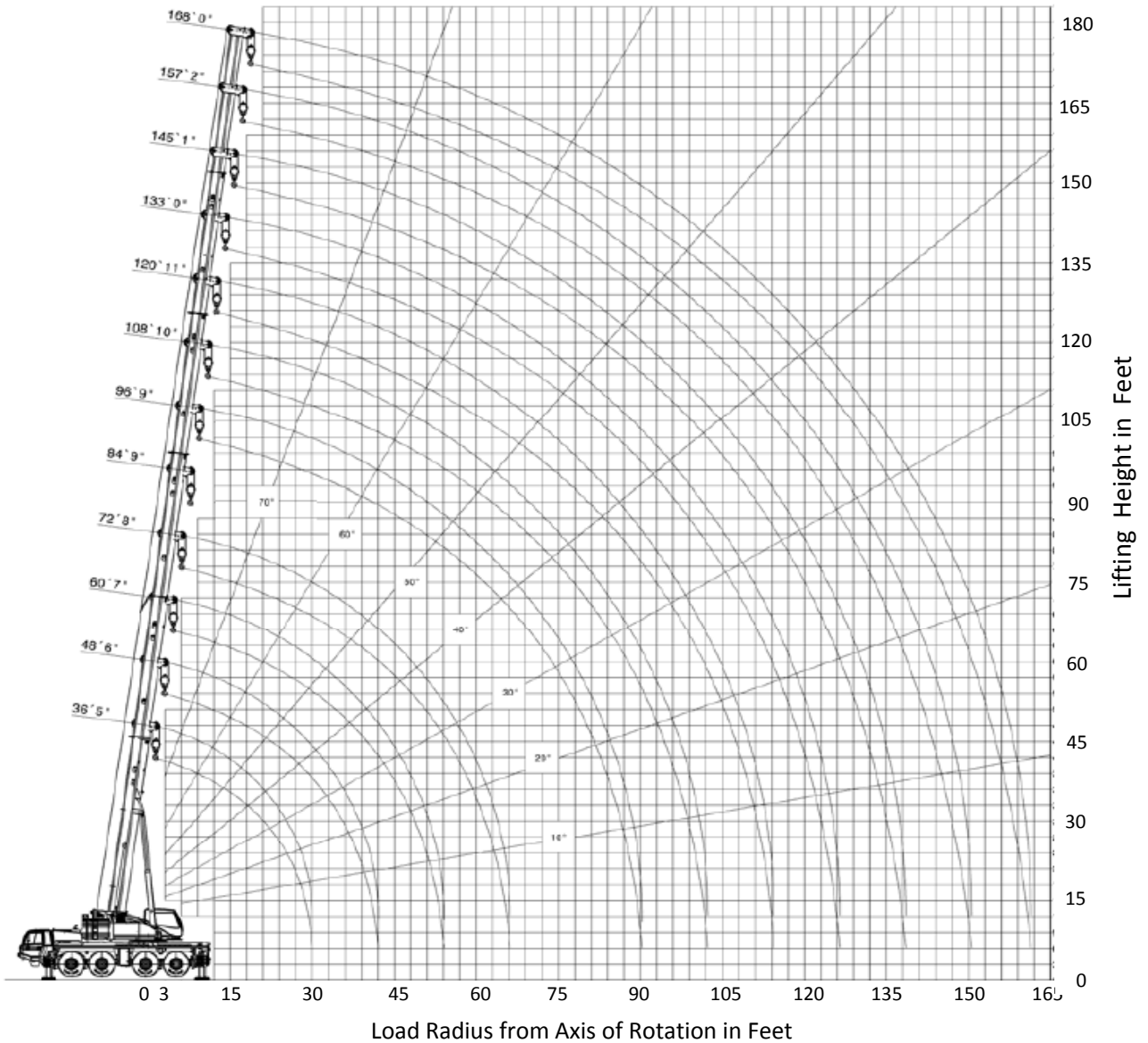
Lift Adjuster function, Anti-two block system, anemometer (optional) on the main boom head or on the jib head.

Safety valves against pipe and hose rupture, holding valves on hydraulic cylinders.

3.16 SUPERSTRUCTURE OPTIONAL EQUIPMENT

1. Air conditioning
2. 6.6 ton headache ball
3. 22.0 ton single sheave hook block
4. 44.1 ton 3 sheaves hook block
5. 69.4 ton 5 sheaves ram's horn hook block
6. Auxiliary winch
7. Auxiliary lifting sheave
8. Boom extension 32.8'(10.0m) / 59.0'(18.0m) with Hydraulically offset
9. Central lubrication system
10. Spark arrester
11. 360° positive swing lock (NYC requirement).
12. Additional hydraulic oil cooler
13. Outtrigger load display
14. Electric fan
15. Lift Adjuster
16. Winch drum mirror
17. Air craft warning light

ATF90G-4 WORKING RANGE CHART



Note : Boom and jib geometry shown are for unloaded condition and machine standing level on firm supporting surface. Boom deflection and subsequent radius and boom angle change must be accounted for when applying load to hook.

ATF90G-4 TADANO-Load rating chart

Counterweight 49,163 lbs

Lifting capacities in 1,000 lbs according per SAE J765, at telescopic boom On outriggers, 360° working area Outriggers fully extended, outrigger base 23.62ft																				
Working radius [ft]	Boom length [ft]											Working radius [ft]								
	36.4	48.6	48.6	60.7	60.7	60.7	60.7	72.5	72.5											
8.2	71	220.0*										8.2								
9.8	69	179.9*	167.8*	75	143.3	75	77.2	78	143.3	78	110.2	78	77.2	78	66.6	79	110.2	79	110.2	11.5
11.5	66	164.5*	154.5	73	143.3	73	77.2	77	139.3	77	110.2	77	77.2	77	61.9	79	110.2	79	110.2	13.1
13.1	63	150.6	141.5	70	140.0	70	77.2	75	130.5	75	110.2	75	77.2	75	57.8	78	110.2	78	110.2	14.8
14.8	60	138.0	130.3	68	129.4	68	75.2	73	122.6	73	110.2	73	77.2	73	54.2	77	103.2	77	110.2	16.4
16.4	56	127.4	120.4	66	119.5	66	71.4	72	115.3	72	110.2	72	77.2	72	51.1	75	97.0	75	110.2	19.7
19.7	50	110.2	104.3	62	103.2	62	65.0	68	101.6	68	103.2	68	71.4	68	45.9	73	86.6	73	101.2	23.0
23.0	42	93.7	90.8	57	89.7	57	59.7	65	88.8	65	89.9	65	66.1	65	41.4	70	78.3	70	89.9	26.2
26.2	32	80.7	78.0	52	78.0	52	55.3	61	77.2	61	78.3	61	61.7	61	37.9	67	71.2	67	78.9	29.5
29.5	15	54.9	52.9	46	70.1	46	51.8	57	67.9	57	69.2	57	57.8	57	34.8	64	65.3	64	69.7	32.8
32.8				40	61.7	40	48.7	53	59.5	53	61.3	53	54.7	53	32.4	61	59.1	61	61.5	36.1
36.1				33	52.7	33	46.1	49	51.4	49	52.9	49	51.8	49	30.2	58	51.8	58	53.6	39.4
39.4				23	45.6	23	44.3	45	44.3	45	45.9	45	49.4	45	28.2	55	44.8	55	46.7	45.9
45.9								34	34.2	34	35.5	34	40.1	34	25.1	48	34.6	48	36.4	52.5
52.5								17	27.3	17	28.4	17	32.8	17	22.9	39	27.3	39	29.1	59.1
59.1															29	22.5	29	24.0	65.6	72.2
65.6															10	17.6	10	19.0	78.7	85.3
72.2																			91.9	98.4
78.7																			105.0	111.5
85.3																			118.1	124.7
91.9																			131.2	137.8
98.4																			144.4	150.9
105.0																			157.5	
111.5																				
118.1																				
124.7																				
131.2																				
137.8																				
144.4																				
150.9																				
157.5																				
Tel.	Telescoping sequence [%]											Tel.								
1	0			46				92		46			0		0	92		46		1
2	0			0				0		46			0		0	46		46		2
3	0			0				0		0			0		0	0		46		3
4	0			0				0		0			46		0	0		0		4
5	0			0		46		0		0			46		92		0	0		5
No.	1			23		2		24		25			12		3		26		27	No.

1) Over rear with superstructure locking pin engaged and additional equipment.
 * With additional lifting equipment
 Operation and maintenance of this machine must be in compliance with the information provided in the "Operation and Maintenance Manual" supplied with this machine.

Counterweight 49,163 lbs

Load rating chart ATF 90G-4 Lifting capacities in 1,000 lbs according per SAE J765, at telescopic boom On outriggers, 360° working area Outriggers fully extended, outrigger base 23.62ft																				
Working radius [ft]	Boom length [ft]											Working radius [ft]								
	72.5	72.5	84.6	84.6	84.6	96.8	96.8	96.8	108.9	108.9										
8.2													8.2							
9.8													9.8							
11.5	79	77.2	79	65.3									11.5							
13.1	78	77.2	78	61.5	80	91.0	80	75.4	80	55.8			13.1							
14.8	77	77.2	77	58.2	79	90.2	79	75.4	79	53.4			14.8							
16.4	75	77.2	75	55.1	78	86.4	78	75.4	78	50.9	80	69.7	80	62.8	80	48.5			16.4	
19.7	73	75.4	73	49.8	76	77.2	76	75.4	76	47.0	78	68.6	78	62.8	78	46.3	79	52.5	79	46.1
23.0	70	70.3	70	45.6	73	69.4	73	73.0	73	43.0	76	63.5	76	62.8	76	43.2	78	52.5	78	46.1
26.2	67	65.9	67	42.1	71	63.1	71	68.8	71	39.7	74	58.0	74	62.8	74	40.3	76	52.0	76	46.1
29.5	64	62.2	64	39.0	69	57.8	69	65.0	69	36.6	72	53.1	72	62.8	72	37.5	74	48.5	74	45.9
32.8	61	58.4	61	36.4	66	53.4	66	61.7	66	34.2	70	48.9	70	60.0	70	34.8	73	45.4	73	43.4
36.1	58	54.5	58	34.2	64	49.4	64	56.7	64	32.0	68	45.4	68	53.1	68	32.6	71	42.5	71	41.2
39.4	55	50.3	55	32.2	61	45.6	61	50.3	61	30.0	65	42.3	65	46.7	65	30.6	69	39.9	69	39.2
45.9	48	40.1	48	28.9	55	35.5	55	39.7	55	26.5	61	35.5	61	36.6	61	27.3	65	35.1	65	35.7
52.5	39	32.8	39	26.2	49	28.2	49	32.4	49	23.8	56	29.3	56	30.4	56	24.7	61	30.0	61	31.5
59.1	29	27.6	29	24.3	43	22.9	43	27.1	43	21.4	51	24.0	51	26.2	51	22.3	57	25.4	57	27.1
65.6	10	21.6	10	21.2	35	19.2	35	22.9	35	19.6	45	20.3	45	22.0	45	20.3	52	21.2	52	22.9
72.2				25	16.1	25	19.8	25	18.1	39	17.0	39	19.0	39	18.5	47	18.1	47	19.8	72.2
78.7										31	14.3	31	16.3	31	17.2	42	15.4	42	17.0	78.7
85.3										22	12.1	22	14.1	22	16.1	36	13.0	36	15.0	85.3
91.9																29	11.5	29	13.0	91.9
98.4																18	9.7	18	11.5	98.4
105.0																				105.0
111.5																				111.5
118.1																				118.1
124.7																				124.7
131.2																				131.2
137.8																				137.8
144.4																				144.4
150.9																				150.9
157.5																				157.5
Tel.	Telescoping sequence [%]											Tel.								
1	0			92				0		92			46		0	92		46		1
2	0			46				46		46			46		0	46		46		2
3	46			46				46		0			46		46	46		46		3
4	46			46				46		92			46		46	46		46		4
5	46			92				46		92			46		92	46		46		5
No.	13			4		28		14		5			29		15		6		16	No.

Operation and maintenance of this machine must be in compliance with the information provided in the "Operation and Maintenance Manual" supplied with this machine.



Counterweight 49,163 lbs

Load rating chart ATF 90G-4																					
Lifting capacities in 1,000 lbs according per SAE J765, at telescopic boom																					
On outriggers, 360° working area																					
Outriggers fully extended, outrigger base 23.62ft																					
Working radius [ft]	Boom length [ft]											Working radius [ft]									
	108.9	121.1	121.1	121.1	132.9	132.9	145.0	145.0	157.2	168.0											
8.2												8.2									
9.8												9.8									
11.5												11.5									
13.1												13.1									
14.8												14.8									
16.4												16.4									
19.7	79	38.1										19.7									
23.0	78	38.1	79	43.4	79	35.5	79	32.6	80	34.8	80	28.4	23.0								
26.2	76	35.5	78	43.4	78	35.5	78	32.6	79	34.8	79	28.4	80	28.4	80	24.3	26.2				
29.5	74	33.1	77	43.4	77	35.5	77	32.6	78	34.8	78	28.4	79	28.4	79	24.3	29.5				
32.8	73	30.9	75	40.8	75	35.5	75	31.1	77	34.8	77	28.4	78	28.4	78	24.3	79	22.5	80	19.6	32.8
36.1	71	28.9	73	38.4	73	34.0	73	29.3	75	34.4	75	28.4	77	28.4	77	24.3	78	22.5	79	19.6	36.1
39.4	69	27.1	72	36.2	72	32.2	72	27.8	74	32.6	74	27.8	76	28.4	76	24.3	77	22.5	78	19.6	39.4
45.9	65	24.3	68	32.2	68	29.3	68	25.1	71	29.3	71	25.4	73	26.9	73	24.3	75	22.5	76	19.6	45.9
52.5	61	21.8	65	28.4	65	26.9	65	22.7	68	26.5	68	23.1	71	24.5	71	22.9	73	22.5	74	19.6	52.5
59.1	57	19.8	61	24.7	61	24.7	61	20.9	65	24.0	65	21.4	68	22.3	68	21.4	70	20.5	72	19.2	59.1
65.6	52	18.1	57	20.9	57	22.5	57	19.2	62	20.9	62	19.8	65	20.5	65	19.8	68	19.0	70	17.6	65.6
72.2	47	16.5	53	17.9	53	20.3	53	17.9	58	17.9	58	18.3	62	18.3	62	18.5	65	17.4	67	16.3	72.2
78.7	42	15.2	49	15.2	49	17.4	49	16.5	54	15.4	54	17.0	59	15.9	59	16.8	62	16.1	65	15.2	78.7
85.3	36	13.9	44	13.0	44	15.4	44	15.2	50	13.4	50	15.4	55	13.9	55	15.2	59	14.6	62	13.9	85.3
91.9	29	13.0	39	11.2	39	13.4	39	13.9	46	11.5	46	13.7	52	11.9	52	13.2	56	12.6	60	12.6	91.9
98.4	18	12.1	33.0	9.5	33	11.9	33	12.6	42	9.9	42	12.1	48	10.1	48	11.7	53	11.0	57	11.0	98.4
105.0			26.0	8.2	26	10.4	26	11.5	37	8.6	37	10.6	44	9.0	44	10.1	50	9.5	54	9.5	105.0
111.5			16.0	7.1	16	9.3	16	10.1	31	7.3	31	9.5	40	7.7	40	9.0	46	8.2	50	8.2	111.5
118.1									24	6.2	24	8.6	35	6.6	35	7.9	42	7.1	47	7.3	118.1
124.7									13	5.3	13	7.5	29	5.5	29	7.1	38	6.2	44	6.4	124.7
131.2													22	4.9	22	6.4	33	5.3	40	5.3	131.2
137.8													9	4.2	9	5.5	28	4.6	36	4.6	137.8
144.4																	21	4.2	31	4.0	144.4
150.9																			25	3.3	150.9
157.5																			17	2.9	157.5
Telescoping sequence [%]																					
Tel.	1	0	92	46	0	92	0	92	46	92	100	1									
Tel.	2	0	92	46	46	92	92	92	92	92	100	2									
Tel.	3	92	46	46	92	92	92	92	92	92	100	3									
Tel.	4	92	46	92	92	46	92	92	92	92	100	4									
Tel.	5	92	46	92	92	46	92	46	92	92	100	5									
No.	7	19	18	8	20	9	21	10	11	22	No.										

99707704561

Operation and maintenance of this machine must be in compliance with the information provided in the "Operation and Maintenance Manual" supplied with this machine.



Counterweight 49,163 lbs

Working radius [ft]		Lifting capacities in 1,000 lbs according per SAE J765, at telescopic boom On outriggers, 360° working area Outriggers half extended, outrigger base 16.40ft										Working radius [ft]								
		Boom length [ft]																		
		36.4	48.6	48.6	60.7	60.7	60.7	60.7	72.5	72.5										
8.2	71	220.0*												8.2						
9.8	69	179.9*	153.0	75	143.3	75	77.2	78	143.3	78	110.2	78	77.2	78	66.6	79	110.2	79	110.2	9.8
11.5	66	164.5*	137.8	73	136.7	73	77.2	77	135.8	77	110.2	77	77.2	77	61.9	79	110.2	79	110.2	11.5
13.1	63	150.6	125.0	70	123.9	70	77.2	75	123.0	75	110.2	75	77.2	75	57.8	78	110.2	78	110.2	13.1
14.8	60	138.0	114.2	68	113.1	68	75.2	73	112.2	73	110.2	73	77.2	73	54.2	77	103.2	77	110.2	14.8
16.4	56	127.4	104.7	66	103.6	66	71.4	72	102.7	72	104.1	72	77.2	72	51.1	75	97.0	75	102.7	16.4
19.7	50	110.2	89.5	62	88.4	62	65.0	68	83.1	68	85.3	68	71.4	68	45.9	73	78.7	73	81.1	19.7
23.0	42	93.7	74.1	57	72.1	57	59.7	65	67.2	65	69.2	65	66.1	65	41.4	70	64.2	70	66.6	23.0
26.2	32	80.7	58.6	52	56.7	52	55.3	61	55.3	61	57.3	61	61.7	61	37.9	67	53.6	67	55.8	26.2
29.5	15	54.9	48.1	46	46.1	46	50.5	57	44.8	57	46.5	57	51.8	57	34.8	64	45.4	64	47.4	29.5
32.8				40	38.4	40	42.5	53	37.0	53	38.8	53	43.7	53	32.4	61	37.7	61	39.7	32.8
36.1				33	32.6	33	36.6	49	31.3	49	32.8	49	37.7	49	30.2	58	31.7	58	33.7	36.1
39.4				23	28.0	23	31.7	45	26.7	45	28.2	45	32.8	45	28.2	55	27.1	55	29.1	39.4
45.9							34	19.8	34	21.4	34	25.8	34	25.1	48	20.3	48	22.0	45.9	
52.5							17	15.2	17	16.5	17	20.7	17	20.7	39	15.4	39	17.2	52.5	
59.1															29	11.9	29	13.7	59.1	
65.6															10	9.3	10	11.0	65.6	
72.2																			72.2	
78.7																			78.7	
85.3																			85.3	
91.9																			91.9	
98.4																			98.4	
105.0																			105.0	
111.5																			111.5	
118.1																			118.1	
124.7																			124.7	
131.2																			131.2	
137.8																			137.8	
Tel.		Telescoping sequence [%]										Tel.								
1	0		46	0		92	46	0		0		92	46	0		46	46	2	1	
2	0		0	0		0	46	0		0		46	46	0		46	46	3	2	
3	0		0	0		0	0	0		0		0	0	0		0	46	3	3	
4	0		0	0		0	0	46		0		0	0	0		0	0	4	4	
5	0		0	46		0	0	46		92		0	0	0		27	0	5	5	
No.	1		23	2		24	25	12		3		26	27			27		No.		

1) Over rear with superstructure locking pin engaged and additional equipment. 99707704562
 * With additional lifting equipment
 Operation and maintenance of this machine must be in compliance with the information provided in the "Operation and Maintenance Manual" supplied with this machine

Counterweight 49,163 lbs

Working radius [ft]		Lifting capacities in 1,000 lbs according per SAE J765, at telescopic boom On outriggers, 360° working area Outriggers half extended, outrigger base 16.40ft										Working radius [ft]								
		Boom length [ft]																		
		72.5	72.5	84.6	84.6	84.6	96.8	96.8	96.8	108.9	108.9									
8.2																			8.2	
9.8																			9.8	
11.5	79	77.2	79	65.3															11.5	
13.1	78	77.2	78	61.5	80	91.0	80	75.4	80	55.8									13.1	
14.8	77	77.2	77	58.2	79	90.2	79	75.4	79	53.4									14.8	
16.4	75	77.2	75	55.1	78	86.4	78	75.4	78	50.9	80	69.7	80	62.8	80	48.5			16.4	
19.7	73	75.4	73	49.8	76	75.4	76	75.4	76	47.0	78	68.6	78	62.8	78	46.3	79	52.5	79	46.1
23.0	70	70.3	70	45.6	73	61.9	73	67.5	73	43.0	76	60.4	76	62.8	76	43.2	78	52.5	78	46.1
26.2	67	60.6	67	42.1	71	52.2	71	57.3	71	39.7	74	51.1	74	53.8	74	40.3	76	50.5	76	46.1
29.5	64	51.8	64	39.0	69	44.5	69	49.6	69	36.6	72	44.1	72	46.7	72	37.5	74	43.9	74	45.9
32.8	61	43.9	61	36.4	66	38.6	66	43.4	66	34.2	70	38.4	70	41.0	70	34.8	73	38.4	73	40.6
36.1	58	37.7	58	34.2	64	32.8	64	37.3	64	32.0	68	34.0	68	36.4	68	32.6	71	34.0	71	36.2
39.4	55	32.8	55	32.2	61	28.2	61	32.4	61	30.0	65	29.3	65	31.5	65	30.6	69	30.4	69	32.4
45.9	48	25.8	48	26.9	55	21.2	55	25.4	55	26.5	61	22.3	61	24.5	61	27.1	65	23.6	65	25.4
52.5	39	20.7	39	21.8	49	16.3	49	20.3	49	21.8	56	17.4	56	19.4	56	22.0	61	18.7	61	20.5
59.1	29	17.2	29	18.1	43	12.8	43	16.5	43	18.1	51	13.9	51	15.9	51	18.3	57	15.0	57	16.8
65.6	10	14.3	10	15.2	35	9.9	35	13.9	35	15.2	45	11.0	45	13.0	45	15.4	52	12.1	52	13.9
72.2					25	7.9	25	11.5	25	13.0	39	8.8	39	10.8	39	13.2	47	9.9	47	11.5
78.7											31	7.1	31	8.8	31	11.2	42	8.2	42	9.7
85.3											22	5.5	22	7.5	22	9.9	36	6.6	36	8.2
91.9																	29	5.3	29	6.8
98.4																	18	4.2	18	6.0
105.0																			105.0	
111.5																			111.5	
118.1																			118.1	
124.7																			124.7	
131.2																			131.2	
137.8																			137.8	
Tel.		Telescoping sequence [%]										Tel.								
1	0		0	92	0		0	92	46	0		92	46	0		92	46	1		
2	0		0	46	46		0	46	46	0		46	46	0		46	46	2		
3	46		0	46	46		0	46	46	46		46	46	46		46	46	3		
4	46		46	0	46		92	46	46	46		92	46	46		46	46	4		
5	46		92	0	46		92	0	46	92		46	92	46		46	92	5		
No.	13		4	28	14		5	29	15	6		16	17			16		No.		

Operation and maintenance of this machine must be in compliance with the information provided in the "Operation and Maintenance Manual" supplied with this machine



Counterweight 36,376 lbs

Working radius [ft]		Lifting capacities in 1,000 lbs according per SAE J765, at telescopic boom On outriggers, 360° working area														Working radius [ft]				
		Outriggers fully extended, outrigger base 23.62ft																		
		Boom length [ft]																		
		36.4	48.6	48.6	60.7	60.7	60.7	60.7	72.5	72.5										
		∠	∠	∠	∠	∠	∠	∠	∠	∠										
8.2	71	220.0°															8.2			
9.8	69	179.9°	168.7°	75	143.3	75	77.2	78	143.3	78	110.2	78	77.2	78	66.6		9.8			
11.5	66	163.4°	153.4°	73	143.3	73	77.2	77	139.3	77	110.2	77	77.2	77	61.9	79	110.2	79	110.2	11.5
13.1	63	148.8°	140.4°	70	139.3	70	77.2	75	130.5	75	110.2	75	77.2	75	57.8	78	110.2	78	110.2	13.1
14.8	60	136.5°	129.0°	68	127.9	68	75.2	73	122.6	73	110.2	73	77.2	73	54.2	77	103.2	77	110.2	14.8
16.4	56	126.1°	119.0°	66	117.9	66	71.4	72	115.3	72	110.2	72	77.2	72	51.1	75	97.0	75	110.2	16.4
19.7	50	105.8°	102.5°	62	101.2	62	65.0	68	100.3	68	101.6	68	71.4	68	45.9	73	86.6	73	101.2	19.7
23.0	42	89.3°	87.7°	57	86.6	57	59.7	65	85.8	65	86.9	65	66.1	65	41.4	70	78.3	70	86.0	23.0
26.2	32	76.9°	76.5°	52	75.6	52	55.3	61	72.3	61	75.0	61	61.7	61	37.9	67	69.2	67	71.6	26.2
29.5	15	54.9°	52.9°	46	62.8	46	51.8	57	60.6	57	62.6	57	57.8	57	34.8	64	60.6	64	62.6	29.5
32.8				40	52.5	40	48.7	53	51.8	53	52.9	53	54.7	53	32.4	61	51.6	61	53.1	32.8
36.1				33	44.8	33	46.1	49	43.4	49	45.0	49	49.2	49	30.2	58	43.4	58	45.2	36.1
39.4				23	38.6	23	42.5	45	37.3	45	38.8	45	43.4	45	28.2	55	37.7	55	39.7	39.4
45.9								34	28.4	34	30.0	34	34.2	34	25.1	48	28.9	48	30.4	45.9
52.5								17	22.3	17	23.8	17	27.8	17	22.9	39	22.7	39	24.3	52.5
59.1															29	17.9	29	19.8	59.1	
65.6															10	14.3	10	16.3	65.6	
72.2																			72.2	
78.7																			78.7	
85.3																			85.3	
91.9																			91.9	
98.4																			98.4	
105.0																			105.0	
111.5																			111.5	
118.1																			118.1	
124.7																			124.7	
131.2																			131.2	
137.8																			137.8	
144.4																			144.4	
150.9																			150.9	
157.5																			157.5	
Tel.		Telescoping sequence [%]														Tel.				
1	0		46	0		92	46	0		0		92	46	0		46	46	1		
2	0		0	0		0	46	0		0		46	46	2						
3	0		0	0		0	0	0		0		0	46	3						
4	0		0	0		0	0	46		0		0	0	4						
5	0		0	46		0	0	46	92	0		0	0	5						
No.	1		23	2		24	25	12		3		26	27	No.						

1) Over rear with superstructure locking pin engaged and additional equipment.

* With additional lifting equipment

Operation and maintenance of this machine must be in compliance with the information provided in the "Operation and Maintenance Manual" supplied with this machine

99707704563

Counterweight 36,376 lbs

Working radius [ft]		Lifting capacities in 1,000 lbs according per SAE J765, at telescopic boom On outriggers, 360° working area														Working radius [ft]					
		Outriggers fully extended, outrigger base 23.62ft																			
		Boom length [ft]																			
		72.5	72.5	84.6	84.6	84.6	96.8	96.8	96.8	108.9	108.9										
		∠	∠	∠	∠	∠	∠	∠	∠	∠	∠										
8.2																			8.2		
9.8																			9.8		
11.5	79	77.2	79	65.3															11.5		
13.1	78	77.2	78	61.5	80	91.0	80	75.4	80	55.8									13.1		
14.8	77	77.2	77	58.2	79	90.2	79	75.4	79	53.4									14.8		
16.4	75	77.2	75	55.1	78	86.4	78	75.4	78	50.9	80	69.7	80	62.8	80	48.5			16.4		
19.7	73	75.4	73	49.8	76	77.2	76	75.4	76	47.0	78	68.6	78	62.8	78	46.3	79	52.5	79	46.1	19.7
23.0	70	70.3	70	45.6	73	69.4	73	73.0	73	43.0	76	63.5	76	62.8	76	43.2	78	52.5	78	46.1	23.0
26.2	67	65.9	67	42.1	71	63.1	71	68.8	71	39.7	74	58.0	74	62.8	74	40.3	76	52.0	76	46.1	26.2
29.5	64	62.2	64	39.0	69	57.3	69	62.6	69	36.6	72	53.1	72	59.1	72	37.5	74	48.5	74	45.9	29.5
32.8	61	57.1	61	36.4	66	49.6	66	54.7	66	34.2	70	48.9	70	51.6	70	34.8	73	45.4	73	43.4	32.8
36.1	58	50.0	58	34.2	64	43.9	64	47.0	64	32.0	68	43.2	68	45.6	68	32.6	71	42.5	71	41.2	36.1
39.4	55	43.7	55	32.2	61	38.8	61	40.8	61	30.0	65	37.5	65	39.9	65	30.6	69	38.6	69	39.2	39.4
45.9	48	34.4	48	28.9	55	29.5	55	31.7	55	26.5	61	28.7	61	31.1	61	27.3	65	30.0	65	32.0	45.9
52.5	39	28.0	39	26.2	49	23.4	49	25.6	49	23.8	56	23.6	56	26.0	56	24.7	61	24.9	61	26.9	52.5
59.1	29	23.1	29	23.4	43	19.0	43	21.8	43	21.4	51	19.6	51	21.6	51	22.3	57	20.7	57	22.5	59.1
65.6	10	19.6	10	20.5	35	15.0	35	18.7	35	19.6	45	16.1	45	18.3	45	20.1	52	17.2	52	19.0	65.6
72.2					25	12.1	25	16.3	25	17.9	39	13.4	39	15.4	39	17.9	47	14.6	47	16.3	72.2
78.7											31	11.0	31	13.0	31	15.4	42	12.1	42	13.9	78.7
85.3											22	9.0	22	11.0	22	13.7	36	9.9	36	11.9	85.3
91.9																29	8.2	29	10.1	91.9	
98.4																18	7.1	18	8.8	98.4	
105.0																				105.0	
111.5																				111.5	
118.1																				118.1	
124.7																				124.7	
131.2																				131.2	
137.8																				137.8	
144.4																				144.4	
150.9																				150.9	
157.5																				157.5	
Tel.		Telescoping sequence [%]														Tel.					
1	0			92	0		0	92	46	0		92	46	1							
2	0		0	46	46	0		46	46	0		46	46	2							
3	46		0	46	46	0		46	46	46		46	46	3							
4	46		46	0	46	92		46	46	46		46	46	4							
5	46		92	0	46	92	0	46	92	46		92	46	5							
No.	13		4	28	14	5		29	15	6		16	17	No.							

Operation and maintenance of this machine must be in compliance with the information provided in the "Operation and Maintenance Manual" supplied with this machine

99707704563



Counterweight 36,376 lbs

Counterweight 36,376 lbs On outriggers, 360° working area Outriggers half extended, outrigger base 16.40ft																					
Boom length [ft]																					
	36.4	48.6	48.6	60.7	60.7	60.7	60.7	72.5	72.5												
	∠	∠	∠	∠	∠	∠	∠	∠	∠												
8.2	71	220.0 ¹⁾									8.2										
9.8	69	179.9 ¹⁾	150.4	75	143.3	75	77.2	78	143.3	78	110.2	78	77.2	78	66.6						9.8
11.5	66	163.4 ¹⁾	135.1	73	134.3	73	77.2	77	133.4	77	110.2	77	77.2	77	61.9	79	110.2	79	110.2	110.2	11.5
13.1	63	148.8	122.6	70	121.5	70	77.2	75	120.6	75	110.2	75	77.2	75	57.8	78	110.2	78	110.2	13.1	
14.8	60	136.5	111.8	68	110.5	68	75.2	73	104.3	73	106.9	73	77.2	73	54.2	77	96.6	77	99.4	14.8	
16.4	56	126.1	102.3	66	99.4	66	71.4	72	89.7	72	92.2	72	77.2	72	51.1	75	83.8	75	86.6	16.4	
19.7	50	105.8	82.2	62	76.1	62	65.0	68	69.2	68	71.4	68	71.4	68	45.9	73	65.5	73	68.1	19.7	
23.0	42	89.3	61.5	57	59.5	57	59.7	65	55.6	65	57.5	65	63.5	65	41.4	70	52.9	70	55.3	23.0	
26.2	32	76.9	48.5	52	46.5	52	51.1	61	45.2	61	47.0	61	52.5	61	37.9	67	43.9	67	46.3	26.2	
29.5	15	54.9	39.5	46	37.5	46	41.9	57	36.2	57	37.9	57	43.2	57	34.8	64	36.8	64	38.8	29.5	
32.8				40	30.9	40	35.1	53	29.8	53	31.3	53	36.4	53	32.4	61	30.2	61	32.2	32.8	
36.1				33	26.0	33	30.0	49	24.7	49	26.2	49	31.1	49	30.2	58	25.4	58	27.1	36.1	
39.4				23	22.0	23	25.8	45	20.7	45	22.3	45	26.9	45	26.9	55	21.4	55	23.1	39.4	
45.9								34	15.0	34	16.5	34	20.7	34	20.9	48	15.4	48	17.2	45.9	
52.5								17	11.0	17	12.3	17	16.5	17	16.5	39	11.5	39	13.0	52.5	
59.1																29	8.4	29	9.9	59.1	
65.6																10	6.2	10	7.7	65.6	
72.2																				72.2	
78.7																				78.7	
85.3																				85.3	
91.9																				91.9	
98.4																				98.4	
105.0																				105.0	
111.5																				111.5	
118.1																				118.1	
124.7																				124.7	
Telescoping sequence [%]																					
Tel.	1	0	46	0	92	46	0	0	92	46	1										
	2	0	0	0	0	46	0	0	46	46	2										
	3	0	0	0	0	0	0	0	0	46	3										
	4	0	0	0	0	0	46	0	0	0	4										
	5	0	0	46	0	0	46	92	0	0	5										
No.	1	23	2	24	25	12	3	26	27	No.											

1) Over rear with superstructure locking pin engaged and additional equipment.
 * With additional lifting equipment.
 Operation and maintenance of this machine must be in compliance with the information provided in the "Operation and Maintenance Manual" supplied with this machine.

Counterweight 36,376 lbs

Lifting capacities in 1,000 lbs according per SAE J765, at telescopic boom On outriggers, 360° working area Outriggers half extended, outrigger base 16.40ft											
Working radius [ft]											
Boom length [ft]											
	72.5	72.5	84.6	84.6	84.6	96.8	96.8	96.8	108.9	108.9	
	∠	∠	∠	∠	∠	∠	∠	∠	∠	∠	
8.2											8.2
9.8											9.8
11.5	79	77.2	79	65.3							11.5
13.1	78	77.2	78	61.5	80	91.0	80	75.4	80	55.8	13.1
14.8	77	77.2	77	58.2	79	90.2	79	75.4	79	53.4	14.8
16.4	75	77.2	75	55.1	78	79.4	78	75.4	78	50.9	16.4
19.7	73	73.4	73	49.8	76	62.8	76	68.6	76	47.0	19.7
23.0	70	60.4	70	45.6	73	51.4	73	56.7	73	43.0	23.0
26.2	67	50.9	67	42.1	71	43.0	71	48.1	71	39.7	26.2
29.5	64	43.2	64	39.0	69	36.4	69	41.4	69	36.6	29.5
32.8	61	36.4	61	36.4	66	31.3	66	35.9	66	34.2	32.8
36.1	58	31.1	58	32.2	64	26.2	64	30.6	64	32.0	36.1
39.4	55	27.1	55	28.0	61	22.3	61	26.5	61	28.2	39.4
45.9	48	20.9	48	21.8	55	16.3	55	20.5	55	22.0	45.9
52.5	39	16.5	39	17.6	49	12.1	49	16.1	49	17.6	52.5
59.1	29	13.4	29	14.3	43	9.0	43	13.0	43	14.6	59.1
65.6	10	11.0	10	12.1	35	6.8	35	10.6	35	12.1	65.6
72.2				25	5.1	25	8.6	25	10.1		72.2
78.7										31	78.7
85.3										22	85.3
91.9										3.1	91.9
98.4										5.1	98.4
105.0										2.2	105.0
111.5											111.5
118.1											118.1
124.7											124.7
Telescoping sequence [%]											
Tel.	1	0	0	92	0	0	92	46	0	92	46
	2	0	0	46	46	0	46	46	0	46	46
	3	46	0	46	46	0	46	46	46	46	46
	4	46	46	0	46	92	46	46	92	46	46
	5	46	92	0	46	92	0	46	92	46	92
No.	13	4	28	14	5	29	15	6	16	17	No.

Operation and maintenance of this machine must be in compliance with the information provided in the "Operation and Maintenance Manual" supplied with this machine.



Counterweight 36,376 lbs

Working radius [ft]		Lifting capacities in 1,000 lbs according per SAE J765, at telescopic boom																Working radius [ft]						
		On outriggers, 360° working area																						
		Outriggers half extended, outrigger base 16.40ft																						
		Boom length [ft]																						
		108.9		121.1		121.1		121.1		132.9		132.9		145.0		145.0		157.2		168.0				
		°		°		°		°		°		°		°		°		°		°				
8.2																						8.2		
9.8																							9.8	
11.5																							11.5	
13.1																							13.1	
14.8																							14.8	
16.4																							16.4	
19.7	79	38.1																					19.7	
23.0	78	38.1	79	43.4	79	35.5	79	32.6	80	34.8	80	28.4											23.0	
26.2	76	35.5	78	40.1	78	35.5	78	32.6	79	34.8	79	28.4	80	28.4	80	24.3							26.2	
29.5	74	33.1	77	34.6	77	35.5	77	32.6	78	33.7	78	28.4	79	28.4	79	24.3	80	22.5					29.5	
32.8	73	30.9	75	30.2	75	33.1	75	31.1	77	29.5	77	28.4	78	28.4	78	24.3	79	22.5	80	19.6			32.8	
36.1	71	28.9	73	26.7	73	29.5	73	29.3	75	26.2	75	28.4	77	25.8	77	24.3	78	22.5	79	19.6			36.1	
39.4	69	27.1	72	23.6	72	26.5	72	27.3	74	23.4	74	25.8	76	23.1	76	24.3	77	22.5	78	19.6			39.4	
45.9	65	22.0	68	18.5	68	21.2	68	21.8	71	18.7	71	21.2	73	18.7	73	20.1	75	18.7	76	18.3			45.9	
52.5	61	17.6	65	14.3	65	16.8	65	17.4	68	14.8	68	17.0	71	15.2	71	16.5	73	15.4	74	15.2			52.5	
59.1	57	14.6	61	11.2	61	13.4	61	14.3	65	11.5	65	13.7	68	11.9	68	13.4	70	12.8	72	12.6			59.1	
65.6	52	11.9	57	8.8	57	11.0	57	11.9	62	9.0	62	11.2	65	9.5	65	11.0	68	10.4	70	10.1			65.6	
72.2	47	9.9	53	6.8	53	9.0	53	9.9	58	7.3	58	9.3	62	7.7	62	9.0	65	8.4	67	8.4			72.2	
78.7	42	8.4	49	5.3	49	7.5	49	8.2	54	5.7	54	7.7	59	6.0	59	7.5	62	6.6	65	6.6			78.7	
85.3	36	7.1	44	4.0	44	6.2	44	6.8	50	4.4	50	6.4	55	4.9	55	6.2	59	5.5	62	5.3			85.3	
91.9	29	6.0	39	2.9	39	5.1	39	5.7	46	3.3	46	5.3	52	3.7	52	5.1	56	4.4	60	4.2			91.9	
98.4	18	5.1	33	2.0	33	4.2	33	4.9	42	2.4	42	4.4	48	2.6	48	4.0	53	3.3	57	3.3			98.4	
105.0			26	1.3	26	3.3	26	4.2	37	1.5	37	3.5	44	2.0	44	3.3	50	2.6	54	2.4			105.0	
111.5					16	2.6	16	3.3				31	2.9	40	1.3	40	2.4	46	1.8	50	1.8			111.5
118.1												24	2.2			35	1.8	42	1.1	47	1.1			118.1
124.7												13	1.8			29	1.3							124.7
Tel.		Telescoping sequence [%]																Tel.						
1	0		92		46		0		92		0		92		46		92		100				1	
2	0		92		46		46		92		92		92		92		92		100				2	
3	92		46		46		92		92		92		92		92		92		100				3	
4	92		46		92		92		46		92		92		92		92		100				4	
5	92		46		92		92		46		92		46		92		92		100				5	
No.	7		19		18		8		20		9		21		10		11		22				No.	

99707704564

Operation and maintenance of this machine must be in compliance with the information provided in the "Operation and Maintenance Manual" supplied with this machine.



Counterweight 23,369 lbs

Working radius [ft]	Lifting capacities in 1,000 lbs according per SAE J765, at telescopic boom On outriggers, 360° working area Outriggers fully extended, outrigger base 23.62ft																		Working radius [ft]				
	Boom length [ft]																						
	108.9	121.1	121.1	121.1	132.9	132.9	145.0	145.0	157.2	168.0	108.9	121.1	121.1	121.1	132.9	132.9	145.0	145.0		157.2	168.0		
8.2																					8.2		
9.8																						9.8	
11.5																						11.5	
13.1																						13.1	
14.8																						14.8	
16.4																						16.4	
19.7	79	38.1																				19.7	
23.0	78	38.1	79	43.4	79	35.5	79	32.6	80	34.8	80	28.4										23.0	
26.2	76	35.5	78	43.4	78	35.5	78	32.6	79	34.8	79	28.4	80	28.4	80	24.3						26.2	
29.5	74	33.1	77	43.4	77	35.5	77	32.6	78	34.8	78	28.4	79	28.4	79	24.3	80	22.5				29.5	
32.8	73	30.9	75	39.0	75	35.5	75	31.1	77	34.8	77	28.4	78	28.4	78	24.3	79	22.5	80	19.6		32.8	
36.1	71	28.9	73	34.4	73	34.0	73	29.3	75	33.7	75	28.4	77	28.4	77	24.3	78	22.5	79	19.6		36.1	
39.4	69	27.1	72	30.6	72	32.2	72	27.8	74	30.0	74	27.8	76	28.4	76	24.3	77	22.5	78	19.6		39.4	
45.9	65	24.3	68	24.0	68	26.9	68	25.1	71	24.0	71	25.4	73	23.8	73	24.3	75	22.5	76	19.6		45.9	
52.5	61	21.8	65	19.4	65	21.2	65	22.0	68	19.8	68	21.4	71	20.1	71	21.2	73	19.8	74	19.4		52.5	
59.1	57	19.4	61	15.4	61	17.9	61	18.7	65	16.3	65	18.3	68	16.5	68	17.6	70	17.0	72	16.3		59.1	
65.6	52	16.3	57	12.8	57	15.2	57	15.9	62	13.0	62	15.4	65	13.7	65	14.8	68	14.3	70	13.9		65.6	
72.2	47	13.7	53	10.1	53	12.8	53	13.4	58	10.6	58	13.0	62	11.2	62	12.6	65	11.9	67	11.7		72.2	
78.7	42	11.7	49	8.2	49	10.6	49	11.7	54	8.6	54	11.0	59	9.0	59	10.6	62	9.7	65	9.7		78.7	
85.3	36	9.9	44	6.6	44	9.0	44	9.7	50	6.8	50	9.3	55	7.3	55	8.8	59	7.9	62	7.9		85.3	
91.9	29	8.6	39	5.1	39	7.5	39	8.2	46	5.3	46	7.7	52	5.7	52	7.3	56	6.6	60	6.6		91.9	
98.4	18	7.3	33	4.0	33	6.4	33	7.1	42	4.2	42	6.6	48	4.6	48	6.2	53	5.3	57	5.3		98.4	
105.0			26	2.9	26	5.3	26	6.2	37	3.1	37	5.5	44	3.7	44	5.1	50	4.4	54	4.4		105.0	
111.5			16	2.2	16	4.4	16	5.1	31	2.2	31	4.6	40	2.6	40	4.2	46	3.3	50	3.3		111.5	
118.1									24	1.5	24	4.0	35	2.0	35	3.3	42	2.6	47	2.6		118.1	
124.7												13	3.1	29	1.3	29	2.6	38	2.0	44	2.0		124.7
131.2																22	2.2	33	1.3	40	1.3		131.2
137.8																9	1.5						137.8
Tel.	Telescoping sequence [%]																		Tel.				
1	0	92	46	0	92	0	92	46	92	46	92	100	2										
2	0	92	46	46	92	92	92	92	92	92	100	2											
3	92	46	46	92	92	92	92	92	92	92	100	3											
4	92	46	92	92	46	92	92	92	92	92	100	4											
5	92	46	92	92	46	92	46	92	92	92	100	5											
No.	7	19	18	8	20	9	21	10	11	22	No.												

99707704565

Operation and maintenance of this machine must be in compliance with the information provided in the "Operation and Maintenance Manual" supplied with this machine



Counterweight 23,369 lbs

Working radius [ft]	Lifting capacities in 1,000 lbs according per SAE J765, at telescopic boom On outriggers, 360° working area Outriggers half extended, outrigger base 16.40ft															Working radius [ft]				
	Boom length [ft]																			
	36.4	48.6	48.6	60.7	60.7	60.7	60.7	72.5	72.5											
	∠	∠	∠	∠	∠	∠	∠	∠	∠	∠	∠	∠	∠	∠	∠					
8.2	71	220.0*														8.2				
9.8	69	178.8*	147.7	75	143.3	75	77.2	78	143.3	78	110.2	78	77.2	78	66.6	9.8				
11.5	66	161.6*	132.5	73	131.4	73	77.2	77	122.8	77	110.2	77	77.2	77	61.9	79	110.2	79	110.2	11.5
13.1	63	147.3	119.7	70	114.2	70	77.2	75	100.3	75	103.2	75	77.2	75	57.8	78	91.7	78	94.8	13.1
14.8	60	135.1	108.7	68	94.8	68	75.2	73	84.2	73	86.6	73	77.2	73	54.2	77	78.0	77	80.9	14.8
16.4	56	122.8	91.7	66	80.5	66	71.4	72	72.1	72	74.5	72	77.2	72	51.1	75	67.2	75	70.1	16.4
19.7	50	100.8	65.9	62	61.1	62	65.0	68	55.1	68	57.1	68	63.5	68	45.9	73	52.0	73	54.7	19.7
23.0	42	83.6	48.9	57	46.7	57	51.8	65	43.7	65	45.6	65	51.6	65	41.4	70	41.7	70	44.1	23.0
26.2	32	64.8	38.1	52	36.2	52	40.8	61	34.6	61	36.6	61	42.1	61	37.9	67	34.2	67	36.4	26.2
29.5	15	52.2	30.6	46	28.7	46	33.1	57	27.3	57	29.1	57	34.4	57	34.4	64	28.0	64	30.0	29.5
32.8				40	23.4	40	27.6	53	22.0	53	23.8	53	28.7	53	28.7	61	22.7	61	24.5	32.8
36.1				33	19.2	33	23.1	49	17.9	49	19.6	49	24.3	49	24.5	58	18.5	58	20.3	36.1
39.4				23	15.9	23	19.8	45	14.8	45	16.3	45	20.9	45	20.9	55	15.2	55	17.0	39.4
45.9								34	9.9	34	11.5	34	15.9	34	15.9	48	10.6	48	12.1	45.9
52.5								17	6.8	17	8.2	17	12.3	17	12.3	39	7.1	39	8.8	52.5
59.1																29	4.6	29	6.4	59.1
65.6																10	2.9	10	4.4	65.6
72.2																				72.2
78.7																				78.7
85.3																				85.3
91.9																				91.9
98.4																				98.4
105.0																				105.0
111.5																				111.5
Tel.	Telescoping sequence [%]															Tel.				
1	0		46		0		92		46		0		0		92		46		46	1
2	0		0		0		0		46		0		0		46		46		46	2
3	0		0		0		0		0		0		0		0		46		46	3
4	0		0		0		0		0		46		0		0		0		0	4
5	0		0		46		0		0		46		92		0		0		0	5
No.	1		23		2		24		25		12		3		26		27		27	No.

1) Over rear with superstructure locking pin engaged and additional equipmen 99707704566

* With additional lifting equipmen

Operation and maintenance of this machine must be in compliance with the information provided in the "Operation and Maintenance Manual" supplied with this machir

Counterweight 23,369 lbs

Working radius [ft]	Lifting capacities in 1,000 lbs according per SAE J765, at telescopic boom On outriggers, 360° working area Outriggers half extended, outrigger base 16.40ft															Working radius [ft]						
	Boom length [ft]																					
	72.5	72.5	84.6	84.6	84.6	96.8	96.8	96.8	108.9	108.9												
	∠	∠	∠	∠	∠	∠	∠	∠	∠	∠	∠	∠	∠	∠	∠							
8.2																8.2						
9.8																9.8						
11.5	79	77.2	79	65.3												11.5						
13.1	78	77.2	78	61.5	80	85.3	80	75.4	80	55.8						13.1						
14.8	77	77.2	77	58.2	79	73.2	79	75.4	79	53.4						14.8						
16.4	75	75.8	75	55.1	78	63.9	78	70.1	78	50.9	80	61.3	80	62.8	80	48.5				16.4		
19.7	73	60.0	73	49.8	76	50.0	76	55.8	76	47.0	78	48.7	78	51.6	78	46.3	79	47.6	79	46.1	19.7	
23.0	70	48.9	70	45.6	73	40.6	73	45.9	73	43.0	76	39.9	76	42.5	76	43.2	78	39.5	78	41.9	23.0	
26.2	67	41.2	67	42.1	71	33.5	71	38.6	71	39.7	74	33.3	74	35.9	74	39.2	76	33.3	76	35.5	26.2	
29.5	64	34.4	64	35.7	69	28.2	69	33.1	69	35.1	72	28.2	72	30.6	72	34.0	74	28.4	74	30.6	29.5	
32.8	61	28.9	61	30.0	66	23.6	66	28.2	66	30.0	70	24.0	70	26.7	70	29.8	73	24.5	73	26.7	32.8	
36.1	58	24.5	58	25.6	64	19.4	64	23.8	64	25.6	68	20.7	68	23.1	68	26.0	71	21.4	71	23.4	36.1	
39.4	55	20.9	55	22.0	61	16.3	61	20.5	61	22.0	65	17.4	65	19.6	65	22.5	69	18.7	69	20.7	39.4	
45.9	48	15.9	48	17.0	55	11.5	55	15.4	55	17.0	61	12.6	61	14.6	61	17.4	65	13.7	65	15.7	45.9	
52.5	39	12.3	39	13.4	49	7.9	49	11.9	49	13.4	56	9.0	56	11.0	56	13.7	61	10.1	61	11.9	52.5	
59.1	29	9.7	29	10.8	43	5.5	43	9.3	43	10.8	51	6.4	51	8.6	51	11.0	57	7.7	57	9.5	59.1	
65.6	10	7.9	10	8.8	35	3.5	35	7.3	35	8.8	45	4.6	45	6.4	45	9.0	52	5.7	52	7.3	65.6	
72.2					25	2.0	25	5.7	25	7.3	39	3.1	39	4.9	39	7.3	47	4.2	47	5.7	72.2	
78.7											31	1.8	31	3.7	31	6.0	42	2.9	42	4.4	78.7	
85.3																22	2.6	22	5.1	36	1.8	85.3
91.9																				29	2.4	91.9
98.4																				18	1.8	98.4
105.0																						105.0
111.5																						111.5
Tel.	Telescoping sequence [%]															Tel.						
1	0		0		92		0		92		46		0		92		46		46	1		
2	0		0		46		46		0		46		46		0		46		46	2		
3	46		0		46		46		0		46		46		46		46		46	3		
4	46		46		0		46		92		46		46		92		46		46	4		
5	46		92		0		46		92		0		46		92		46		92	5		
No.	13		4		28		14		5		29		15		6		16		17	No.		

99707704566

Operation and maintenance of this machine must be in compliance with the information provided in the "Operation and Maintenance Manual" supplied with this machir

Counterweight 23,369 lbs

Working radius [ft]	Lifting capacities in 1,000 lbs according per SAE J765, at telescopic boom On outriggers, 360° working area Outriggers half extended, outrigger base 16.40ft														Working radius [ft]						
	Boom length [ft]																				
	108.9	121.1	121.1	121.1	132.9	132.9	145.0	145.0	157.2	168.0											
8.2																	8.2				
9.8																	9.8				
11.5																	11.5				
13.1																	13.1				
14.8																	14.8				
16.4																	16.4				
19.7	79	38.1															19.7				
23.0	78	38.1	79	37.5	79	35.5	79	32.6	80	34.8	80	28.4					23.0				
26.2	76	35.5	78	31.7	78	34.6	78	32.6	79	30.6	79	28.4	80	28.4	80	24.3	26.2				
29.5	74	32.4	77	27.1	77	30.0	77	30.9	78	26.5	78	28.4	79	26.0	79	24.3	80	22.5	29.5		
32.8	73	28.4	75	23.4	75	26.2	75	27.1	77	22.9	77	25.6	78	22.7	78	24.3	79	22.5	80	19.6	32.8
36.1	71	25.1	73	20.5	73	23.1	73	24.0	75	20.1	75	22.7	77	19.8	77	21.6	78	20.1	79	19.4	36.1
39.4	69	22.3	72	17.9	72	20.7	72	21.6	74	17.6	74	20.3	76	17.6	76	19.2	77	17.9	78	17.2	39.4
45.9	65	17.0	68	13.7	68	16.1	68	17.0	71	13.9	71	16.3	73	13.9	73	15.4	75	14.1	76	13.7	45.9
52.5	61	13.4	65	10.1	65	12.6	65	13.2	68	10.6	68	12.8	71	11.0	71	12.3	73	11.5	74	11.0	52.5
59.1	57	10.8	61	7.5	61	9.9	61	10.6	65	7.9	65	9.9	68	8.4	68	9.7	70	9.0	72	9.0	59.1
65.6	52	8.8	57	5.5	57	7.7	57	8.6	62	6.0	62	7.9	65	6.4	65	7.7	68	7.1	70	7.1	65.6
72.2	47	7.1	53	4.0	53	6.2	53	6.8	58	4.2	58	6.4	62	4.6	62	6.0	65	5.3	67	5.3	72.2
78.7	42	5.7	49	2.6	49	4.9	49	5.5	54	2.9	54	5.1	59	3.3	59	4.6	62	4.0	65	4.0	78.7
85.3	36	4.6	44	1.5	44	3.7	44	4.4	50	2.0	50	4.0	55	2.4	55	3.7	59	2.9	62	2.9	85.3
91.9	29	3.7			39	2.9	39	3.5	46	1.1	46	3.1	52	1.3	52	2.6	56	2.0	60	2.0	91.9
98.4	18	3.1			33	2.2	33	2.9			42	2.2			48	2.0	53	1.3			98.4
105.0					26	1.5	26	2.2			37	1.5			44	1.3					105.0
111.5					16	1.5					31	1.1									111.5
Tel.	Telescoping sequence [%]														Tel.						
1	0	92	46	0	92	0	92	46	92	100	1										
2	0	92	46	46	92	92	92	92	92	100	2										
3	92	46	46	92	92	92	92	92	92	100	3										
4	92	46	92	92	46	92	92	92	92	100	4										
5	92	46	92	92	46	92	46	92	92	100	5										
No.	7	19	18	8	20	9	21	10	11	22	No.										

99707704566

Operation and maintenance of this machine must be in compliance with the information provided in the "Operation and Maintenance Manual" supplied with this machine



Counterweight 14,330 lbs

Working radius [ft]	Lifting capacities in 1,000 lbs according per SAE J765, at telescopic boom On outriggers, 360° working area Outriggers fully extended, outrigger base 23.62ft										Working radius [ft]											
	Boom length [ft]																					
	108.9 °	121.1 °	121.1 °	121.1 °	132.9 °	132.9 °	145.0 °	145.0 °	157.2 °	168.0 °												
8.2											8.2											
9.8											9.8											
11.5											11.5											
13.1											13.1											
14.8											14.8											
16.4											16.4											
19.7	79	38.1									19.7											
23.0	78	38.1	79	43.4	79	35.5	79	32.6	80	34.8	80	28.4								23.0		
26.2	76	35.5	78	43.4	78	35.5	78	32.6	79	34.8	79	28.4	80	28.4	80	24.3				26.2		
29.5	74	33.1	77	38.4	77	35.5	77	32.6	78	34.8	78	28.4	79	28.4	79	24.3	80	22.5		29.5		
32.8	73	30.9	75	33.1	75	35.5	75	31.1	77	32.2	77	28.4	78	28.4	78	24.3	79	22.5	80	19.6	32.8	
36.1	71	28.9	73	28.9	73	32.0	73	29.3	75	28.2	75	28.4	77	27.8	77	24.3	78	22.5	79	19.6	36.1	
39.4	69	27.1	72	25.4	72	28.2	72	27.8	74	24.9	74	27.6	76	24.7	76	24.3	77	22.5	78	19.6	39.4	
45.9	65	24.3	68	21.2	68	23.8	68	24.7	71	20.7	71	22.9	73	20.7	73	21.2	75	19.8	76	19.2	45.9	
52.5	61	19.6	65	16.3	65	18.7	65	19.6	68	16.8	68	19.0	71	17.0	71	18.5	73	17.2	74	16.8	52.5	
59.1	57	16.1	61	12.6	61	15.2	61	15.9	65	12.8	65	15.4	68	13.4	68	15.0	70	14.3	72	14.1	59.1	
65.6	52	13.2	57	9.7	57	12.3	57	13.0	62	9.9	62	12.6	65	10.4	65	12.1	68	11.5	70	11.5	65.6	
72.2	47	11.2	53	7.5	53	9.9	53	11.0	58	7.7	58	10.1	62	8.2	62	9.9	65	9.0	67	9.0	72.2	
78.7	42	9.3	49	5.5	49	8.2	49	9.0	54	6.2	54	8.2	59	6.6	59	7.9	62	7.3	65	7.3	78.7	
85.3	36	7.7	44	4.2	44	6.6	44	7.5	50	4.6	50	6.8	55	4.9	55	6.6	59	5.7	62	5.5	85.3	
91.9	29	6.6	39	2.9	39	5.3	39	6.4	46	3.1	46	5.5	52	3.7	52	5.3	56	4.4	60	4.4	91.9	
98.4	18	5.3	33	2.0	33	4.4	33	5.1	42	2.2	42	4.6	48	2.6	48	4.2	53	3.3	57	3.3	98.4	
105.0						26	3.3	26	4.4	37	1.5	37	3.7	44	1.8	44	3.1	50	2.4	54	2.4	105.0
111.5						16	2.6	16	3.3			31	2.9			40	2.4	46	1.8	50	1.8	111.5
118.1												24	2.2			35	1.8					118.1
124.7												13	1.8			29	1.3					124.7
Tel.	Telescoping sequence [%]										Tel.											
1	0	92	46	0	92	0	92	46	92	100	1											
2	0	92	46	46	92	92	92	92	92	100	2											
3	92	46	46	92	92	92	92	92	92	100	3											
4	92	46	92	92	46	92	92	92	92	100	4											
5	92	46	92	92	46	92	46	92	92	100	5											
No.	7	19	18	8	20	9	21	10	11	22	No.											

99707704567

Operation and maintenance of this machine must be in compliance with the information provided in the "Operation and Maintenance Manual" supplied with this machine



Counterweight 14,330 lbs

Working radius [ft]	Lifting capacities in 1,000 lbs according per SAE J765, at telescopic boom On outriggers, 360° working area Outriggers half extended, outrigger base 16.40ft																		Working radius [ft]		
	Boom length [ft]																				
	36.4	48.6	48.6	60.7	60.7	60.7	60.7	72.5	72.5												
8.2	71	220.0*																	8.2		
9.8	69	177.2*	145.5	75	143.3	75	77.2	78	132.5	78	110.2	78	77.2	78	66.6				9.8		
11.5	66	160.3*	130.5	73	120.4	73	77.2	77	103.4	77	106.5	77	77.2	77	61.9	79	93.0	79	96.6	11.5	
13.1	63	145.9	112.7	70	96.3	70	77.2	75	84.0	75	86.9	75	77.2	75	57.8	78	76.9	78	80.0	13.1	
14.8	60	132.9	91.9	68	79.6	68	75.2	73	70.3	73	72.8	73	77.2	73	54.2	77	65.0	77	67.9	14.8	
16.4	56	118.6	77.4	66	67.2	66	71.4	72	59.7	72	62.2	72	69.2	72	51.1	75	55.8	75	58.6	16.4	
19.7	50	97.2	54.7	62	50.5	62	56.0	68	45.2	68	47.4	68	53.8	68	45.9	73	42.8	73	45.4	19.7	
23.0	42	72.8	40.1	57	38.1	57	43.0	65	35.5	65	37.5	65	43.4	65	41.4	70	34.0	70	36.2	23.0	
26.2	32	56.0	30.9	52	28.9	52	33.5	61	27.6	61	29.5	61	34.8	61	35.1	67	27.3	67	29.8	26.2	
29.5	15	45.2	24.5	46	22.7	46	27.1	57	21.4	57	23.1	57	28.2	57	28.2	64	22.0	64	24.0	29.5	
32.8				40	18.1	40	22.3	53	16.8	53	18.5	53	23.4	53	23.4	61	17.4	61	19.4	32.8	
36.1				33	14.6	33	18.5	49	13.2	49	15.0	49	19.6	49	19.6	58	13.9	58	15.7	36.1	
39.4				23	11.7	23	15.7	45	10.6	45	12.1	45	16.8	45	16.8	55	11.0	55	13.0	39.4	
45.9								34	6.6	34	7.9	34	12.3	34	12.6	48	7.1	48	8.8	45.9	
52.5								17	3.7	17	5.3	17	9.5	17	9.5	39	4.2	39	6.0	52.5	
59.1																29	2.2	29	3.7	59.1	
65.6																	10		10	2.2	65.6
72.2																				72.2	
78.7																				78.7	
85.3																				85.3	
91.9																				91.9	
98.4																				98.4	
Tel.	Telescoping sequence [%]																		Tel.		
1	0			46				92			46				0		92		46	1	
2	0			0				0		46			0		0		46		46	2	
3	0			0				0		0			0		0		0		46	3	
4	0			0				0		0			46		0		0		0	4	
5	0			0		46		0		0			46		92		0		0	5	
No.	1			23		2		24		25			12		3		26		27	No.	

1) Over rear with superstructure locking pin engaged and additional equipment. 99707704568
 * With additional lifting equipment

Operation and maintenance of this machine must be in compliance with the information provided in the "Operation and Maintenance Manual" supplied with this machine.

Counterweight 14,330 lbs

Working radius [ft]	Lifting capacities in 1,000 lbs according per SAE J765, at telescopic boom On outriggers, 360° working area Outriggers half extended, outrigger base 16.40ft																		Working radius [ft]			
	Boom length [ft]																					
	72.5	72.5	84.6	84.6	84.6	96.8	96.8	96.8	108.9	108.9												
8.2																				8.2		
9.8																				9.8		
11.5	79	77.2	79	65.3																11.5		
13.1	78	77.2	78	61.5	80	71.6	80	75.4	80	55.8										13.1		
14.8	77	74.1	77	58.2	79	61.3	79	67.7	79	53.4										14.8		
16.4	75	64.4	75	55.1	78	53.1	78	59.3	78	50.9	80	51.1	80	54.2	80	48.5				16.4		
19.7	73	50.7	73	49.8	76	41.2	76	47.0	76	47.0	78	40.3	78	43.2	78	46.3	79	39.7	79	42.1	19.7	
23.0	70	41.2	70	42.5	73	33.1	73	38.4	73	40.6	76	32.6	76	35.5	76	39.0	78	32.6	78	34.8	23.0	
26.2	67	34.4	67	35.7	71	27.1	71	32.2	71	34.2	74	26.9	74	29.8	74	33.1	76	27.1	76	29.5	26.2	
29.5	64	28.4	64	29.5	69	22.5	69	27.3	69	29.3	72	22.7	72	25.1	72	28.4	74	22.9	74	25.1	29.5	
32.8	61	23.6	61	24.7	66	18.3	66	22.9	66	24.7	70	19.2	70	21.6	70	24.7	73	19.6	73	21.8	32.8	
36.1	58	19.8	58	20.9	64	14.8	64	19.2	64	20.9	68	16.1	68	18.3	68	21.4	71	17.0	71	19.0	36.1	
39.4	55	16.8	55	17.9	61	12.1	61	16.3	61	18.1	65	13.2	65	15.4	65	18.3	69	14.6	69	16.5	39.4	
45.9	48	12.6	48	13.4	55	7.9	55	11.9	55	13.7	61	9.0	61	11.2	61	13.9	65	10.4	65	12.1	45.9	
52.5	39	9.5	39	10.4	49	5.1	49	9.0	49	10.6	56	6.2	56	8.2	56	10.8	61	7.3	61	9.0	52.5	
59.1	29	7.3	29	8.2	43	2.9	43	6.8	43	8.2	51	4.0	51	6.0	51	8.6	57	5.1	57	6.8	59.1	
65.6	10	5.5	10	6.6	35	1.3	35	5.1	35	6.4	45	2.2	45	4.2	45	6.8	52	3.3	52	5.1	65.6	
72.2							25	3.7	25	5.1				39	2.9	39	5.3	47	2.0	47	3.7	72.2
78.7														31	1.8	31	4.2			42	2.6	78.7
85.3																22	3.3			36	1.8	85.3
91.9																						91.9
98.4																						98.4
Tel.	Telescoping sequence [%]																		Tel.			
1	0			92				0			92			46		0		92		46	1	
2	0			46		46		0		46		46		46		0		46		46	2	
3	46			46		46		0		46		46		46		46		46		46	3	
4	46		46		0		46		92		46		46		92		46		46		4	
5	46		92		0		46		92		0		46		92		46		92		5	
No.	13		4		28		14		5		29		15		6		16		17		No.	

99707704568

Operation and maintenance of this machine must be in compliance with the information provided in the "Operation and Maintenance Manual" supplied with this machine.



Counterweight 14,330 lbs

Working radius [ft]	Lifting capacities in 1,000 lbs according per SAE J765, at telescopic boom On outriggers, 360° working area Outriggers half extended, outrigger base 16.40ft												Working radius [ft]
	Boom length [ft]												
	108.9 °	121.1 °	121.1 °	121.1 °	132.9 °	132.9 °	145.0 °	145.0 °	157.2 °	168.0 °			
8.2													8.2
9.8													9.8
11.5													11.5
13.1													13.1
14.8													14.8
16.4													16.4
19.7	79	38.1											19.7
23.0	78	36.8	79	30.9	79	34.0	79	32.6	80	29.8	80	28.4	23.0
26.2	76	31.3	78	25.8	78	28.9	78	29.8	79	25.1	79	27.8	26.2
29.5	74	26.9	77	21.8	77	24.7	77	25.8	78	21.4	78	24.0	29.5
32.8	73	23.6	75	18.7	75	21.6	75	22.5	77	18.3	77	20.9	32.8
36.1	71	20.7	73	16.1	73	19.0	73	19.8	75	15.9	75	18.5	36.1
39.4	69	18.1	72	13.9	72	16.8	72	17.6	74	13.7	74	16.3	39.4
45.9	65	13.7	68	10.1	68	12.6	68	13.4	71	10.4	71	12.8	45.9
52.5	61	10.6	65	7.3	65	9.5	65	10.4	68	7.5	68	9.7	52.5
59.1	57	8.2	61	5.1	61	7.3	61	7.9	65	5.3	65	7.5	59.1
65.6	52	6.4	57	3.3	57	5.5	57	6.2	62	3.5	62	5.7	65.6
72.2	47	5.1	53	2.0	53	4.2	53	4.9	58	2.2	58	4.4	72.2
78.7	42	4.0			49	3.1	49	3.7			54	3.3	78.7
85.3	36	3.1			44	2.2	44	2.9			50	2.2	85.3
91.9	29	2.2			39	1.3	39	2.0			46	1.5	91.9
98.4	18	1.5					33	1.3					98.4
Tel.	Telescopic sequence [%]												Tel.
1	0	92	46	0	92	0	92	46	92	46	92	100	1
2	0	92	46	46	92	92	92	92	92	92	92	100	2
3	92	46	46	92	92	92	92	92	92	92	92	100	3
4	92	46	92	92	92	46	92	92	92	92	92	100	4
5	92	46	92	92	46	92	92	46	92	92	92	100	5
No.	7	19	18	8	20	9	21	10	11	22	No.		

99707704568

Operation and maintenance of this machine must be in compliance with the information provided in the "Operation and Maintenance Manual" supplied with this machine



Counterweight 12,125 lbs

Working radius [ft]	Lifting capacities in 1,000 lbs according per SAE J765, at telescopic boom On outriggers, 360° working area Outriggers fully extended, outrigger base 23.62ft														Working radius [ft]					
	Boom length [ft]																			
	36.4		48.6		48.6		60.7		60.7		60.7		72.5			72.5				
	∠	°	∠	°	∠	°	∠	°	∠	°	∠	°	∠	°	∠	°				
8.2	71	220.0 ¹⁾															8.2			
9.8	69	177.0 [*]	166.2 [*]	75	143.3	75	77.2	78	143.3	78	110.2	78	77.2	78	66.6		9.8			
11.5	66	159.8 [*]	150.6	73	143.3	73	77.2	77	139.3	77	110.2	77	77.2	77	61.9	79	110.2	79	110.2	11.5
13.1	63	145.7	137.3	70	136.2	70	77.2	75	130.5	75	110.2	75	77.2	75	57.8	78	110.2	78	110.2	13.1
14.8	60	131.2	125.2	68	124.1	68	75.2	73	121.5	73	110.2	73	77.2	73	54.2	77	103.2	77	110.2	14.8
16.4	56	117.1	113.5	66	112.2	66	71.4	72	102.3	72	105.2	72	77.2	72	51.1	75	94.8	75	97.9	16.4
19.7	50	99.0	95.2	62	86.2	62	65.0	68	77.8	68	79.1	68	71.4	68	45.9	73	72.1	73	76.1	19.7
23.0	42	72.5	71.6	57	69.4	57	59.7	65	61.9	65	63.5	65	66.1	65	41.4	70	58.6	70	61.5	23.0
26.2	32	56.0	55.3	52	53.1	52	55.3	61	51.8	61	53.6	61	59.5	61	37.9	67	48.7	67	50.9	26.2
29.5	15	45.2	44.5	46	42.5	46	47.0	57	41.0	57	43.0	57	48.3	57	34.8	64	41.7	64	43.9	29.5
32.8				40	34.4	40	39.0	53	32.8	53	34.8	53	40.3	53	32.4	61	33.5	61	35.7	32.8
36.1				33	28.2	33	32.6	49	26.7	49	28.7	49	34.0	49	30.2	58	27.3	58	29.5	36.1
39.4				23	23.6	23	27.8	45	22.3	45	24.0	45	28.9	45	28.2	55	22.9	55	24.7	39.4
45.9								34	15.4	34	17.2	34	22.0	34	22.0	48	16.1	48	18.1	45.9
52.5								17	11.0	17	12.3	17	17.2	17	17.2	39	11.2	39	13.4	52.5
59.1																29	7.7	29	9.7	59.1
65.6																10	5.3	10	7.3	65.6
72.2																				72.2
78.7																				78.7
85.3																				85.3
91.9																				91.9
98.4																				98.4
105.0																				105.0
111.5																				111.5
118.1																				118.1
Tel.	Telescoping sequence [%]														Tel.					
1	0		46	0	92	46	0	0	92	46	0	0	92	46	0	1				
2	0		0	0	0	46	0	0	46	0	0	0	46	0	0	2				
3	0		0	0	0	0	0	0	0	0	0	0	0	0	0	3				
4	0		0	0	0	0	0	46	0	46	0	0	0	0	0	4				
5	0		0	46	0	0	46	92	0	92	0	0	0	0	0	5				
No.	1		23	2	24	25	12	3	26	27						No.				

1)Over rear with superstructure locking pin engaged and additional equipmen

99707704569

* With additional lifting equipmen!

Operation and maintenance of this machine must be in compliance with the information provided in the "Operation and Maintenance Manual" supplied with this machi

Counterweight 12,125 lbs

Working radius [ft]	Lifting capacities in 1,000 lbs according per SAE J765, at telescopic boom On outriggers, 360° working area Outriggers fully extended, outrigger base 23.62ft														Working radius [ft]						
	Boom length [ft]																				
	72.5		72.5		84.6		84.6		84.6		96.8		96.8			108.9		108.9			
	∠	°	∠	°	∠	°	∠	°	∠	°	∠	°	∠	°	∠	°	∠	°			
8.2																				8.2	
9.8																				9.8	
11.5	79	77.2	79	65.3																11.5	
13.1	78	77.2	78	61.5	80	91.0	80	75.4	80	55.8										13.1	
14.8	77	77.2	77	58.2	79	90.2	79	75.4	79	53.4										14.8	
16.4	75	77.2	75	55.1	78	86.4	78	75.4	78	50.9	80	69.7	80	62.8	80	48.5				16.4	
19.7	73	75.4	73	49.8	76	88.8	76	75.2	76	47.0	78	66.4	78	62.8	78	46.3	79	52.5	79	46.1	19.7
23.0	70	66.4	70	45.6	73	55.3	73	61.3	73	43.0	76	54.7	76	57.5	76	43.2	78	52.5	78	46.1	23.0
26.2	67	56.2	67	42.1	71	47.2	71	52.7	71	39.7	74	45.9	74	48.5	74	40.3	76	44.5	76	46.1	26.2
29.5	64	48.5	64	39.0	69	39.7	69	45.4	69	36.6	72	39.0	72	41.9	72	37.5	74	37.7	74	40.3	29.5
32.8	61	40.6	61	36.4	66	34.4	66	39.9	66	34.2	70	33.5	70	36.6	70	34.8	73	33.1	73	34.8	32.8
36.1	58	34.2	58	34.2	64	28.4	64	33.5	64	32.0	68	29.5	68	32.4	68	32.6	71	29.3	71	30.4	36.1
39.4	55	29.1	55	30.2	61	24.0	61	28.4	61	30.0	65	25.1	65	27.6	65	30.6	69	25.6	69	26.9	39.4
45.9	48	22.0	48	23.1	55	17.0	55	21.6	55	23.4	61	18.3	61	20.7	61	23.6	65	19.4	65	20.9	45.9
52.5	39	17.2	39	18.3	49	12.3	49	16.8	49	18.3	56	13.7	56	15.9	56	18.7	61	15.0	61	16.5	52.5
59.1	29	13.9	29	14.8	43	8.8	43	13.4	43	14.8	51	9.9	51	12.3	51	15.0	57	11.5	57	13.4	59.1
65.6	10	11.2	10	12.3	35	6.4	35	10.6	35	12.3	45	7.3	45	9.7	45	12.6	52	8.8	52	10.6	65.6
72.2					25	4.2	25	8.6	25	10.1	39	5.3	39	7.5	39	10.4	47	6.6	47	8.6	72.2
78.7											31	3.7	31	5.7	31	8.8	42	4.9	42	6.8	78.7
85.3											22	2.4	22	4.6	22	7.3	36	3.3	36	5.3	85.3
91.9																	29	2.4	29	4.2	91.9
98.4																	18	1.5	18	3.1	98.4
105.0																					105.0
111.5																					111.5
118.1																					118.1
Tel.	Telescoping sequence [%]														Tel.						
1	0		0	92	0	0	92	46	0	92	46	0	92	46	0	1					
2	0		0	46	46	0	46	46	0	46	46	0	46	46	0	2					
3	46		0	46	46	0	46	46	46	0	46	46	46	46	0	3					
4	46		46	0	46	92	46	92	46	92	46	92	46	92	46	4					
5	46		92	0	46	92	0	92	0	92	46	92	46	92	46	5					
No.	13		4	28	14	5	29	15	6	16	17					No.					

99707704569

Operation and maintenance of this machine must be in compliance with the information provided in the "Operation and Maintenance Manual" supplied with this machi



Counterweight 12,125 lbs

Working radius [ft]	Lifting capacities in 1,000 lbs according per SAE J765, at telescopic boom On outriggers, 360° working area Outriggers fully extended, outrigger base 23.62ft												Working radius [ft]									
	Boom length [ft]																					
	108.9 °	121.1 °	121.1 °	121.1 °	132.9 °	132.9 °	145.0 °	145.0 °	157.2 °	168.0 °												
8.2													8.2									
9.8													9.8									
11.5													11.5									
13.1													13.1									
14.8													14.8									
16.4													16.4									
19.7	79	38.1											19.7									
23.0	78	38.1	79	43.4	79	35.5	79	32.6	80	34.8	80	28.4	80	28.4	80	24.3					23.0	
26.2	76	35.5	78	42.5	78	35.5	78	32.6	79	34.8	79	28.4	80	28.4	79	24.3	80	22.5			26.2	
29.5	74	33.1	77	35.9	77	35.5	77	32.6	78	34.8	78	28.4	79	28.4	79	24.3	80	22.5			29.5	
32.8	73	30.9	75	30.9	75	34.2	75	31.1	77	30.2	77	28.4	78	28.4	78	24.3	79	22.5	80	19.6	32.8	
36.1	71	28.9	73	26.9	73	30.0	73	29.3	75	26.2	75	28.4	77	26.0	77	24.3	78	22.5	79	19.6	36.1	
39.4	69	27.1	72	24.0	72	26.5	72	27.6	74	23.1	74	25.8	76	22.9	76	24.3	77	22.5	78	19.6	39.4	
45.9	65	22.9	68	19.2	68	21.8	68	22.5	71	19.2	71	21.6	73	19.4	73	20.7	75	19.2	76	17.9	45.9	
52.5	61	18.3	65	14.8	65	17.4	65	18.3	68	15.0	68	17.4	71	15.4	71	17.2	73	15.9	74	15.7	52.5	
59.1	57	14.8	61	11.2	61	13.9	61	14.6	65	11.7	65	13.9	68	12.1	68	13.9	70	13.0	72	13.0	59.1	
65.6	52	12.3	57	8.6	57	11.2	57	12.1	62	9.0	62	11.5	65	9.5	65	11.2	68	10.1	70	10.1	65.6	
72.2	47	10.1	53	6.6	53	9.0	53	9.9	58	6.8	58	9.3	62	7.3	62	9.0	65	7.9	67	7.9	72.2	
78.7	42	8.2	49	4.9	49	7.3	49	7.9	54	5.1	54	7.5	59	5.5	59	7.1	62	6.4	65	6.4	78.7	
85.3	36	6.8	44	3.3	44	5.7	44	6.6	50	3.7	50	6.2	55	4.2	55	5.5	59	4.9	62	4.9	85.3	
91.9	29	5.5	39	2.2	39	4.6	39	5.5	46	2.4	46	4.9	52	2.9	52	4.6	56	3.7	60	3.7	91.9	
98.4	18	4.6	33	1.3	33	3.7	33	4.4	42	1.5	42	4.0	48	2.0	48	3.3	53	2.6	57	2.6	98.4	
105.0						2.6	2.9	2.6	3.7			3.7	2.9	4.4	1.3	4.4	2.6	5.0	2.0	5.4	2.0	105.0
111.5					16	2.2	16	2.9				3.1	2.2			4.0	2.0	4.6	1.3			111.5
118.1												2.4	1.8			3.5	1.3					118.1
Tel.	Telescoping sequence [%]												Tel.									
1	0	92	46	0	92	0	92	0	92	46	92	46	92	100	1							
2	0	92	46	46	92	0	92	0	92	92	92	92	92	100	2							
3	92	46	46	92	92	92	92	92	92	92	92	92	92	100	3							
4	92	46	92	92	46	92	92	92	92	92	92	92	92	100	4							
5	92	46	92	92	46	92	92	92	46	92	92	92	92	100	5							
No.	7	19	18	8	20	9	21	10	11	22					No.							

99707704569

Operation and maintenance of this machine must be in compliance with the information provided in the "Operation and Maintenance Manual" supplied with this machine



Counterweight 0 lbs

Working radius [ft]	Lifting capacities in 1,000 lbs according per SAE J765, at telescopic boom On outriggers, 360° working area Outriggers fully extended, outrigger base 23.62ft														Working radius [ft]						
	Boom length [ft]																				
	36.4		48.6		48.6		60.7		60.7		60.7		72.5			72.5					
	∠	°	1)	∠	°	∠	°	∠	°	∠	°	∠	°	∠	°	∠	°				
8.2	71		220.0*															8.2			
9.8	69		175.0*	164.7*	75	143.3	75	77.2	78	143.3	78	110.2	78	77.2	78	66.6		9.8			
11.5	66		158.3*	148.8	73	143.3	73	77.2	77	139.3	77	110.2	77	77.2	77	61.9	79	110.2	11.5		
13.1	63		142.2	134.9	70	133.6	70	77.2	75	122.4	75	110.2	75	77.2	75	57.8	78	110.0	78	110.2	13.1
14.8	60		125.4	121.0	68	113.8	68	75.2	73	99.6	73	102.7	73	77.2	73	54.2	77	91.3	77	94.6	14.8
16.4	56		108.9	108.9	66	94.8	66	71.4	72	83.6	72	86.2	72	77.2	72	51.1	75	77.4	75	80.5	16.4
19.7	50		81.3	81.3	62	70.3	62	65.0	68	63.7	68	65.3	68	71.4	68	45.9	73	59.5	73	62.2	19.7
23.0	42		61.5	59.1	57	56.7	57	59.7	65	49.2	65	51.4	65	58.9	65	41.4	70	46.5	70	48.9	23.0
26.2	32		46.5	45.4	52	43.2	52	48.3	61	39.9	61	42.1	61	48.7	61	37.9	67	37.3	67	39.7	26.2
29.5	15		37.5	35.5	46	33.3	46	38.4	57	32.0	57	34.0	57	40.1	57	34.8	64	31.1	64	33.5	29.5
32.8					40	26.5	40	31.1	53	25.4	53	27.1	53	32.6	53	32.4	61	25.6	61	28.0	32.8
36.1					33	21.6	33	26.0	49	20.3	49	22.0	49	27.3	49	27.6	58	20.9	58	23.1	36.1
39.4					23	17.9	23	22.0	45	16.8	45	18.3	45	23.4	45	23.6	55	17.4	55	19.4	39.4
45.9									34	11.2	34	12.8	34	17.4	34	17.6	48	11.9	48	13.7	45.9
52.5									17	7.3	17	9.0	17	13.4	17	13.7	39	7.7	39	9.7	52.5
59.1																	29	4.9	29	6.8	59.1
65.6																	10	2.6	10	4.6	65.6
72.2																					72.2
78.7																					78.7
85.3																					85.3
91.9																					91.9
98.4																					98.4
105.0																					105.0
111.5																					111.5
Tel.	Telescoping sequence [%]														Tel.						
1	0				46				92					46			92			46	1
2	0				0				0					46			46			46	2
3	0				0				0					0			0			46	3
4	0				0				0					46			0			0	4
5	0				0			46	0					46			92			0	5
No.	1		23		2		24		25		12		3		26		27		No.		

1)Over rear with superstructure locking pin engaged and additional equipment 99707704570

* With additional lifting equipment

Operation and maintenance of this machine must be in compliance with the information provided in the "Operation and Maintenance Manual" supplied with this machir

Counterweight 0 lbs

Working radius [ft]	Lifting capacities in 1,000 lbs according per SAE J765, at telescopic boom On outriggers, 360° working area Outriggers fully extended, outrigger base 23.62ft														Working radius [ft]								
	Boom length [ft]																						
	72.5		72.5		84.6		84.6		84.6		96.8		96.8			108.9		108.9					
	∠	°	∠	°	∠	°	∠	°	∠	°	∠	°	∠	°	∠	°	∠	°	∠	°			
8.2																					8.2		
9.8																					9.8		
11.5	79		77.2	79	65.3																11.5		
13.1	78		77.2	78	61.5	80	91.0	80	75.4	80	55.8										13.1		
14.8	77		77.2	77	58.2	79	84.9	79	75.4	79	53.4										14.8		
16.4	75		77.2	75	55.1	78	72.8	78	75.4	78	50.9	80	69.2	80	62.8	80	48.5				16.4		
19.7	73		67.0	73	49.8	76	55.8	76	62.2	76	47.0	78	54.7	78	57.3	78	46.3	79	52.5	79	46.1	19.7	
23.0	70		55.3	70	45.6	73	44.8	73	50.7	73	43.0	76	43.7	76	46.3	76	43.2	78	41.9	78	44.5	23.0	
26.2	67		45.6	67	42.1	71	36.4	71	42.1	71	39.7	74	36.2	74	38.8	74	40.3	76	35.1	76	37.5	26.2	
29.5	64		38.8	64	39.0	69	30.0	69	35.7	69	36.4	72	30.0	72	32.6	72	35.9	74	29.5	74	32.0	29.5	
32.8	61		33.1	61	34.4	66	25.6	66	30.9	66	32.8	70	25.4	70	28.2	70	31.7	73	25.6	73	28.0	32.8	
36.1	58		27.6	58	28.9	64	21.6	64	26.7	64	28.9	68	21.8	68	24.7	68	27.8	71	22.0	71	24.7	36.1	
39.4	55		23.6	55	24.9	61	18.3	61	23.1	61	25.1	65	18.7	65	21.4	65	24.7	69	19.2	69	21.8	39.4	
45.9	48		17.6	48	18.7	55	12.8	55	17.2	55	19.0	61	14.1	61	16.3	61	19.4	65	14.8	65	17.0	45.9	
52.5	39		13.7	39	14.8	49	8.8	49	13.2	49	14.8	56	9.9	56	12.3	56	15.2	61	11.5	61	13.2	52.5	
59.1	29		10.6	29	11.7	43	5.7	43	10.1	43	11.9	51	7.1	51	9.5	51	12.1	57	8.2	57	10.4	59.1	
65.6	10		8.4	10	9.5	35	3.7	35	7.9	35	9.5	45	4.6	45	7.1	45	9.7	52	6.2	52	7.9	65.6	
72.2						25	2.0	25	6.2	25	7.7	39	2.9	39	5.1	39	7.9	47	4.2	47	6.2	72.2	
78.7												31	1.5	31	3.7	31	6.6	42	2.6	42	4.6	78.7	
85.3														22	2.4	22	5.3	36	1.5	36	3.3	85.3	
91.9																					29	2.4	91.9
98.4																					18	1.8	98.4
105.0																							105.0
111.5																							111.5
Tel.	Telescoping sequence [%]														Tel.								
1	0				92				0					46			0		92		46	1	
2	0				46				46					46			0		46		46	2	
3	46				0				46					46			46		46		46	3	
4	46				46				46					46			92		46		46	4	
5	46				92				46					46			92		46		92	5	
No.	13		4		28		14		5		29		15		6		16		17		No.		

99707704570

Operation and maintenance of this machine must be in compliance with the information provided in the "Operation and Maintenance Manual" supplied with this machir



Counterweight 0 lbs

Working radius [ft]	Lifting capacities in 1,000 lbs according per SAE J765, at telescopic boom On outriggers, 360° working area Outriggers fully extended, outrigger base 23.62ft										Working radius [ft]										
	Boom length [ft]																				
	108.9 °	121.1 °	121.1 °	121.1 °	132.9 °	132.9 °	145.0 °	145.0 °	157.2 °	168.0 °											
8.2											8.2										
9.8											9.8										
11.5											11.5										
13.1											13.1										
14.8											14.8										
16.4											16.4										
19.7	79	38.1									19.7										
23.0	78	38.1	79	40.3	79	35.5	79	32.6	80	34.8	80	28.4								23.0	
26.2	76	35.5	78	33.1	78	35.5	78	32.6	79	31.3	79	28.4	80	28.4	80	24.3				26.2	
29.5	74	33.1	77	28.0	77	31.1	77	31.7	78	27.3	78	28.4	79	26.0	79	24.3	80	22.5		29.5	
32.8	73	30.0	75	24.0	75	27.1	75	28.2	77	23.6	77	26.2	78	23.1	78	24.0	79	22.5	80	19.6	32.8
36.1	71	26.2	73	20.9	73	24.0	73	25.1	75	20.5	75	23.4	77	20.3	77	21.8	78	20.5	79	19.0	36.1
39.4	69	23.6	72	17.9	72	21.2	72	22.0	74	17.6	74	20.7	76	17.9	76	19.4	77	17.9	78	17.2	39.4
45.9	65	18.7	68	14.1	68	17.0	68	17.9	71	14.1	71	16.8	73	14.1	73	15.9	75	14.3	76	13.7	45.9
52.5	61	14.8	65	10.6	65	13.7	65	14.6	68	10.6	68	13.4	71	11.0	71	12.6	73	11.5	74	11.0	52.5
59.1	57	11.9	61	8.2	61	10.8	61	11.7	65	8.2	65	11.0	68	8.6	68	10.1	70	9.0	72	8.8	59.1
65.6	52	9.5	57	5.7	57	8.6	57	9.3	62	6.2	62	8.8	65	6.6	65	8.2	68	7.1	70	6.8	65.6
72.2	47	7.7	53	4.2	53	6.6	53	7.5	58	4.4	58	6.8	62	4.9	62	6.6	65	5.3	67	5.3	72.2
78.7	42	6.2	49	2.6	49	5.1	49	6.2	54	2.9	54	5.3	59	3.3	59	4.9	62	4.2	65	4.0	78.7
85.3	36	4.9			44	4.0	44	4.6			50	4.2			55	3.7	59	2.9	62	2.9	85.3
91.9	29	4.0			39	2.9	39	3.7			46	3.1			52	2.6					91.9
98.4	18	3.1			33	2.0	33	2.9			42	2.2			48	1.8					98.4
105.0					26	1.3	26	2.2			37	1.5									105.0
111.5							16	1.5													111.5
Tel.	Telescoping sequence [%]										Tel.										
1	0	92	46	0	92	0	92	46	92	100	1										
2	0	92	46	46	92	92	92	92	92	100	2										
3	92	46	46	92	92	92	92	92	92	100	3										
4	92	46	92	92	46	92	92	92	92	100	4										
5	92	46	92	92	46	92	92	46	92	100	5										
No.	7	19	18	8	20	9	21	10	11	22	No.										

99707704570

Operation and maintenance of this machine must be in compliance with the information provided in the "Operation and Maintenance Manual" supplied with this machine

Counterweight 0 lbs

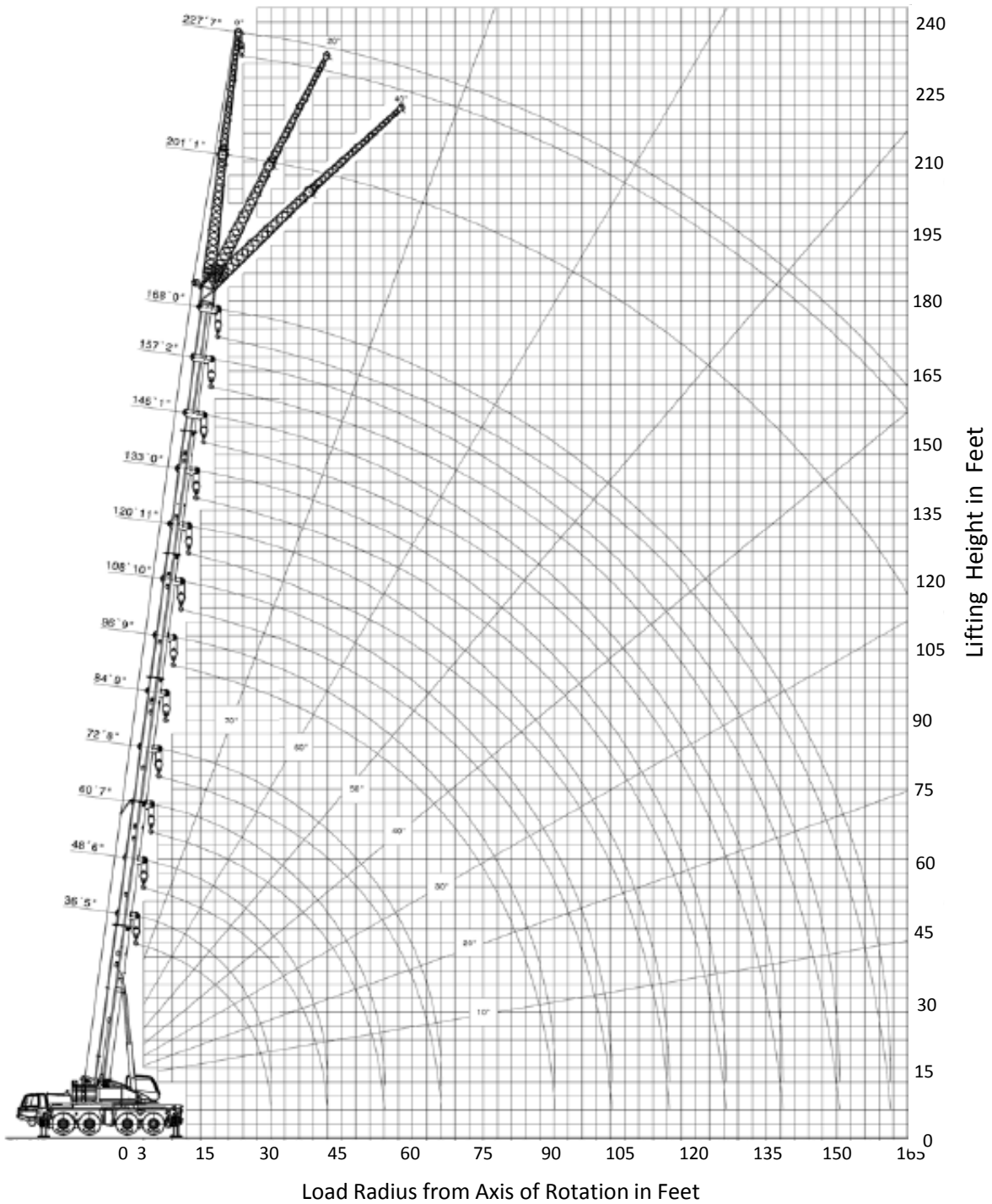
Working radius [ft]	Lifting capacities in 10 ³ lbs according per SAE J765. at telescopic boom for rigging counterweight On outriggers, 360° working area Outriggers half extended, outrigger base 16.40 ft					Working radius [ft]					
	Boom length [ft]										
	36.4 °	48.6 °	60.7 °	72.5 °	84.6 °						
9.8	69	142.0	75	77.2	78	66.6				9.8	
11.5	66	104.3	73	77.2	77	61.9	79	65.3		11.5	
13.1	63	81.1	70	75.4	75	57.8	78	61.5	80	55.8	13.1
14.8	60	65.7	68	62.4	73	54.2	77	55.3	79	51.4	14.8
16.4	56	54.7	66	52.7	72	50.0	75	48.1	78	44.8	16.4
19.7	50	40.1	62	39.7	68	38.4	73	37.5	76	35.3	19.7
23.0	42	29.8	57	31.1	65	30.6	70	30.2	73	28.9	23.0
26.2	32	22.5	52	25.1	61	25.1	67	25.1	71	24.0	26.2
29.5	15	17.4	46	19.8	57	20.9	64	21.2	69	20.3	29.5
32.8			40	15.9	53	17.2	61	18.1	66	17.4	32.8
36.1			33	13.0	49	14.3	58	15.4	64	15.0	36.1
39.4			23	10.6	45	11.9	55	13.0	61	13.0	39.4
45.9					34	8.4	48	9.5	55	9.5	45.9
52.5					17	6.0	39	7.1	49	7.1	52.5
59.1							29	5.1	43	5.3	59.1
65.6							10	3.7	35	3.7	65.6
72.2									25	2.6	72.2
	Telescoping sequence [%]										
Tel. 1	0	0	0	0	0	Tel. 1					
Tel. 2	0	0	0	0	0	Tel. 2					
Tel. 3	0	0	0	0	0	Tel. 3					
Tel. 4	0	0	0	46	92	Tel. 4					
Tel. 5	0	46	92	92	92	Tel. 5					
No.	1	2	3	4	5	No.					

99707704571

Operation and maintenance of this machine must be in compliance with the information provided in the "Operation and Maintenance Manual" supplied with this machine



ATF90G-4 WORKING RANGE CHART



Note : Boom and jib geometry shown are for unloaded condition and machine standing level on firm supporting surface. Boom deflection and subsequent radius and boom angle change must be accounted for when applying load to hook.

Counterweight 49,163 lbs

Lifting capacities in 10³ lbs according per SAE J 765, at fly iib 32.8 ft
Counterweight 49,163 lbs
 On outriggers, 360° working area
Outriggers fully extended, outrigger base 23.62 ft

Working radius (ft.)	Boom length												Working radius (ft.)													
	36.4 ft			36.4 ft ... 108.9 ft			36.4 ft ... 157.2 ft			36.4 ft ... 168.0 ft																
	offset			offset			offset			offset																
	0°	20°	40°	0°	20°	40°	0°	20°	40°	0°	20°	40°														
9.8	77	26.9*											9.8													
11.5	75	26.9*											11.5													
13.1	74	26.9*											13.1													
14.8	72	26.9*											14.8													
16.4	71	26.9*	80	26.9*									16.4													
19.7	68	26.9*	77	25.4*									19.7													
23.0	65	26.9*	74	23.8		79	22.3						23.0													
26.2	62	26.9*	71	22.5	78	16.3	78	22.3					26.2													
29.5	60	26.7*	68	21.2	74	15.7	77	22.3					29.5													
32.8	56	24.9*	64	19.8	71	14.8	76	22.3	80	19.6			32.8													
36.1	53	22.9	61	18.7	68	14.1	74	22.3	78	19.0	80	10.8	36.1													
39.4	49	21.2	57	17.6	64	13.7	73	21.8	77	18.3	79	10.8	39.4													
45.9	42	17.9	49	15.7	55	12.8	70	20.1	74	17.0	77	14.8	77	10.8	45.9											
52.5	33	15.4	40	14.3			68	18.7	72	15.7	75	13.9	75	10.8	78	10.8	52.5									
59.1							65	17.4	69	14.8	72	13.2	73	10.8	76	10.6	79	9.9	75	9.7	78	9.7	59.1			
65.6							62	16.3	66	13.9	69	12.6	72	10.8	74	9.9	77	9.5	73	9.7	76	9.3	78	8.8	65.6	
72.2							59	15.2	63	13.2	65	12.1	70	10.6	72	9.5	75	9.0	71	9.7	74	8.8	76	8.4	72.2	
78.7							56	14.3	60	12.6	62	11.5	68	9.9	70	9.0	73	8.6	69	9.3	72	8.6	74	8.2	78.7	
85.3							52	13.4	56	12.1	59	11.2	66	9.5	68	8.8	71	8.4	68	8.6	70	8.2	72	7.7	85.3	
91.9							49	11.9	53	11.5	55	10.8	64	8.8	66	8.4	68	7.9	66	8.2	68	7.9	70	7.5	91.9	
98.4							45	10.1	49	11.0	51	10.4	61	8.4	64	8.2	66	7.7	64	7.7	66	7.5	68	7.3	98.4	
105.0							41	8.8	44	9.5	46	9.7	59	7.9	62	7.7	64	7.5	62	7.5	64	7.3	66	7.1	105.0	
111.5							36	7.5	40	7.9			57	7.5	60	7.5	61	7.3	60	7.1	62	6.8	64	6.8	111.5	
118.1							31	6.6	34	7.1			54	6.6	57	7.1	59	7.1	57	6.6	60	6.6	62	6.6	118.1	
124.7							25	5.5	28	5.7			51	5.7	54	6.4	56	6.8	55	5.7	57	6.4	59	6.2	124.7	
131.2							16	4.9					48	5.1	51	5.5	53	5.7	52	4.9	55	5.3	56	5.7	131.2	
137.8													45	4.4	48	4.8	49	4.9	49	4.2	52	4.6	53	4.9	137.8	
144.4													42	3.7	45	4.0	46	4.2	47	3.3	49	4.0	50	4.2	144.4	
150.9													39	2.9	41	3.1			44	2.6	46	3.1	47	3.3	150.9	
157.5													35	2.4	38	2.6			40	2.2	43	2.6			157.5	
164.0													31	2.0	33	2.2			37	1.8	39	2.0			164.0	
170.6													26	1.5	28	1.5			33	1.3	36	1.5			170.6	
177.2																										177.2
183.7																										183.7
Tel.	Telescoping sequence (%)												Tel.													
1	0				92					92			100							100				1		
2	0				46					46			100							100				2		
3	0				46					46			100							100				3		
4	0				46					46			100							100				4		
5	0				46					46			100							100				5		

* With additional lifting equipment
 Operation and maintenance of this machine must be in compliance with the information provided in the "Operation and Maintenance Manual" supplied with this machine.

99707704579

Counterweight 49,163 lbs

Lifting capacities in 10³ lbs according per SAE J 765, at fly iib 59.1 ft
Counterweight 49,163 lbs
 On outriggers, 360° working area
Outriggers fully extended, outrigger base 23.62 ft

Working radius (ft.)	Boom length												Working radius (ft.)											
	36.4 ft			36.4 ft ... 108.9 ft			36.4 ft ... 157.2 ft			36.4 ft ... 168.0 ft														
	offset			offset			offset			offset														
	0°	20°	40°	0°	20°	40°	0°	20°	40°	0°	20°	40°												
9.8													9.8											
11.5	80	12.8											11.5											
13.1	79	12.8											13.1											
14.8	78	12.8											14.8											
16.4	77	12.8											16.4											
19.7	75	12.8											19.7											
23.0	73	12.8											23.0											
26.2	71	12.8											26.2											
29.5	69	12.8											29.5											
32.8	67	12.8	79	11.7									32.8											
36.1	65	12.8	77	11.0									36.1											
39.4	63	12.6	75	10.6						80	6.4		39.4											
45.9	59	11.5	70	9.7						78	6.4		45.9											
52.5	54	10.4	65	9.0	75	7.1	72	9.3	78	9.3			52.5											
59.1	49	9.3	60	8.2	69	6.6	69	9.3	76	9.0			59.1											
65.6	43	8.2	54	7.5	63	6.2	67	9.3	74	8.6	79	7.1	65.6											
72.2	37	7.3	48	6.8	56	5.7	65	9.3	71	8.4	76	6.8	72.2											
78.7	30	6.6	40	6.4	46	5.5	63	9.3	69	7.9	74	6.6	78.7											
85.3	20	6.0	30	6.2			60	9.3	66	7.7	71	6.4	85.3											
91.9							58	9.0	64	7.5	68	6.2	91.9											
98.4							55	8.6	61	7.3	65	6.0	98.4											
105.0							52	8.4	58	7.1	62	5.7	105.0											
111.5							49	7.9	55	6.8	58	5.7	111.5											
118.1							46	7.5	52	6.6	55	5.5	118.1											
124.7							43	6.8	48	6.4	51	5.5	124.7											
131.2							39	5.7	44	6.2	47	5.5	131.2											
137.8							35	5.1	40	5.7			137.8											
144.4							30	4.4	35	4.9			144.4											
150.9							24	4.0	29	4.2			150.9											
157.5							17	3.3					157.5											
164.0													164.0											
170.6													170.6											
177.2													177.2											
183.7													183.7											
Tel.	Telescoping sequence (%)												Tel.											
1	0				92					92			100							100				1
2	0				46					46			100							100				2
3	0				46					46			100							100				3
4	0				46					46			100							100				4
5	0				46					46			100							100				5

* With additional lifting equipment
 Operation and maintenance of this machine must be in compliance with the information provided in the "Operation and Maintenance Manual" supplied with this machine.

99707704579



Counterweight 49,163 lbs

Working radius [ft]		Lifting capacities in 10 ³ lbs according per SAE J 765, at flv iib 32.8 ft												Working radius [ft]		
		Counterweight 49,163 lbs														
		On outriggers, 360° working area														
		Outriggers half extended, outrigger base 16.40 ft														
		Boom length														
		36.4 ft			36.4 ft ... 108.9 ft			36.4 ft ... 157.2 ft			36.4 ft ... 168.0 ft					
		Fly jib 32.8 ft														
		offset			offset			offset			offset					
		0°	20°	40°	0°	20°	40°	0°	20°	40°	0°	20°	40°			
9.8	77	26.9°													9.8	
11.5	75	26.9°													11.5	
13.1	74	26.9°													13.1	
14.8	72	26.9°													14.8	
16.4	71	26.9°	80	26.9°											16.4	
19.7	68	26.9°	77	25.4°											19.7	
23.0	65	26.9°	74	23.8		79	22.3								23.0	
26.2	62	26.9°	71	22.5	78	16.3	78	22.3							26.2	
29.5	60	26.7°	68	21.2	74	15.7	77	22.3							29.5	
32.8	56	24.9°	64	19.8	71	14.8	76	22.3	80	19.6					32.8	
36.1	53	22.9°	61	18.7	68	14.1	74	22.3	78	19.0					36.1	
39.4	49	21.2°	57	17.6	64	13.7	73	21.8	77	18.3					39.4	
45.9	42	17.9°	49	15.7	55	12.8	70	20.1	74	17.0	77	14.8			45.9	
52.5	33	15.4°	40	14.3			68	18.7	72	15.7	75	13.9	75	10.8	52.5	
59.1							65	15.4	69	14.8	72	13.2	73	10.8	59.1	
65.6							62	12.6	66	13.9	69	12.6	72	10.8	65.6	
72.2							59	10.4	63	11.5	65	12.1	70	10.6	72.2	
78.7							56	8.6	60	9.5	62	10.1	68	9.0	78.7	
85.3							52	7.1	56	7.9	59	8.4	66	7.5	85.3	
91.9							49	5.7	53	6.4	55	6.8	64	6.2	91.9	
98.4							45	4.6	49	5.3	51	5.7	61	5.1	98.4	
105.0							41	3.7	44	4.2	46	4.6	59	4.0	105.0	
111.5							36	2.9	40	3.3			57	3.3	111.5	
118.1							31	2.2	34	2.6			54	2.4	118.1	
124.7							25	1.5	28	1.8			51	1.8	124.7	
131.2							16	1.1					48	1.3	131.2	
137.8													48	1.1	137.8	
144.4													49	1.3	144.4	
150.9													52	1.1	150.9	
Tel.															Tel.	
1		0						92					92		100	1
2		0						46					46		100	2
3		0						46					46		100	3
4		0						46					46		100	4
5		0						46					46		100	5
1		0						92					92		100	1
2		0						46					46		100	2
3		0						46					46		100	3
4		0						46					46		100	4
5		0						46					46		100	5

* With additional lifting equipment
 Operation and maintenance of this machine must be in compliance with the information provided in the "Operation and Maintenance Manual" supplied with this machine.

99707704580

Counterweight 49,163 lbs

Working radius [ft]		Lifting capacities in 10 ³ lbs according per SAE J 765, at flv iib 59.1 ft												Working radius [ft]			
		Counterweight 49,163 lbs															
		On outriggers, 360° working area															
		Outriggers half extended, outrigger base 16.40 ft															
		Boom length															
		36.4 ft			36.4 ft ... 108.9 ft			36.4 ft ... 157.2 ft			36.4 ft ... 168.0 ft						
		Fly jib 59.1 ft															
		offset			offset			offset			offset						
		0°	20°	40°	0°	20°	40°	0°	20°	40°	0°	20°	40°				
9.8															9.8		
11.5	80	12.8													11.5		
13.1	79	12.8													13.1		
14.8	78	12.8													14.8		
16.4	77	12.8													16.4		
19.7	75	12.8													19.7		
23.0	73	12.8													23.0		
26.2	71	12.8				80	9.3								26.2		
29.5	69	12.8				79	9.3								29.5		
32.8	67	12.8	79	11.7		78	9.3								32.8		
36.1	65	12.8	77	11.0		77	9.3								36.1		
39.4	63	12.6	75	10.6		76	9.3			80	6.4				39.4		
45.9	59	11.5	70	9.7		74	9.3			78	6.4			79	6.0	45.9	
52.5	54	10.4	65	9.0	75	7.1	72	9.3	78	9.3				77	6.4	52.5	
59.1	49	9.3	60	8.2	69	6.6	69	9.3	76	9.0				75	6.4	59.1	
65.6	43	8.2	54	7.5	63	6.2	67	9.3	74	8.6	79	7.1	74	6.4	79	6.4	65.6
72.2	37	7.3	48	6.8	56	5.7	65	9.3	71	8.4	76	6.8	72	6.4	77	6.4	72.2
78.7	30	6.6	40	6.4	46	5.5	63	9.3	69	7.9	74	6.6	71	6.4	76	6.4	78.7
85.3	20	6.0	30	6.2			60	8.2	66	7.7	71	6.4	69	6.4	74	6.4	85.3
91.9							58	6.8	64	7.5	68	6.2	67	6.4	72	6.2	91.9
98.4							55	5.7	61	7.1	65	6.0	66	5.5	71	6.0	98.4
105.0							52	4.9	58	6.0	62	5.7	64	4.6	69	5.7	105.0
111.5							49	4.0	55	4.9	58	5.7	62	3.7	67	4.9	111.5
118.1							46	3.3	52	4.2	55	4.6	60	3.1	65	4.0	118.1
124.7							43	2.6	48	3.3	51	3.7	58	2.4	63	3.3	124.7
131.2							39	2.0	44	2.6	47	3.1	56	1.8	61	2.6	131.2
137.8							35	1.5	40	2.0			54	1.3	59	2.0	137.8
144.4							30	1.1	35	1.5			56	1.5	59	2.0	144.4
150.9													54	1.1	56	1.5	150.9
Tel.																	Tel.
1		0						92					92			100	1
2		0						46					46			100	2
3		0						46					46			100	3
4		0						46					46			100	4
5		0						46					46			100	5
1		0						92					92			100	1
2		0						46					46			100	2
3		0						46					46			100	3
4		0						46					46			100	4
5		0						46					46			100	5

* With additional lifting equipment
 Operation and maintenance of this machine must be in compliance with the information provided in the "Operation and Maintenance Manual" supplied with this machine.

99707704580



Counterweight 49,163 lbs

Working radius [ft]		Lifting capacities in 10 ³ lbs according per SAE J 765, at fly jib 32.8 ft												Working radius [ft]					
		Counterweight 36,376 lbs																	
		On outriggers, 360° working area																	
		Outriggers fully extended, outrigger base 23.62 ft																	
		36.4 ft				36.4 ft ... 108.9 ft				36.4 ft ... 157.2 ft				36.4 ft ... 168.0 ft					
		Fly jib 32.8 ft																	
		offset			offset			offset			offset			offset					
		0°	20°	40°	0°	20°	40°	0°	20°	40°	0°	20°	40°	0°	20°	40°			
9.8	77	26.9°															9.8		
11.5	75	26.9°															11.5		
13.1	74	26.9°															13.1		
14.8	72	26.9°															14.8		
16.4	71	26.9°	80	26.9°													16.4		
19.7	68	26.9°	77	25.4°													19.7		
23.0	65	26.9°	74	23.8°			79	22.3									23.0		
26.2	62	26.9°	71	22.5°	78	16.3	78	22.3									26.2		
29.5	60	26.7°	68	21.2°	74	15.7	77	22.3									29.5		
32.8	56	24.9°	64	19.8°	71	14.8	76	22.3	80	19.6							32.8		
36.1	53	22.9°	61	18.7°	68	14.1	74	22.3	78	19.0							36.1		
39.4	49	21.2°	57	17.6°	64	13.7	73	21.8	77	18.3							39.4		
45.9	42	17.9°	49	15.7°	55	12.8	70	20.1	74	17.0	77	14.8	77	10.8			45.9		
52.5	33	15.4°	40	14.3°			68	18.7	72	15.7	75	13.9	75	10.8	78	10.8	52.5		
59.1							65	17.4	69	14.8	72	13.2	73	10.8	76	10.6	59.1		
65.6							62	16.3	66	13.9	69	12.6	72	10.8	74	9.9	65.6		
72.2							59	13.9	63	13.2	65	12.1	70	10.6	72	9.5	72.2		
78.7							56	11.5	60	12.6	62	11.5	68	9.9	70	9.0	78.7		
85.3							52	9.9	56	11.2	59	11.2	66	9.5	68	8.8	85.3		
91.9							49	8.6	53	9.5	55	10.1	64	8.6	66	8.4	91.9		
98.4							45	7.5	49	8.2	51	8.8	61	7.5	64	7.9	98.4		
105.0							41	6.4	44	6.8	46	7.3	59	6.4	62	7.1	105.0		
111.5							36	5.1	40	5.5			57	5.5	60	6.2	111.5		
118.1							31	4.4	34	4.6			54	4.6	57	5.1	118.1		
124.7							25	3.3	28	3.7			51	3.7	54	4.4	124.7		
131.2							16	2.6					48	2.9	51	3.5	131.2		
137.8													45	2.2	48	2.6	137.8		
144.4													42	1.8	45	2.2	144.4		
150.9													39	1.3	41	1.5	150.9		
157.5																	157.5		
164.0																	164.0		
170.6																	170.6		
Tel.		Telescoping sequence [%]												Tel.					
1		0				92				92				100				1	
2		0				46				92				100				2	
3		0				46				92				100				3	
4		0				46				92				100				4	
5		0				46				92				100				5	

* With additional lifting equipment
 Operation and maintenance of this machine must be in compliance with the information provided in the "Operation and Maintenance Manual" supplied with this machine.

Counterweight 49,163 lbs

Working radius [ft]		Lifting capacities in 10 ³ lbs according per SAE J 765, at fly jib 59.1 ft												Working radius [ft]					
		Counterweight 36,376 lbs																	
		On outriggers, 360° working area																	
		Outriggers fully extended, outrigger base 23.62 ft																	
		36.4 ft				36.4 ft ... 108.9 ft				36.4 ft ... 157.2 ft				36.4 ft ... 168.0 ft					
		Fly jib 59.1 ft																	
		offset			offset			offset			offset			offset					
		0°	20°	40°	0°	20°	40°	0°	20°	40°	0°	20°	40°	0°	20°	40°			
9.8																	9.8		
11.5	80	12.8															11.5		
13.1	79	12.8															13.1		
14.8	78	12.8															14.8		
16.4	77	12.8															16.4		
19.7	75	12.8															19.7		
23.0	73	12.8															23.0		
26.2	71	12.8				80	9.3										26.2		
29.5	69	12.8				79	9.3										29.5		
32.8	67	12.8	79	11.7		78	9.3										32.8		
36.1	65	12.8	77	11.0		77	9.3										36.1		
39.4	63	12.6	75	10.6		76	9.3			80	6.4						39.4		
45.9	59	11.5	70	9.7		74	9.3			78	6.4				79	6.0	45.9		
52.5	54	10.4	65	9.0	75	7.1	72	9.3	78	9.3					78	6.0	52.5		
59.1	49	9.3	60	8.2	69	6.6	69	9.3	76	9.0					76	6.0	59.1		
65.6	43	8.2	54	7.5	63	6.2	67	9.3	74	8.6	79	7.1	74	6.4	79	6.4	65.6		
72.2	37	7.3	48	6.8	56	5.7	65	9.3	71	8.4	76	6.8	72	6.4	77	6.4	72.2		
78.7	30	6.6	40	6.4	46	5.5	63	9.3	69	7.9	74	6.6	71	6.4	76	6.4	78.7		
85.3	20	6.0	30	6.2			60	9.3	66	7.7	71	6.4	69	6.4	74	6.4	85.3		
91.9							58	9.0	64	7.5	68	6.2	67	6.4	72	6.2	91.9		
98.4							55	8.2	61	7.3	65	6.0	66	6.4	71	6.0	98.4		
105.0							52	7.3	58	7.1	62	5.7	64	6.4	69	5.7	105.0		
111.5							49	6.4	55	6.8	58	5.7	62	5.5	67	5.5	111.5		
118.1							46	5.5	52	6.4	55	5.5	60	4.9	65	5.3	118.1		
124.7							43	4.6	48	5.5	51	5.5	58	4.2	63	5.1	124.7		
131.2							39	4.0	44	4.6	47	5.1	56	3.5	61	4.4	131.2		
137.8							35	3.1	40	4.0			54	2.9	59	3.7	137.8		
144.4							30	2.6	35	3.1			51	2.2	56	3.1	144.4		
150.9							24	2.0	29	2.4			49	1.8	54	2.4	150.9		
157.5							17	1.8					46	1.3	51	2.0	157.5		
164.0													48	1.5	50	1.8	164.0		
170.6													46	1.3	48	1.3	170.6		
Tel.		Telescoping sequence [%]												Tel.					
1		0				92				92				100				1	
2		0				46				92				100				2	
3		0				46				92				100				3	
4		0				46				92				100				4	
5		0				46				92				100				5	

* With additional lifting equipment
 Operation and maintenance of this machine must be in compliance with the information provided in the "Operation and Maintenance Manual" supplied with this machine.

Counterweight 49,163 lbs

Working radius [ft]		Lifting capacities in 10 ³ lbs according per SAE J 765. at fly iib 32.8 ft												Working radius [ft]									
		Counterweight 36,376 lbs																					
		On outriggers, 360° working area																					
		Outriggers half extended, outrigger base 16.40 ft																					
		Boom length																					
		36.4 ft			36.4 ft ... 108.9 ft			36.4 ft ... 157.2 ft			36.4 ft ... 168.0 ft												
		offset			offset			offset			offset												
		0°			20°			40°			0°			20°			40°						
		∠			∠			∠			∠			∠			∠						
9.8	77	26.9*																					9.8
11.5	75	26.9*																					11.5
13.1	74	26.9*																					13.1
14.8	72	26.9*																					14.8
16.4	71	26.9*	80	26.9*																			16.4
19.7	68	26.9*	77	25.4*																			19.7
23.0	65	26.9*	74	23.8																			23.0
26.2	62	26.9*	71	22.5																			26.2
29.5	60	26.7*	68	21.2																			29.5
32.8	56	24.9*	64	19.8																			32.8
36.1	53	22.9	61	18.7																			36.1
39.4	49	21.2	57	17.6																			39.4
45.9	42	17.9	49	15.7																			45.9
52.5	33	15.4	40	14.3																			52.5
59.1																							59.1
65.6																							65.6
72.2																							72.2
78.7																							78.7
85.3																							85.3
91.9																							91.9
98.4																							98.4
105.0																							105.0
111.5																							111.5
118.1																							118.1
124.7																							124.7
131.2																							131.2
Tel.																							Tel.
1		0						92						92								100	1
2		0						46						92								100	2
3		0						46						92								100	3
4		0						46						92								100	4
5		0						46						92								100	5

99707704582

* With additional lifting equipment

Operation and maintenance of this machine must be in compliance with the information provided in the "Operation and Maintenance Manual" supplied with this machine

Counterweight 49,163 lbs

Working radius [ft]		Lifting capacities in 10 ³ lbs according per SAE J 765. at fly iib 59.1 ft												Working radius [ft]									
		Counterweight 36,376 lbs																					
		On outriggers, 360° working area																					
		Outriggers half extended, outrigger base 16.40 ft																					
		Boom length																					
		36.4 ft			36.4 ft ... 108.9 ft			36.4 ft ... 157.2 ft			36.4 ft ... 168.0 ft												
		offset			offset			offset			offset												
		0°			20°			40°			0°			20°			40°						
		∠			∠			∠			∠			∠			∠						
9.8																							9.8
11.5	80	12.8																					11.5
13.1	79	12.8																					13.1
14.8	78	12.8																					14.8
16.4	77	12.8																					16.4
19.7	75	12.8																					19.7
23.0	73	12.8																					23.0
26.2	71	12.8																					26.2
29.5	69	12.8																					29.5
32.8	67	12.8	79	11.7																			32.8
36.1	65	12.8	77	11.0																			36.1
39.4	63	12.6	75	10.6																			39.4
45.9	59	11.5	70	9.7																			45.9
52.5	54	10.4	65	9.0																			52.5
59.1	49	9.3	60	8.2																			59.1
65.6	43	8.2	54	7.5																			65.6
72.2	37	7.3	48	6.8																			72.2
78.7	30	6.6	40	6.4																			78.7
85.3	20	6.0	30	6.2																			85.3
91.9																							91.9
98.4																							98.4
105.0																							105.0
111.5																							111.5
118.1																							118.1
124.7																							124.7
131.2																							131.2
Tel.																							Tel.
1		0						92						92								100	1
2		0						46						92								100	2
3		0						46						92								100	3
4		0						46						92								100	4
5		0						46						92								100	5

99707704582

* With additional lifting equipment

Operation and maintenance of this machine must be in compliance with the information provided in the "Operation and Maintenance Manual" supplied with this machine



Counterweight 23,369 lbs

Working radius [ft]		Lifting capacities in 10 ³ lbs according per SAE J 765, at fly jib 32.8 ft On outriggers, 360° working area																								Working radius [ft]																					
		Outriggers fully extended, outrigger base 23.62 ft																																													
		Boom length																																													
		36.4 ft						36.4 ft ... 108.9 ft						36.4 ft ... 157.2 ft						36.4 ft ... 168.0 ft																											
0°		20°		40°		0°		20°		40°		0°		20°		40°		0°		20°		40°																									
																								Fly jib 32.8 ft																							
																								offset						offset						offset						offset					
9.8	77	26.9°																						9.8																							
11.5	75	26.9°																						11.5																							
13.1	74	26.9°																						13.1																							
14.8	72	26.9°																						14.8																							
16.4	71	26.9°	80	26.9°																				16.4																							
19.7	68	26.9°	77	25.4°																				19.7																							
23.0	65	26.9°	74	23.8				79	22.3															23.0																							
26.2	62	26.9°	71	22.5			78	16.3	78	22.3														26.2																							
29.5	60	26.7°	68	21.2			74	15.7	77	22.3														29.5																							
32.8	56	24.9°	64	19.8			71	14.8	76	22.3	80	19.6												32.8																							
36.1	53	22.9°	61	18.7			68	14.1	74	22.3	78	19.0				80	10.8							36.1																							
39.4	49	21.2°	57	17.6			64	13.7	73	21.8	77	18.3				79	10.8							39.4																							
45.9	42	17.9°	49	15.7			55	12.8	70	20.1	74	17.0	77	14.8		77	10.8							45.9																							
52.5	33	15.4°	40	14.3																				52.5																							
59.1																								59.1																							
65.6																								65.6																							
72.2																								72.2																							
78.7																								78.7																							
85.3																								85.3																							
91.9																								91.9																							
98.4																								98.4																							
105.0																								105.0																							
111.5																								111.5																							
118.1																								118.1																							
124.7																								124.7																							
131.2																								131.2																							
137.8																								137.8																							
144.4																								144.4																							
150.9																								150.9																							
Tel.																								Tel.																							
1			0							92							92					100		1																							
2			0							46							46					100		2																							
3			0							46							46					100		3																							
4			0							46							46					100		4																							
5			0							46							46					100		5																							

* With additional lifting equipment
 Operation and maintenance of this machine must be in compliance with the information provided in the "Operation and Maintenance Manual" supplied with this machine

99707704583

Counterweight 23,369 lbs

Working radius [ft]		Lifting capacities in 10 ³ lbs according per SAE J 765, at fly jib 59.1 ft On outriggers, 360° working area																								Working radius [ft]																					
		Outriggers fully extended, outrigger base 23.62 ft																																													
		Boom length																																													
		36.4 ft						36.4 ft ... 108.9 ft						36.4 ft ... 157.2 ft						36.4 ft ... 168.0 ft																											
0°		20°		40°		0°		20°		40°		0°		20°		40°		0°		20°		40°																									
																								Fly jib 59.1 ft																							
																								offset						offset						offset						offset					
9.8																								9.8																							
11.5	80	12.8																						11.5																							
13.1	79	12.8																						13.1																							
14.8	78	12.8																						14.8																							
16.4	77	12.8																						16.4																							
19.7	75	12.8																						19.7																							
23.0	73	12.8																						23.0																							
26.2	71	12.8																						26.2																							
29.5	69	12.8																						29.5																							
32.8	67	12.8	79	11.7																				32.8																							
36.1	65	12.8	77	11.0																				36.1																							
39.4	63	12.6	75	10.6																				39.4																							
45.9	59	11.5	70	9.7																				45.9																							
52.5	54	10.4	65	9.0	75	7.1																		52.5																							
59.1	49	9.3	60	8.2	69	6.6																		59.1																							
65.6	43	8.2	54	7.5	63	6.2																		65.6																							
72.2	37	7.3	48	6.8	56	5.7																		72.2																							
78.7	30	6.6	40	6.4	46	5.5																		78.7																							
85.3	20	6.0	30	6.2																				85.3																							
91.9																								91.9																							
98.4																								98.4																							
105.0																								105.0																							
111.5																								111.5																							
118.1																								118.1																							
124.7																								124.7																							
131.2																								131.2																							
137.8																								137.8																							
144.4																								144.4																							
150.9																								150.9																							
Tel.																								Tel.																							
1			0							92							92					100		1																							
2			0							46							46					100		2																							
3			0							46							46					100		3																							
4			0							46							46					100		4																							
5			0							46							46					100		5																							

Operation and maintenance of this machine must be in compliance with the information provided in the "Operation and Maintenance Manual" supplied with this machine

99707704583



Counterweight 23,369 lbs

Lifting capacities in 10 ³ lbs according per SAE J 765. at fly jib 32.8 ft On outriggers, 360° working area														Working radius [ft]		
Outriggers half extended, outrigger base 16.40 ft																
Boom length																
36.4 ft				36.4 ft ... 108.9 ft				36.4 ft ... 157.2 ft				36.4 ft ... 168.0 ft				
Fly jib 32.8 ft																
offset				offset				offset				offset				
0°	20°	40°		0°	20°	40°		0°	20°	40°		0°	20°	40°		
∠	∠	∠		∠	∠	∠		∠	∠	∠		∠	∠	∠		
9.8	77	26.9°													9.8	
11.5	75	26.9°													11.5	
13.1	74	26.9°													13.1	
14.8	72	26.9°													14.8	
16.4	71	26.9°	80	26.9°											16.4	
19.7	68	26.9°	77	25.4°											19.7	
23.0	65	26.9°	74	23.8			79	22.3							23.0	
26.2	62	26.9°	71	22.5	78	16.3	78	22.3							26.2	
29.5	60	26.7°	68	21.2	74	15.7	77	22.3							29.5	
32.8	56	24.9°	64	19.8	71	14.8	76	22.3	80	19.6					32.8	
36.1	53	22.9	61	18.7	68	14.1	74	20.1	78	19.0					36.1	
39.4	49	21.2	57	17.6	64	13.7	73	17.6	77	18.3					39.4	
45.9	42	17.6	49	15.7	55	12.8	70	13.9	74	15.9	77	14.8	77	10.8	45.9	
52.5	33	14.1	40	14.3			68	10.8	72	12.6	75	13.9	75	10.4	52.5	
59.1							65	8.2	69	9.7	72	10.8	73	8.2	59.1	
65.6							62	6.2	66	7.5	69	8.4	72	6.6	65.6	
72.2							59	4.6	63	5.7	65	6.4	70	5.1	72.2	
78.7							56	3.3	60	4.2	62	4.9	68	3.7	78.7	
85.3							52	2.2	56	3.1	59	3.5	66	2.6	85.3	
91.9							49	1.3	53	2.0	55	2.4	66	2.4	91.9	
98.4									49	1.1	51	1.5			98.4	
105.0															105.0	
111.5															111.5	
118.1															118.1	
Tel.														Tel.		
1	0			92				92				100				1
2	0			46				92				100				2
3	0			46				92				100				3
4	0			46				92				100				4
5	0			46				92				100				5

99707704584

* With additional lifting equipment
 Operation and maintenance of this machine must be in compliance with the information provided in the "Operation and Maintenance Manual" supplied with this machine

Counterweight 23,369 lbs

Lifting capacities in 10 ³ lbs according per SAE J 765. at fly jib 32.8 ft On outriggers, 360° working area														Working radius [ft]		
Outriggers half extended, outrigger base 16.40 ft																
Boom length																
36.4 ft				36.4 ft ... 108.9 ft				36.4 ft ... 157.2 ft				36.4 ft ... 168.0 ft				
Fly jib 32.8 ft																
offset				offset				offset				offset				
0°	20°	40°		0°	20°	40°		0°	20°	40°		0°	20°	40°		
∠	∠	∠		∠	∠	∠		∠	∠	∠		∠	∠	∠		
9.8	77	26.9°													9.8	
11.5	75	26.9°													11.5	
13.1	74	26.9°													13.1	
14.8	72	26.9°													14.8	
16.4	71	26.9°	80	26.9°											16.4	
19.7	68	26.9°	77	25.4°											19.7	
23.0	65	26.9°	74	23.8			79	22.3							23.0	
26.2	62	26.9°	71	22.5	78	16.3	78	22.3							26.2	
29.5	60	26.7°	68	21.2	74	15.7	77	22.3							29.5	
32.8	56	24.9°	64	19.8	71	14.8	76	22.3	80	19.6					32.8	
36.1	53	22.9	61	18.7	68	14.1	74	20.1	78	19.0					36.1	
39.4	49	21.2	57	17.6	64	13.7	73	17.6	77	18.3					39.4	
45.9	42	17.6	49	15.7	55	12.8	70	13.9	74	15.9	77	14.8	77	10.8	45.9	
52.5	33	14.1	40	14.3			68	10.8	72	12.6	75	13.9	75	10.4	52.5	
59.1							65	8.2	69	9.7	72	10.8	73	8.2	59.1	
65.6							62	6.2	66	7.5	69	8.4	72	6.6	65.6	
72.2							59	4.6	63	5.7	65	6.4	70	5.1	72.2	
78.7							56	3.3	60	4.2	62	4.9	68	3.7	78.7	
85.3							52	2.2	56	3.1	59	3.5	66	2.6	85.3	
91.9							49	1.3	53	2.0	55	2.4	66	2.4	91.9	
98.4									49	1.1	51	1.5			98.4	
105.0															105.0	
111.5															111.5	
118.1															118.1	
Tel.														Tel.		
1	0			92				92				100				1
2	0			46				92				100				2
3	0			46				92				100				3
4	0			46				92				100				4
5	0			46				92				100				5

99707704584

* With additional lifting equipment
 Operation and maintenance of this machine must be in compliance with the information provided in the "Operation and Maintenance Manual" supplied with this machine



Counterweight 14,330 lbs

Working radius [ft]		Lifting capacities in 10 ³ lbs according per SAE J 765. at flv iib 32.8 ft On outriggers, 360° working area Outriggers fully extended, outrigger base 23.62 ft																								Working radius [ft]	
		Boom length																									
		36.4 ft						36.4 ft ... 108.9 ft						36.4 ft ... 157.2 ft						36.4 ft ... 168.0 ft							
		offset			offset			offset			offset			offset			offset			offset							
0°		20°		40°		0°		20°		40°		0°		20°		40°		0°		20°		40°					
9.8	77	26.9°																						9.8			
11.5	75	26.9°																						11.5			
13.1	74	26.9°																						13.1			
14.8	72	26.9°																						14.8			
16.4	71	26.9°	80	26.9°																				16.4			
19.7	68	26.9°	77	25.4°																				19.7			
23.0	65	26.9°	74	23.8			79	22.3																23.0			
26.2	62	26.9°	71	22.5		78	16.3	78	22.3															26.2			
29.5	60	26.7°	68	21.2		74	15.7	77	22.3															29.5			
32.8	56	24.9°	64	19.8		71	14.8	76	22.3	80	19.6													32.8			
36.1	53	22.9°	61	18.7		68	14.1	74	22.3	78	19.0													36.1			
39.4	49	21.2	57	17.6		64	13.7	73	21.8	77	18.3								79	9.7				39.4			
45.9	42	17.9	49	15.7		55	12.8	70	19.8	74	17.0	77	14.8						78	9.7				45.9			
52.5	33	15.4	40	14.3															76	9.7	79	9.7		52.5			
59.1						65	13.0	69	13.7	72	13.2	73	10.8	76	10.6			79	9.9	75	9.7	78	9.7	59.1			
65.6						62	10.4	66	11.5	69	11.9	72	10.1	74	9.9	77	9.5	73	9.7	76	9.3	78	8.8	65.6			
72.2						59	8.2	63	9.5	65	9.9	70	8.2	72	9.3	75	9.0	71	8.8	74	8.8	76	8.4	72.2			
78.7						56	6.6	60	7.5	62	8.2	68	6.6	70	7.9	73	8.6	69	6.8	72	7.9	74	8.2	78.7			
85.3						52	4.9	56	5.7	59	6.6	66	5.3	68	6.6	71	7.3	68	5.3	70	6.4	72	7.3	85.3			
91.9						49	3.7	53	4.6	55	5.1	64	4.2	66	5.1	68	5.7	66	4.0	68	4.9	70	5.7	91.9			
98.4						45	2.6	49	3.3	51	4.0	61	3.1	64	4.0	66	4.6	64	2.9	66	4.0	68	4.4	98.4			
105.0						41	1.8	44	2.4	46	2.6	59	2.2	62	2.9	64	3.3	62	2.0	64	2.6	66	3.3	105.0			
111.5								40	1.5			57	1.3	60	2.0	61	2.4			62	2.0	64	2.4	111.5			
118.1														57	1.3	59	1.8					62	1.8	118.1			
124.7																								124.7			
131.2																								131.2			
Tel.		Telescoping sequence [%]																								Tel.	
1		0						92											92				100	1			
2		0						46											92				100	2			
3		0						46											92				100	3			
4		0						46											92				100	4			
5		0						46											92				100	5			
4		0						46											92				100	4			
5		0						46											92				100	5			

* With additional lifting equipment
 Operation and maintenance of this machine must be in compliance with the information provided in the "Operation and Maintenance Manual" supplied with this machine.

99707704585

Counterweight 14,330 lbs

Working radius [ft]		Lifting capacities in 10 ³ lbs according per SAE J 765. at flv iib 59.1 ft On outriggers, 360° working area Outriggers fully extended, outrigger base 23.62 ft																								Working radius [ft]	
		Boom length																									
		36.4 ft						36.4 ft ... 108.9 ft						36.4 ft ... 157.2 ft						36.4 ft ... 168.0 ft							
		offset			offset			offset			offset			offset			offset										
0°		20°		40°		0°		20°		40°		0°		20°		40°		0°		20°		40°					
9.8																								9.8			
11.5	80	12.8																						11.5			
13.1	79	12.8																						13.1			
14.8	78	12.8																						14.8			
16.4	77	12.8																						16.4			
19.7	75	12.8																						19.7			
23.0	73	12.8																						23.0			
26.2	71	12.8					80	9.3																26.2			
29.5	69	12.8					79	9.3																29.5			
32.8	67	12.8	79	11.7			78	9.3																32.8			
36.1	65	12.8	77	11.0			77	9.3																36.1			
39.4	63	12.6	75	10.6			76	9.3																39.4			
45.9	59	11.5	70	9.7			74	9.3												80	6.4			45.9			
52.5	54	10.4	65	9.0																78	6.4			52.5			
59.1	49	9.3	60	8.2			75	9.3	78	9.3									77	6.4			59.1				
65.6	43	8.2	54	7.5			69	6.6	69	9.0									75	6.4			65.6				
72.2	37	7.3	48	6.8			66	6.4	66	9.3									74	6.0			72.2				
78.7	30	6.6	40	6.4			63	6.2	67	9.3									74	6.0	78	6.0	78.7				
85.3	20	6.0	30	6.2			60	6.4	66	9.3									74	6.0	77	6.0	85.3				
91.9							58	5.1	64	6.6	68	6.2							71	5.3	75	6.0	91.9				
98.4							55	4.0	61	5.3	65	6.0							69	3.1	72	4.2	98.4				
105.0							52	3.1	58	4.4	62	5.3							66	2.6	70	4.2	105.0				
111.5							49	2.2	55	3.3	58	4.2							62	2.0	67	3.1	111.5				
118.1							46	1.5	52	2.4	55	3.1							65	2.4	68	3.3	118.1				
124.7									48	1.8	51	2.4							63	1.8	66	2.6	124.7				
131.2											47	1.5							64	2.0			131.2				
Tel.		Telescoping sequence [%]																								Tel.	
1		0						92											92				100	1			
2		0						46											92				100	2			
3		0						46											92				100	3			
4		0						46											92				100	4			
5		0						46											92				100	5			
4		0						46											92				100	4			
5		0						46											92				100	5			

Operation and maintenance of this machine must be in compliance with the information provided in the "Operation and Maintenance Manual" supplied with this machine.

99707704585



Counterweight 14,330 lbs

Working radius [ft]	Lifting capacities in 10 ³ lbs according per SAE J 765. at flv iib 32.8 ft On outriggers, 360° working area												Working radius [ft]											
	Outriggers half extended, outrigger base 16.40 ft																							
	Boom length																							
	36.4 ft			36.4 ft ... 108.9 ft			36.4 ft ... 157.2 ft			36.4 ft ... 168.0 ft														
Fly jib 32.8 ft																								
offset			offset			offset			offset															
0°	20°	40°	0°	20°	40°	0°	20°	40°	0°	20°	40°													
9.8	77	26.9°											9.8											
11.5	75	26.9°											11.5											
13.1	74	26.9°											13.1											
14.8	72	26.9°											14.8											
16.4	71	26.9°	80	26.9°									16.4											
19.7	68	26.9°	77	25.4°									19.7											
23.0	65	26.9°	74	23.8									23.0											
26.2	62	26.9°	71	22.5	78	16.3	78	22.3					26.2											
29.5	60	26.7°	68	21.2	74	15.7	77	21.4					29.5											
32.8	56	24.9°	64	19.8	71	14.8	76	18.3	80	19.6			32.8											
36.1	53	21.6	61	18.7	68	14.1	74	15.9	78	18.3			36.1											
39.4	49	18.7	57	17.6	64	13.7	73	13.9	77	16.1			39.4											
45.9	42	14.3	49	15.4	55	12.8	70	10.6	74	12.6	77	14.1	79	10.8	45.9									
52.5	33	11.2	40	11.9			68	7.9	72	9.5	75	11.0	75	7.5	78	9.0	79	9.7	52.5					
59.1							65	5.5	69	7.1	72	8.4	73	5.7	76	7.1	79	8.4	75	5.5	78	6.8	59.1	
65.6							62	4.0	66	5.1	69	6.2	72	4.2	74	5.5	77	6.6	73	4.0	76	5.3	65.6	
72.2							59	2.4	63	3.5	65	4.4	70	2.9	72	4.2	75	5.1			74	4.0	72.2	
78.7							56	1.3	60	2.4	62	3.1			70	2.9	73	3.7					78.7	
85.3									56	1.3	59	2.0					71	2.6					85.3	
91.9																							91.9	
98.4																							98.4	
105.0																							105.0	
Tel.												Telescoping sequence [%]		Tel.										
1			0						92											92			100	1
2			0						46											92			100	2
3			0						46											92			100	3
4			0						46											92			100	4
5			0						46											92			100	5

99707704586

* With additional lifting equipment
 Operation and maintenance of this machine must be in compliance with the information provided in the "Operation and Maintenance Manual" supplied with this machine

Counterweight 14,330 lbs

Working radius [ft]	Lifting capacities in 10 ³ lbs according per SAE J 765. at flv iib 59.1 ft On outriggers, 360° working area												Working radius [ft]											
	Outriggers half extended, outrigger base 16.40 ft																							
	Boom length																							
	36.4 ft			36.4 ft ... 108.9 ft			36.4 ft ... 157.2 ft			36.4 ft ... 168.0 ft														
Fly jib 59.1 ft																								
offset			offset			offset			offset															
0°	20°	40°	0°	20°	40°	0°	20°	40°	0°	20°	40°													
9.8																							9.8	
11.5	80	12.8																					11.5	
13.1	79	12.8																					13.1	
14.8	78	12.8																					14.8	
16.4	77	12.8																					16.4	
19.7	75	12.8																					19.7	
23.0	73	12.8																					23.0	
26.2	71	12.8							80	9.3													26.2	
29.5	69	12.8							79	9.3													29.5	
32.8	67	12.8	79	11.7					78	9.3													32.8	
36.1	65	12.8	77	11.0					77	9.3													36.1	
39.4	63	12.6	75	10.6					76	9.3													39.4	
45.9	59	11.5	70	9.7					74	9.3													45.9	
52.5	54	10.4	65	9.0	75	7.1	72	9.0	78	9.3													52.5	
59.1	49	9.3	60	8.2	69	6.6	69	7.1	76	9.0													59.1	
65.6	43	8.2	54	7.5	63	6.2	67	5.3	74	7.5	79	7.1	74	4.6	79	6.4							65.6	
72.2	37	7.3	48	6.8	56	5.7	65	3.7	71	5.7	76	6.8	72	3.5	77	5.5							72.2	
78.7	30	6.2	40	6.4	46	5.5	63	2.6	69	4.4	74	6.0			76	4.2							78.7	
85.3	20	5.3	30	5.5			60	1.8	66	3.3	71	4.6			74	3.1	78	4.6					85.3	
91.9									64	2.2	68	3.5					76	3.5					91.9	
98.4									61	1.5	65	2.4					74	2.4					98.4	
105.0									62	1.5													105.0	
Tel.												Telescoping sequence [%]		Tel.										
1			0						92											92			100	1
2			0						46											92			100	2
3			0						46											92			100	3
4			0						46											92			100	4
5			0						46											92			100	5

99707704586

Operation and maintenance of this machine must be in compliance with the information provided in the "Operation and Maintenance Manual" supplied with this machine



Counterweight 12,125 lbs

Lifting capacities in 10 ³ lbs according per SAE J 765, at fly jib 32.8 ft On outriggers, 360° working area														Working radius [ft]					
Outriggers fully extended, outrigger base 23.62 ft																			
Boom length																			
36.4 ft				36.4 ft ... 108.9 ft				36.4 ft ... 157.2 ft				36.4 ft ... 168.0 ft							
Working radius [ft]	offset			offset			offset			offset			offset			Working radius [ft]			
	0°	20°	40°	0°	20°	40°	0°	20°	40°	0°	20°	40°	0°	20°	40°				
9.8	77	26.9°														9.8			
11.5	75	26.9°														11.5			
13.1	74	26.9°														13.1			
14.8	72	26.9°														14.8			
16.4	71	26.9°	80	26.9°												16.4			
19.7	68	26.9°	77	25.4°												19.7			
23.0	65	26.9°	74	23.8												23.0			
26.2	62	26.9°	71	22.5	78	16.3	78	22.3								26.2			
29.5	60	26.7°	68	21.2	74	15.7	77	22.3								29.5			
32.8	56	24.9°	64	19.8	71	14.8	76	22.3	80	19.6						32.8			
36.1	53	22.9°	61	18.7	68	14.1	74	22.3	78	19.0						36.1			
39.4	49	21.2	57	17.6	64	13.7	73	21.8	77	18.3						39.4			
45.9	42	17.9	49	15.7	55	12.8	70	18.7	74	17.0	77	14.8	79	10.8		45.9			
52.5	33	15.4	40	14.3			68	15.2	72	15.7	75	13.9	75	10.8	78	10.8	79	9.7	52.5
59.1							65	12.1	69	13.7	72	13.2	73	10.8	76	10.6	79	9.9	59.1
65.6							62	9.5	66	11.0	69	11.9	72	9.5	74	9.9	77	9.5	65.6
72.2							59	7.3	63	8.6	65	9.5	70	7.7	72	9.0	75	9.0	72.2
78.7							56	5.5	60	6.6	62	7.5	68	6.2	70	7.3	73	7.9	78.7
85.3							52	4.2	56	5.1	59	5.7	66	4.6	68	5.5	71	6.6	85.3
91.9							49	2.9	53	4.0	55	4.4	64	3.3	66	4.4	68	5.1	91.9
98.4							45	2.0	49	2.6	51	3.1	61	2.4	64	3.1	66	4.0	98.4
105.0							41	1.3	44	1.8	46	2.2	59	1.5	62	2.2	64	2.9	105.0
111.5															60	1.5	61	2.0	111.5
118.1																			118.1
124.7																			124.7
Tel.														Telescoping sequence [%]		Tel.			
1	0			92			92			100			1						
2	0			46			92			100			2						
3	0			46			92			100			3						
4	0			46			92			100			4						
5	0			46			92			100			5						

99707704587

* With additional lifting equipment

Operation and maintenance of this machine must be in compliance with the information provided in the "Operation and Maintenance Manual" supplied with this machine

Counterweight 12,125 lbs

Lifting capacities in 10 ³ lbs according per SAE J 765, at fly jib 59.1 ft On outriggers, 360° working area														Working radius [ft]					
Outriggers fully extended, outrigger base 23.62 ft																			
Boom length																			
36.4 ft				36.4 ft ... 108.9 ft				36.4 ft ... 157.2 ft				36.4 ft ... 168.0 ft							
Working radius [ft]	offset			offset			offset			offset			offset			Working radius [ft]			
	0°	20°	40°	0°	20°	40°	0°	20°	40°	0°	20°	40°	0°	20°	40°				
9.8																			9.8
11.5	80	12.8																	11.5
13.1	79	12.8																	13.1
14.8	78	12.8																	14.8
16.4	77	12.8																	16.4
19.7	75	12.8																	19.7
23.0	73	12.8																	23.0
26.2	71	12.8					80	9.3											26.2
29.5	69	12.8					79	9.3											29.5
32.8	67	12.8	79	11.7			78	9.3											32.8
36.1	65	12.8	77	11.0			77	9.3											36.1
39.4	63	12.6	75	10.6			76	9.3											39.4
45.9	59	11.5	70	9.7			74	9.3											45.9
52.5	54	10.4	65	9.0	75	7.1	72	9.3	78	9.3									52.5
59.1	49	9.3	60	8.2	69	6.6	69	9.3	76	9.0									59.1
65.6	43	8.2	54	7.5	63	6.2	67	9.3	74	8.6	79	7.1	74	6.4	79	6.4			65.6
72.2	37	7.3	48	6.8	56	5.7	65	8.4	71	8.4	76	6.8	72	6.4	77	6.4			72.2
78.7	30	6.6	40	6.4	46	5.5	63	7.1	69	7.9	74	6.6	71	6.4	76	6.4			78.7
85.3	20	6.0	30	6.2			60	5.5	66	7.3	71	6.4	69	5.3	74	6.4	78	6.2	85.3
91.9							58	4.4	64	5.7	68	6.2	67	4.2	72	5.7	76	5.7	91.9
98.4							55	3.3	61	4.6	65	5.5	66	2.9	71	4.6	74	5.3	98.4
105.0							52	2.4	58	3.7	62	4.6	64	2.2	69	3.7	72	4.9	105.0
111.5							49	1.8	55	2.6	58	3.7			67	2.6	70	3.7	111.5
118.1							52	2.0	55	2.6					65	2.0	68	2.9	118.1
124.7							48	1.3	51	1.8									124.7
Tel.														Telescoping sequence [%]		Tel.			
1	0			92			92			100			1						
2	0			46			92			100			2						
3	0			46			92			100			3						
4	0			46			92			100			4						
5	0			46			92			100			5						

99707704587

Operation and maintenance of this machine must be in compliance with the information provided in the "Operation and Maintenance Manual" supplied with this machine



Counterweight 0 lbs

Working radius [ft]		Lifting capacities in 10 ³ lbs according per SAE J 765. at flv iib 32.8 ft On outriggers, 360° working area												Working radius [ft]	
		Outriggers fully extended, outrigger base 23.62 ft													
		Boom length													
		36.4 ft			36.4 ft ... 108.9 ft			36.4 ft ... 157.2 ft			36.4 ft ... 168.0 ft				
Fly jib 32.8 ft															
offset			offset			offset			offset						
0°	20°	40°	0°	20°	40°	0°	20°	40°	0°	20°	40°				
9.8	77	26.9°													9.8
11.5	75	26.9°													11.5
13.1	74	26.9°													13.1
14.8	72	26.9°													14.8
16.4	71	26.9°	80	26.9°											16.4
19.7	68	26.9°	77	25.4°											19.7
23.0	65	26.9°	74	23.8				79	22.3						23.0
26.2	62	26.9°	71	22.5	78	16.3	78	22.3							26.2
29.5	60	26.7°	68	21.2	74	15.7	77	22.3							29.5
32.8	56	24.9°	64	19.8	71	14.8	76	22.3	80	19.6					32.8
36.1	53	22.9°	61	18.7	68	14.1	74	19.6	78	19.0					36.1
39.4	49	21.2	57	17.6	64	13.7	73	17.2	77	18.3					39.4
45.9	42	17.9	49	15.7	55	12.8	70	14.1	74	15.2	77	14.8	77	10.8	45.9
52.5	33	15.4	40	14.3			68	11.2	72	12.8	75	13.9	75	9.3	52.5
59.1							65	8.8	69	10.1	72	11.7	73	7.9	59.1
65.6							62	6.6	66	7.9	69	9.3	72	6.2	65.6
72.2							59	4.9	63	6.2	65	7.1	70	4.6	72.2
78.7							56	3.3	60	4.6	62	5.3	68	3.3	78.7
85.3							52	2.2	56	3.1	59	4.0		68	85.3
91.9									53	2.0	55	2.6			91.9
98.4														68	98.4
105.0															105.0
111.5															111.5
Telescoping sequence [%]															
Tel.															
1		0					92					92		100	1
2		0					46					92		100	2
3		0					46					92		100	3
4		0					46					92		100	4
5		0					46					92		100	5

99707704588

* With additional lifting equipment

Operation and maintenance of this machine must be in compliance with the information provided in the "Operation and Maintenance Manual" supplied with this machine

Counterweight 0 lbs

Working radius [ft]		Lifting capacities in 10 ³ lbs according per SAE J 765. at flv iib 59.1 ft On outriggers, 360° working area												Working radius [ft]	
		Outriggers fully extended, outrigger base 23.62 ft													
		Boom length													
		36.4 ft			36.4 ft ... 108.9 ft			36.4 ft ... 157.2 ft			36.4 ft ... 168.0 ft				
Fly jib 59.1 ft															
offset			offset			offset			offset						
0°	20°	40°	0°	20°	40°	0°	20°	40°	0°	20°	40°				
9.8															9.8
11.5	80	12.8													11.5
13.1	79	12.8													13.1
14.8	78	12.8													14.8
16.4	77	12.8													16.4
19.7	75	12.8													19.7
23.0	73	12.8													23.0
26.2	71	12.8				80	9.3								26.2
29.5	69	12.8				79	9.3								29.5
32.8	67	12.8	79	11.7		78	9.3								32.8
36.1	65	12.8	77	11.0		77	9.3								36.1
39.4	63	12.6	75	10.6		76	9.3								39.4
45.9	59	11.5	70	9.7		74	9.3								45.9
52.5	54	10.4	65	9.0	75	7.1	72	9.3	78	9.3					52.5
59.1	49	9.3	60	8.2	69	6.6	69	9.3	76	9.0					59.1
65.6	43	8.2	54	7.5	63	6.2	67	7.7	74	8.6	79	7.1	74	6.4	65.6
72.2	37	7.3	48	6.8	56	5.7	65	6.2	71	8.2	76	6.8	72	5.1	72.2
78.7	30	6.6	40	6.4	46	5.5	63	4.9	69	6.8	74	6.6	71	4.0	78.7
85.3	20	6.0	30	6.2			60	3.7	66	5.3	71	6.4			85.3
91.9							58	2.4	64	4.2	68	5.3			91.9
98.4									61	3.1	65	4.2			98.4
105.0									58	2.2	62	3.1			105.0
111.5											58	2.2			111.5
Telescoping sequence [%]															
Tel.															
1		0					92					92		100	1
2		0					46					92		100	2
3		0					46					92		100	3
4		0					46					92		100	4
5		0					46					92		100	5

99707704588

Operation and maintenance of this machine must be in compliance with the information provided in the "Operation and Maintenance Manual" supplied with this machine



Counterweight 49,163 lbs

Working radius [ft]	Lifting capacities in 10 ³ lbs according per SAE J765, at telescopic boom On tire, over rear												Working radius [ft]
	Boom length [ft]												
	36.4 Over rear **		48.6 Over rear **		60.7 Over rear **		36.4 Over rear **		48.6 Over rear **		60.7 Over rear **		
9.8	69	37.7		75	38.4		78	39.0					9.8
11.5	66	34.4		73	35.3		77	35.7					11.5
13.1	63	31.5		70	32.4		75	32.8					13.1
14.8	60	29.1		68	30.0		73	30.4					14.8
16.4	56	26.9		66	27.8		72	28.2					16.4
19.7	50	23.1		62	24.0		68	24.7					19.7
23.0	42	20.1		57	21.2		65	21.6					23.0
26.2	32	17.6		52	18.7		61	19.2					26.2
29.5	15	15.7		46	16.5		57	17.2					29.5
32.8				40	14.8		53	15.4					32.8
36.1				33	13.4		49	13.9					36.1
39.4				23	12.1		45	12.8					39.4
45.9							34	10.6					45.9
52.5							17	8.6					52.5
Tel.	Telescoping sequence [%]												Tel.
1	0			0			0						1
2	0			0			0						2
3	0			0			0						3
4	0			0			0						4
5	0			46			92						5
No.	1			2			3						No.

99707704573

** Over rear with superstructure pin engaged.

Operation and maintenance of this machine must be in compliance with the information provided in the "Operation and Maintenance Manual" supplied with this machine

Counterweight 36,376 lbs

Working radius [ft]	Lifting capacities in 10 ³ lbs according per SAE J765, at telescopic boom On tire, over rear												Working radius [ft]
	Boom length [ft]												
	36.4 Over rear **		48.6 Over rear **		60.7 Over rear **		36.4 Over rear **		48.6 Over rear **		60.7 Over rear **		
9.8	69	38.1		75	39.0		78	39.7					9.8
11.5	66	34.8		73	35.7		77	36.4					11.5
13.1	63	32.0		70	32.8		75	33.5					13.1
14.8	60	29.5		68	30.4		73	31.1					14.8
16.4	56	27.3		66	28.2		72	28.9					16.4
19.7	50	23.6		62	24.5		68	25.1					19.7
23.0	42	20.5		57	21.6		65	22.0					23.0
26.2	32	18.1		52	19.0		61	19.6					26.2
29.5	15	15.0		46	16.8		57	17.6					29.5
32.8				40	14.1		53	15.2					32.8
36.1				33	12.1		49	13.0					36.1
39.4				23	10.4		45	11.2					39.4
45.9							34	8.6					45.9
52.5							17	6.6					52.5
Tel.	Telescoping sequence [%]												Tel.
1	0			0			0						1
2	0			0			0						2
3	0			0			0						3
4	0			0			0						4
5	0			46			92						5
No.	1			2			3						No.

99707704574

** Over rear with superstructure pin engaged.

Operation and maintenance of this machine must be in compliance with the information provided in the "Operation and Maintenance Manual" supplied with this machine.

Counterweight 23,369 lbs

Working radius [ft]	Lifting capacities in 10 ³ lbs according per SAE J765, at telescopic boom On tire, over rear												Working radius [ft]
	Boom length [ft]												
	36.4 Over rear **		48.6 Over rear **		60.7 Over rear **		36.4 Over rear **		48.6 Over rear **		60.7 Over rear **		
9.8	69	38.8		75	39.7		78	40.3					9.8
11.5	66	35.5		73	36.4		77	36.8					11.5
13.1	63	32.6		70	33.5		75	34.0					13.1
14.8	60	30.0		68	30.9		73	31.5					14.8
16.4	56	27.8		66	28.7		72	29.3					16.4
19.7	50	22.7		62	24.5		68	25.6					19.7
23.0	42	17.6		57	19.4		65	20.5					23.0
26.2	32	14.1		52	15.9		61	16.8					26.2
29.5	15	11.2		46	13.0		57	14.1					29.5
32.8				40	10.8		53	11.9					32.8
36.1				33	9.0		49	9.9					36.1
39.4				23	7.7		45	8.6					39.4
45.9							34	6.4					45.9
52.5							17	4.4					52.5
Tel.	Telescoping sequence [%]												Tel.
1	0			0			0						1
2	0			0			0						2
3	0			0			0						3
4	0			0			0						4
5	0			46			92						5
No.	1			2			3						No.

99707704575

** Over rear with superstructure pin engaged.

Operation and maintenance of this machine must be in compliance with the information provided in the "Operation and Maintenance Manual" supplied with this machine

Counterweight 14,330 lbs

Working radius [ft]	Lifting capacities in 10 ³ lbs according per SAE J765, at telescopic boom On tire, over rear												Working radius [ft]
	Boom length [ft]												
	36.4 Over rear **		48.6 Over rear **		60.7 Over rear **		36.4 Over rear **		48.6 Over rear **		60.7 Over rear **		
9.8	69	39.2		75	40.1		78	40.8					9.8
11.5	66	35.9		73	36.8		77	37.3					11.5
13.1	63	33.1		70	34.0		75	34.4					13.1
14.8	60	29.1		68	31.1		73	32.0					14.8
16.4	56	24.9		66	26.9		72	28.0					16.4
19.7	50	18.5		62	20.5		68	21.6					19.7
23.0	42	14.3		57	16.1		65	17.2					23.0
26.2	32	11.2		52	12.8		61	13.9					26.2
29.5	15	8.8		46	10.4		57	11.5					29.5
32.8				40	8.6		53	9.5					32.8
36.1				33	7.1		49	7.9					36.1
39.4				23	5.7		45	6.6					39.4
45.9							34	4.6					45.9
52.5							17	3.1					52.5
Tel.	Telescoping sequence [%]												Tel.
1	0			0			0						1
2	0			0			0						2
3	0			0			0						3
4	0			0			0						4
5	0			46			92						5
No.	1			2			3						No.

99707704576

** Over rear with superstructure pin engaged.

Operation and maintenance of this machine must be in compliance with the information provided in the "Operation and Maintenance Manual" supplied with this machine



Counterweight 12,125 lbs

Working radius [ft]	Lifting capacities in 10 ³ lbs according per SAE J765. at telescopic boom												Working radius [ft]	
	On tire, over rear													
	Boom length [ft]													
	36.4 Over rear **		48.6 Over rear **		60.7 Over rear **			36.4 Over rear **		48.6 Over rear **		60.7 Over rear **		
9.8	69	39.5			75	40.3			78	40.8			9.8	
11.5	66	36.2			73	36.8			77	37.5			11.5	
13.1	63	32.8			70	34.0			75	34.6			13.1	
14.8	60	27.3			68	29.3			73	30.6			14.8	
16.4	56	23.4			66	25.4			72	26.5			16.4	
19.7	50	17.4			62	19.2			68	20.3			19.7	
23.0	42	13.2			57	15.0			65	16.1			23.0	
26.2	32	10.4			52	11.9			61	13.0			26.2	
29.5	15	7.9			46	9.7			57	10.6			29.5	
32.8					40	7.7			53	8.8			32.8	
36.1					33	6.4			49	7.3			36.1	
39.4					23	5.1			45	6.2			39.4	
45.9									34	4.2			45.9	
52.5									17	2.6			52.5	
Tel.	Telescoping sequence [%]												Tel.	
1	0				0				0				1	
2	0				0				0				2	
3	0				0				0				3	
4	0				0				0				4	
5	0				46				92				5	
No.	1				2				3				No.	

** Over rear with superstructure pin engaged. 99707704577

Operation and maintenance of this machine must be in compliance with the information provided in the "Operation and Maintenance Manual" supplied with this machine

Counterweight 0 lbs

Working radius [ft]	Lifting capacities in 10 ³ lbs according per SAE J765. at telescopic boom												Working radius [ft]	
	On tire, over rear													
	Boom length [ft]													
	36.4 Over rear **		48.6 Over rear **		60.7 Over rear **			36.4 Over rear **		48.6 Over rear **		60.7 Over rear **		
9.8	69	39.7			75	38.6			78	36.4			9.8	
11.5	66	30.9			73	32.6			77	31.1			11.5	
13.1	63	24.9			70	27.1			75	27.1			13.1	
14.8	60	20.5			68	22.5			73	23.8			14.8	
16.4	56	17.2			66	19.2			72	20.5			16.4	
19.7	50	12.3			62	14.3			68	15.4			19.7	
23.0	42	9.0			57	10.8			65	11.9			23.0	
26.2	32	6.6			52	8.4			61	9.5			26.2	
29.5	15	4.9			46	6.4			57	7.5			29.5	
32.8					40	5.1			53	6.0			32.8	
36.1					33	3.7			49	4.6			36.1	
39.4					23	2.9			45	3.7			39.4	
45.9									34	2.2			45.9	
Tel.	Telescoping sequence [%]												Tel.	
1	0				0				0				1	
2	0				0				0				2	
3	0				0				0				3	
4	0				0				0				4	
5	0				46				92				5	
No.	1				2				3				No.	

** Over rear with superstructure pin engaged. 99707704578

Operation and maintenance of this machine must be in compliance with the information provided in the "Operation and Maintenance Manual" supplied with this machine.



WARNING AND OPERATING INSTRUCTIONS FOR LIFTING CAPACITIES

GENERAL

- Total rated loads shown on the TADANO LOAD RATING CHART apply only to the machine as originally manufactured and normally equipped by TADANO. Modifications to the machine or use of optional equipment other than that specified can result in a reduction of capacity.
- Construction equipment can be dangerous if improperly operated or maintained. Operation and maintenance of this machine must be in compliance with the information in the operation, safety and maintenance manual supplied with the machine. If this manual is missing, order replacement through the distributor.
- The operator and other personnel associated with this machine shall fully acquaint themselves with the latest applicable American National Standards Institute (ANSI) safety standards for cranes.

SET UP

- Total rated loads shown on the TADANO LOAD RATING CHART are the maximum allowable crane capacities and are based on the machine standing level on firm supporting surface under ideal job conditions. Depending on the nature of the supporting surface, it may be necessary to have structural supports under the outrigger floats to spread the load to a larger bearing surface.
- For an outrigger operation, outriggers shall be extended to the dimension according to the TADANO LOAD RATING CHART and secured by pins with tires free of supporting surface, before operating crane.
- If counterweight is moved down from stop during crane operation (indicator "counterweight center" goes out), all crane movements are switched off. Counterweight must be raised again to its stop.

OPERATION

- Total rated loads with outriggers fully extended do not exceed 85% of the tipping loads. Total rated loads with outriggers half extended are determined from the formula:

$$\text{total rated load} = (\text{tipping load} - 0.1 \text{ tip reaction}) / 1.25$$
- The crane's structural steelwork is in accordance with DIN 15018, part 3. Design and construction of the crane comply with DIN 15018, part 2 and with F.E.M. regulations.
- Total rated loads include the weight of main hook block, auxiliary hook ball, sling and other auxiliary lifting devices and all their weights shall be subtracted from the listed capacities to obtain the net load to be lifted.

Hookball/ Hookblock(ton)	6.6	22.0	44.1				69.4				110.2			
No. of parts of line	1	2	3	4	5	6	7	8	9	10	12	14	18*	21*
Max. lifting capacity (ton)	6.2	12	18	24	29.8	35.6	40.9	46.6	51.7	57.2	68	77	96	110
Weight (lbs.)	330	660	1210				1430				2200			

*For more than 15 rope falls additional lifting equipment is necessary, see operation manual.

- Total rated loads are based on freely suspended loads and make no allowance for such factors as the effect of wind, sudden stopping of loads, supporting surface conditions, operating speeds, side loads, etc. Side pull on boom or jib is extremely dangerous.

- Total rated loads do not account for wind on lifted load or boom. Total rated loads and boom length shall be appropriately reduced, when wind velocity is above 22 mph (32 ft/sec.).
- Total rated loads at load radius shall not be exceeded. Do not tip the crane to determine allowable loads.
- Do not operate at boom lengths beyond radii or boom angles where no capacities are shown. Crane may overturn without any load on the hook.
- Slewing of the superstructure is admissible only when the crane is supported on half or fully extended outriggers.
- The lifting capacity ratings specified in the TADANO LOAD RATING CHART apply to the telescopic boom without extendible fly jib fixed in transport position or working position. If the extendible fly jib is secured to the telescopic boom in transport position or working position, the lifting capacities of the telescopic boom are reduced by the values specified below. The weight of the extendible fly jib(2,000 lbs) is detected in terms of a load, and the load moment limiter will shut off earlier.

Position of the fly jib	Load rating reduction for the telescopic boom with mounted fly jib								
	Telescopic boom length [ft]								
	36.4	60.7	72.5	84.6	96.8	108.9	132.9	145.0	168.0
Load rating reduction [tons]									
32.8 ft / 59.1 ft fly jib, mounted in transport position	0.36	0.17	0.14	0.1	0.09	0.09	0.07	0.07	0.05
32.8 ft fly jib, mounted to boom	3.65	2.55	2.27	1.57	1.25	1.14	1.05	1.01	0.98
59.1ft fly jib, mounted to boom	7.58	5.04	4.40	2.79	2.07	1.80	1.62	1.54	1.47

- When making lifts at a load radius not shown, use the next longer radius to determine allowable capacity.
- Load per part line should not exceed 12,500 lbs. for the main winch and for the auxiliary winch.
- Loaded boom angles are approximate. The boom angle before loading should be greater to account for deflection.
- Extension or retraction of the telescopic boom with loads may be attempted within the limits of the TADANO LOAD RATING CHART. The ability to telescope loads is limited by hydraulic pressure, boom angle, boom length, crane maintenance, etc.
- When erecting or stowing the extendible fly jib, be sure to retain it by hand or by other means to prevent its free movement.
- Use the Anti-Two Block (OVERWIND CUTOUT) disable switch when erecting or stowing the extendible fly jib and stowing the hook block. While the switch is pushed, the hoist will not stop, even when an overwind condition occurs.

16. The working radius specified in the TADANO LOAD RATING CHARTS for the extendible fly jib apply only if the telescopic boom is extended according to the TADANO LOAD RATING CHARTS. If one or more elements of the telescopic boom are retracted partially or completely, the specified boom angles will be decisive in determining total rated lifting capacities.
17. When lifting a load by using the extendible fly jib (auxiliary hoist) and telescopic boom (main hoist) simultaneously, do the following:
 - A) Select the correct program for the load moment device in accordance with jib length, jib offset angle, counterweight and outrigger base.
 - B) Before starting the operation, make sure that the weight of the load is within the total rated load for the extendible fly jib
18. Safe Load Indicator (S.L.I.)

Before working with the telescopic boom or fly jib, make sure that the S.L.I. is working properly. Before lifting the crane driver has to check the load for any lifting cycle. For working with telescopic boom or fly jib the automatic S.L.I. has to set to the correct automatic S.L.I. mode according to the existing crane working condition. The information shown at the automatic S.L.I. display gives permanent information for crane usage crane driver.
19. Working with Single Top
Operation with the single top is allowed with the main winch and the auxiliary winch. The maximum allowed line pull for single top operation is 12,500lbf. For operations with the single top mounted select single rope fall and the correct S.L.I. code in accordance with existing counterweight and outrigger base. The maximum allowed capacity is limited by the selected S.L.I. code for main boom operation according to existing counterweight and outrigger base at one side and by the single line pull which is limited by hydraulic pressure at the other side. For operations with single top the S.L.I. display indications for working radius and actual load are not absolutely exact, because the geometrical dimensions for the single nozzles for windshield and cab floor, (Webasto Thermo 50) S.L.I. system. For operations with the single top mounted, use the TADANO LOAD RATING CHARTS for the telescopic boom in accordance with existing counterweight and outrigger base to find the total rated lifting capacity and also select the correct S.L.I. code for the telescopic boom in accordance with the existing counterweight and outrigger base. Find the total rated lifting capacity based on boom length and working radius. From that value, subtract 1,100 lbs and the weights of all lifting equipment used including hook block, sling and other auxiliary lifting devices. The result (<total rated lifting capacity> - <1,100 lbs> - <lifting equipment>) is the total rated lifting capacity for a single top lift.
20. Working Auxiliary Winch
The weight of the auxiliary winch is taken into account as a part of counterweight. Therefore the auxiliary winch must be always attached to the superstructure for crane working. In case that the auxiliary winch is disassembled from superstructure, the counterweight piece with 1.10 tons has to be attached to the superstructure instead of auxiliary winch.

DEFINITIONS

1. Working Radius: Horizontal distance from a projection of the axis of rotation to supporting surface before loading to the center of the vertical hoist line or tackle with load applied.
The deflection of the boom due to its deadweight and the rated load are taken into account.
2. Loaded Boom Angle: The angle between the boom base section and the horizontal, after lifting the total rated load at the working radius.
3. Working Area: Area measured in a circular arc about the centerline of rotation.
4. Freely Suspended Load: Load hanging free with no direct external force applied except by the hoist line
5. Side Load: Horizontal side force applied to the lifted load either on the ground or in the air.

Safe Load Indicator

The Safe Load Indicator is intended as an aid to the operator. Under no condition should it be relied upon to replace use of TADANO LOAD RATING CHARTS and Operating Instructions. Sole reliance upon the Safe Load Indicator Aids in place of good operating practice can cause an accident. The operator must exercise caution to assure safety.

ON TIRE OPERATION

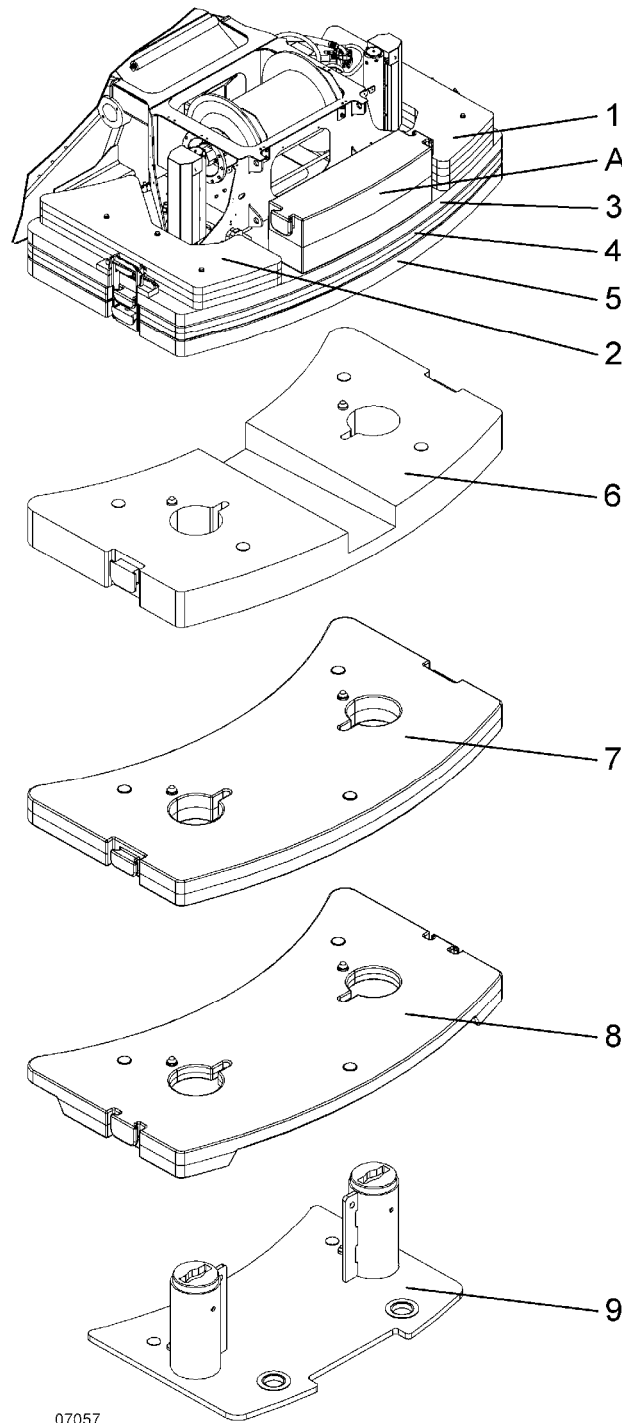
1. Total rated lifting capacities on tires are in pounds and do not exceed 75% of tipping loads as determined by test in accordance with SAE J-765.
2. Total rated lifting capacities shown in the TADANO LOAD RATING CHARTS are based on the condition that the crane is set on firm level supporting surfaces with suspension let down to block. They are based on actual load radius increased by tire deformation and boom deflection.
3. Total rated lifting capacities are based on proper tire inflation, capacity and condition. Damaged tires are hazardous to safe operation of the crane.
4. Tires shall be inflated to correct air pressure, acc. to tire size at center:

14.00R25	145 psi (10kgf/cm ²)
16.00R25	130 psi (9kgf/cm ²)
20.5R25	100 psi (7kgf/cm ²)
5. On tire lifting with "extendible fly jib" is not permitted
6. When making a lift on the tires, set the parking brake.
7. Travelling with the load is permitted only if the following condition exist:

Crane carrier is set on firm level supporting surface; tires inflated to specified pressure; boom must be centered over the rear of the carrier; superstructure swing lock pin engaged; slewing brake engaged; maximum boom length is not exceed 60.7 ft; lifted load kept as close to the ground as possible and fastened to the chassis to prevent the lifted load from swinging or oscillating; travel slowly with a creeping speed not to exceed 1 mph; and especially avoid any abrupt steering accelerating or braking.

If possible, extend the outriggers and lower the outrigger floats to just above ground level.
8. Do not operate the crane while carrying the load

Counterweight variant



07057

	A)* 1.0t	1) 0.3t x4	2) 0.3t x3	3) 2.4t	4) 2.7t	5) 1.2t	6) 4.4t	7) 4.6t	8) 2.9t	9) 1.0t
0 lb										
12,125lb	x	x	x	x						
14,330lb	x	x	x	x						x
23,369lb	x	x	x	x		x			x	x
36,376lb	x	x	x	x	x		x		x	x
49,163lb	x	x	x	x	x	x	x	x	x	x

* Counterweight A) is not in combination with Aux. winch.

ATF90G-4 Axle weight distribution chart

1) Normal traveling condition

	GVW	Axle 1	Axle 2	Axle 3	Axle 4
Base machine with 16.00R25 tires, 8x6 drive, no counterweight, no driver, no fuel	86,217	25,649	25,444	17,933	17,190
Add:					
1. 6.6 ton hook ball in storage box	330	82	83	83	82
2. 44.1 ton hook block at the bumper	1,212	1,244	1,244	-638	-638
3. 32.8 ft/ 59.0 ft fly jib	3,292	2031	2031	-335	-335
4. 32.8 ft/ 59.0 ft hydraulically fly jib	3,874	2638	2638	-701	-701
5. Auxiliary winch with cable	2,230	-757	-757	1872	1872
6. Auxiliary boom point sheave (single top)	162	193	193	-112	-112
7. Air conditioning at carrier cab	106	77	77	-24	-24
8. Air conditioning at crane cab	92	-19	-19	65	65
9. 8x8 drive	531	0	531	0	0
10. 20.5R25 tires in lieu of 16:00R25	880	220	220	220	220
11. Eddy-current brake at 4th axle	467	0	0	0	467
12. Tool box at rear	154	-56	-56	133	133
1. Counterweight at upper (0.3t x7 pics)	4,050	-1,051	-1,051	3,076	3,076
2. Counterweight at upper (1.0t) *Not in combination with Aux. winch	2,276	-775	-775	1,913	1,913
3. Counterweight at upper (2.4t)	5,244	-1,429	-1,429	4,051	4,051
4. Counterweight at upper (2.7t)	6,002	-1,634	-1,634	4,635	4,635
5. Counterweight at upper (1.2t)	2,646	-720	-720	2,043	2,043
6. Counterweight at carrier (4.4t)	9,754	4,317	4,317	560	560
7. Counterweight at carrier (4.6t)	10,212	4,520	4,520	586	586
8. Counterweight at carrier (2.9t)	6,434	2,848	2,848	369	369
9. Counterweight at carrier (1.0t)	2,316	1,025	1,025	133	133

2) Traveling with boom dolly

	GVW	Axle 1	Axle 2	Axle 3	Axle 4	Dolly
Base machine with 16.00R25 tires, 8x6 drive, no counterweight, no driver, no fuel	86,217	19,143	18,939	17,246	16,503	14,386
Add:						
1. Dolly support	88	0	0	0	0	88
2. Swing and elevation free, tele lock	88	10	10	34	34	0
3. 6.6 ton hook ball in storage box	330	82	83	83	82	0
4. 44.1 ton hook block at the boom head	1,212	-98	-98	-52	-52	1512
5. 32.8 ft/ 59.0 ft fly jib	3,292	301	301	160	160	2370
6. 32.8 ft/ 59.0 ft hydraulically fly jib	3,874	280	280	148	148	3018
7. Auxiliary winch with cable	2,230	1137	1137	-22	-22	0
8. Auxiliary boom point sheave (single top)	162	-13	-13	-7	-7	202
9. Air conditioning at carrier cab	106	77	77	-24	-24	0
10. Air conditioning at crane cab	92	-19	-19	65	65	0
11. 8x8 drive	531	0	531	0	0	0
12. 20.5R25 tires in lieu of 16:00R25	880	220	220	220	220	0
13. Eddy-current brake at 4th axle	467	0	0	0	467	0
14. Tool box at rear	154	-56	-56	133	133	0
1. Counterweight at upper (0.3t x7 pics)	4,050	1740	1740	285	285	0
2. Counterweight at upper (1.0t) *Not in combination with Aux. winch	2,276	1163	1163	-25	-25	0
3. Counterweight at upper (2.4t)	5,244	2321	2321	301	301	0
4. Counterweight at upper (2.7t)	6,002	2657	2657	344	344	0
5. Counterweight at upper (1.2t)	2,646	1171	1171	152	152	0
6. Counterweight at carrier (4.4t)	9,754	4,317	4,317	560	560	0
7. Counterweight at carrier (4.6t)	10,212	4,520	4,520	586	586	0
8. Counterweight at carrier (2.9t)	6,434	2,848	2,848	369	369	0
9. Counterweight at carrier (1.0t)	2,316	1,025	1,025	133	133	0

