

CRANE SPECIFICATIONS

BOOM

5-section full power synchronized telescoping boom, 37.7'~144.4' (11.5m~44m), of round hexagonal box construction with 8-sheaves, 17-5/16" (0.440m) root diameter, at boom head. The synchronization system consists of two double acting telescope cylinders, two extension cables and retraction cables. Hydraulic cylinder fitted with holding valve. Two easily removable wire rope guards, rope dead end provided on both sides of boom head. Boom telescope sections are supported by wear pads both vertically and horizontally. Selection of two boom telescoping modes.

BOOM ELEVATION - By a double acting hydraulic cylinder with holding valve. Elevation -2°~80°, combination controls for hand or foot operation. Boom angle indicator.

JIB - Double stage lattice type, 3.5°, 25° or 45° offset (tilt type). Single sheave, 15-5/8" (0.396m) root diameter, at base and top jib head. Stored alongside base boom section. Jib length is 32.5' (9.9m) or 58.1' (17.7m). Assist cylinders for mounting and stowing, controlled at right side of superstructure. Self stowing jib mounting pins.

AUXILIARY LIFTING SHEAVE (SINGLE TOP) - Single sheave, 15-5/8" (0.396m) root diameter. Mounted to main boom head for single line work (stowable).

ANTI-TWO BLOCK - Pendant type over-winding cut out device with audio-visual (FAILURE lamp/BUZZER) warning system.

SWING

Hydraulic axial piston motor driven through planetary swing speed reducer. Continuous 360° full circle swing on ball bearing turntable at 1.7rpm. Equipped with manually locked/released swing brake. Twin swing System: Free swing or lock swing controlled by selector switch on front console.

HOIST

MAIN HOIST - Variable speed type with grooved drum driven by hydraulic axial piston motor through winch speed reducer. Power load lowering and raising. Equipped with automatic brake (neutral brake) and counterbalance valve. Controlled independently of auxiliary hoist. Equipped with cable follower. Drum rotation indicator.

DRUM - Grooved 15-3/4" (0.40m) root diameter x 23-9/16" (0.599m) wide. Wire rope: 797' of 3/4" diameter rope (243m of 19mm). Drum capacity: 1,133.9' (345.6m) 7 layers. Maximum line pull (Available): 18,200lbs. (8,260kg)*. Maximum line speed: 585FPM (178m/min).

AUXILIARY HOIST - Variable speed type with grooved drum driven by hydraulic axial piston motor through winch speed reducer. Power load lowering and raising. Equipped with automatic brake (neutral brake) and counterbalance valve. Controlled independently of main hoist. Equipped with cable follower. Drum rotation indicator.

DRUM - Grooved 15-3/4" (0.40m) root diameter x 23-9/16" (0.599m) wide. Wire rope: 436' of 3/4" diameter rope (133m of 19mm). Drum capacity: 1,133.9' (345.6m) 7 layers. Maximum line pull (Available): 18,200lbs. (8,260kg)*. Maximum line speed: 585FPM (178m/min).

* Permissible line pull may be affected by wire rope strength.

WIRE ROPE - Warrington seal wire, extra improved plow steel, preformed, independent wire rope core, right regular lay. 3/4" (19 mm) 6X37 class

HOOK BLOCKS

6.2 ton (5.6 metric ton) - Weighted hook with swivel and safety latch, for 3/4" (19mm) wire rope.

HYDRAULIC SYSTEM

PUMPS - Two variable piston pumps for crane functions. Tandem gear pump for swing and optional equipment. Powered by carrier engine. Pump disconnect for crane is engaged/ disengaged by rocker switch from carrier cab.

CONTROL VALVES - Multiple valves actuated by pilot pressure with integral pressure relief valves.

RESERVOIR - 185 gallon (700 lit.) capacity. External sight level gauge.

FILTRATION - 26 micron return filter, full flow with bypass protection, located inside of hydraulic reservoir. Accessible for easy replacement.

OIL COOLER - Air cooled fan type.

COUNTERWEIGHT

Pinned to superstructure frame.

Total mass of counterweights :

- 11,500 lbs (6,000 + 5,500 bs)
- 16,500 lbs (11,500 + 5,000 lbs)
- 35,000 lbs (16,500 + 10,500 + 8,000 lbs)
- 39,500 lbs (35,000 + 2,250 x 2 lbs)

Hydraulically controlled counterweight.

CAB AND CONTROLS

Left side, 1 man type, steel construction with sliding door access and safety glass windows opening at side. Door window is powered control. Windshield glass window and roof glass window are shatter-resistant. Adjustable control lever stands for swing, boom hoist, boom telescoping, auxiliary hoist and main hoist. Control lever stands can change neutral positions and tilt for easy access to cab. Engine throttle knob. Foot operated controls: boom hoist, boom telescoping and engine throttle. Hot water cab heater and air conditioning.

Dash-mounted engine start/stop, monitor lamps, cigarette lighter, telescoping mode I / II switch, low noise mode switch, front washer and wiper switch, power window switch, swing brake switch, telescoping / auxiliary winch select switch, main winch / auxiliary winch selector switch, swing stop cancel switch, slow elevation stop cancel switch, free swing / lock swing selector switch and ashtray. Outrigger controls .

Instruments - Hydraulic oil pressure is monitored and displayed on the AML-L display panel.



Tadano electronic LOAD MOMENT INDICATOR system (AML-L) including:

- Control lever lockout function
- Load radius / boom angle / tip height / swing range preset function
- Warning buzzer
- Boom angle / boom length / jib offset angle / load radius / rated lifting capacities / actual loads read out
- Ratio of actual load moment to rated load moment indication
- Automatic Speed Reduction and Soft Stop function on boom elevation and swing (swing range restricted only)
- Working condition register switch
- External warning lamp

TADANO AML-L monitors outrigger extended length and automatically programs the corresponding "RATED LIFTING CAPACITIES" table.

2nd boom emergency / 3rd,4th,top boom emergency telescoping switch. Correct jib status select switch. Upper console includes working light switch, roof washer and wiper switch, oil cooler switch, emergency outrigger set up key switch and air conditioning control switch. Swing lock lever and 3 way adjustable seat with high back.

NOTE: Each crane motion speed is based on unladen conditions.

CARRIER SPECIFICATIONS

MANUFACTURER - FAUN GmbH

MODEL - KF90-4

TYPE - Left hand steering, 8x4

FRAME - High tensile steel, all welded mono-box construction.

TRANSMISSION - ZF-AS-Tronic 12 AS 2302 mechanical transmission with electro-pneumatically actuated dry-type clutch and automatic gear shifting with 12 forward gears and 2 reverse gears. Power / Economy mode.

TRANSFER CASE - Two stage.

TRAVELING SPEEDS AND GRADE ABILITY

Gear step / Gear	Traveling speeds in mph (k.p.h)				Grade ability @ Peak Torque in %	
	Transfer "High"		Transfer "Low"		Transfer "High"	Transfer "Low"
1st gear	0-4.1	(0-6.7)	(0-2.4)	(0-3.9)	48.3	64.8
2nd gear	5.3	(8.6)	3.1	(5.0)	35.6	46.3
3rd gear	6.8	(11.0)	3.9	(6.4)	26.7	34.2
4th gear	8.8	(14.2)	5.1	(8.2)	20.1	25.6
5th gear	11.1	(18.0)	6.4	(10.4)	15.5	19.8
6th gear	14.3	(23.1)	8.3	(13.4)	11.7	15.0
7th gear	18.9	(30.4)	10.9	(17.6)	8.6	11.0
8th gear	24.3	(39.1)	14.1	(22.7)	6.4	8.3
9th gear	31.3	(50.4)	18.1	(29.2)	4.6	6.1
10th gear	40.2	(64.7)	23.3	(37.5)	3.3	4.5
11th gear	51.1	(82.2)	29.6	(47.6)	2.2	3.3
12th gear	65.4	(105.3)	37.8	(61.0)	1.3	2.3
1st Reverse gear	4.4	(7.2)	2.6	(4.2)	43.9	58.1
2nd Reverse gear	5.7	(9.3)	3.3	(5.4)	32.6	42.1

AXLES - Front: Full floating type, steering axle.

Rear: Full floating type, driving axle.

All driven axles with differential locks.

All axle steering knuckle bearings designed for minimum maintenance (annual inspection).

ENGINE (EUROMOTO IIIa / EPA Tier 3)

Model	Daimler Chrysler OM460LA
No. of cylinders	6
Combustion	4 cycle, turbo charged and inter cooled
Displacement, cu. in (liters)	781.1 (12.8)
Air cleaner	Dry type, replaceable element
Oil filter	Full flow and bypass with replaceable element
Fuel filter	Spin-on type
Fuel tank, gal. (liters)	105.6 (400), right side of carrier
Cooling	Liquid pressurized, recirculating by-pass

STEERING - ZF-Servocom, dual circuit hydraulic and mechanical steering of both front axles. Transfer-mounted emergency steering pump.

SUSPENSION - Front : Walking beam with air bags and shock absorbers. Rear : Walking beam with air bags and shock absorbers

BRAKE SYSTEMS - Service: ABS system. Full air brakes on all wheels. Dual air line system. Parking / Emergency : Spring loaded brake on rear 4-wheel controlled by knob of spring brake valve. Auxiliary : Constant throttle system with exhaust flap brake.

TIRES - Front: 445/65R22.5 SingleX4 Rear: 315/80R22.5 DualX4 Spare: 445/65R22.5 SingleX1

OUTRIGGERS - Four hydraulic, beam and jack outriggers.

Vertical jack cylinders equipped with integral holding valve. Each outrigger beam and jack is controlled independently from either side of carrier. Beams extend to 23' 7-1/2" (7.2 m) center-line and retract to within 8' 6" (2.59 m) overall width. Equipped with four stowable plastic floats. Controls and sight bubble located in crane cab and on both sides of carrier. Three outrigger extension lengths are provided with corresponding "RATED LIFTING CAPACITIES" for crane duty in confined areas.

Min. extension 6' 9-7/8"(2.08m) center to center

Mid. extension 15' 9"(4.8m) center to center

Max. extension 23' 7-1/2"(7.2m) center to center

Float size(Diameter) 1' 7-11/16" (0.5m)

FRONT JACK - A fifth hydraulically operated outrigger jack.

Mounted to the front frame of carrier. Hydraulic cylinder equipped with integral holding valve and steel float.

Float size(Diameter) 1' 3-11/16"(0.4m)

CARRIER CAB - One man full width cab of composite (steel sheet metal and fiber-glass) structure, with safety glass, air-cushioned adjustable seats, engine dependent hot-water heater. Complete controls and instrumentation for road travel. Speed control (Cruise control). Air conditioning

ELECTRICAL SYSTEM - 24 volt DC system, 2 batteries. Electrical system conforms with EEC regulations.

Radiator	Fin and tube core, thermostat controlled
Fan, in. (mm)	Hydraulic driven fan, 2x24 8 (2x630) dia.
Starting	24 volt, 5.8kW
Charging	24 volt DC system, negative ground
Compressor,air, CFM(l/min)	12.4 (352) @ 2000 rpm
Horsepower, hp(kW)	490 (360) @ 1800 rpm
Torque, Max. ft-lb(Nm)	1628 (2200) @ 1300 rpm

STANDARD EQUIPMENT

FOR SUPERSTRUCTURE

- 5-section full power synchronized boom 37.7'-144.4' (11.5 m-44 m)
- 32.5'-58.1' (9.9 m-17.7 m) bi-fold lattice jib (tilt type) with 3.5°, 25° or 45° pinned offsets and self storing pins.
- Boom hoist foot control
- Boom telescoping foot control
- Boom angle indicator
- Variable speed main hoist with grooved drum, cable follower and 797' of 3/4" cable.
- Mirror for main and auxiliary hoists
- Drum rotation indicator (thumper type) main and auxiliary hoist
- Variable speed auxiliary hoist with grooved drum, cable follower and 436' of 3/4" cable.
- Tadano twin swing system
- 360° positive swing lock
- Anti-Two block device (overwind cutout)
- Tadano electronic load moment indicator system (AML-L) including
 - Control lever lockout function
 - Load radius / boom angle / tip height / swing range preset function
 - Warning buzzer
 - Boom angle / boom length / j b offset angle / load radius / rated lifting capacities / actual loads read out
 - Automatic Speed Reduction and Soft Stop function on boom elevation and/or swing (swing range restricted only).
 - Ratio of actual load moment to rated load moment indication
 - Working condition register switch
 - External warning lamp
- Tinted safety glass
- Front windshield wiper and washer
- Roof window wiper and washer
- Electric fan in cab
- Hot water cab heater and air conditioner (Upper cab)
- Power window (Door of the cab)
- 3 way adjustable cloth seat with armrests, high back and seat belt
- Self centering finger control levers with pilot control
- Cab floor mat
- Cigarette lighter
- 55ton 5sheave quick reeve hook Block
- 6.2 ton (5.6 metric ton) hook with swivel
- Weighted hook storage compartment
- Hook block tie down front bumper
- Hydraulic oil cooler
- Hydraulically controlled counterweight
- Counterweight position indicator
- Hydraulic circuit for boom dolly (Boom elevation and swing)
- two boom telescoping modes
- Control pedals for boom hoist and boom telescoping
- 3 working lights
- Outrigger extension length detector
- Outrigger controls and sight bubble located in superstructure cab and both side of carrier
- Auxiliary lifting sheave (single top) stowable
- Back cover of left side superstructure

FOR CARRIER

- Daimler Chrysler OM460LA turbo charged and inter cooled engine with Constant throttle system and Speed control (Cruise control)
- Engine over-runn buzzer
- Engine RPM limiter
- ZF-AS-Tronic 12 AS 2302 mechanical transmission with electro-pneumatically actuated dry-type clutch and automatic gear shifting with 12 forward gears and 2 reverse gears. Power / Economy mode.
- Air ride front & rear suspension
- Front and spare tires 445/65R22.5
- Rear tires 315/80R22.5
- Anti-block system(ABS)
- Towing hooks (Front and rear, Eye type)
- Carrier mounted storage box
- Trailer coupling device
- Air dryer
- ZF-Servocom, dual circuit hydraulic and mechanical steering system with emergency steering pump
- Outrigger controls and sight bubble located in superstructure cab and both side of carrier
- Front jack (Fifth jack)
- Aluminum fenders
- Windshield wiper and washer
- Emergency hammer
- 3 point type seat belt
- Sun visor
- Tilt telescoping steering wheel
- 3 way adjustable air-cushioned seat
- Windshield of laminated safety glass
- Side windows of hardened glass
- Air pressure gauge
- Tachometer
- Hourmeter (Operation from the carrier and superstructure)
- Engine temperature indicator
- Fuel level indicator
- Gearbox display
- Speedometer
- Fog light
- Rear fog light
- Reversing signal (Buck-up alarm)
- Adjustment and heating rearview mirror
- High-beam light
- Hazard warning system
- Electric horn
- Hot water cab heater with defroster
- Air conditioning
- FM/AM CD-Radio
- Air and electrical connections at rear bumper for boom dolly
- Swing brake pressure drop buzzer for dolly
- Gearbox malfunction buzzer
- Air cleaner dust indicator
- Daytime running lights
- Non-slip paint
- Exhaust pipe extension
- Rotary beacon

HOISTING PERFORMANCE

LINE SPEEDS AND PULLS

Layer	Speed	Main or auxiliary hoist - 15'-3/4" (0.4m) drum					
		Line speeds ²		Line pulls			
		F.P.M	m/min	Available ¹		Permissible ⁴	
				Lbs.	kgf	Lbs.	kgf
1st	High	378	115	18,200	8,260	15,200	6,880
2nd	High	413	126	16,700	7,570	13,900	6,310
3rd	High	448	136	15,400	6,990	12,800	5,820
4th	High	482	147	14,300	6,490	11,900	5,410
5th	High	502	157	13,400	6,060	11,100	5,050
6th	High	551	168	12,500	5,680	10,400	4,730
7th ³	High	585	178	11,800	5,350	9,800	4,460

¹ Developed by machinery with each layer of wire rope, but not based on rope strength or other limitation in machinery or equipment.

² Line speeds based only on hook block, not loaded.

³ Seventh layer of wire rope is not recommended for hoisting operations.

⁴ Permissible line pull may be affected by wire rope strength.

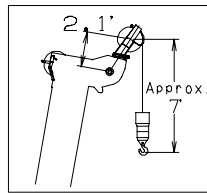
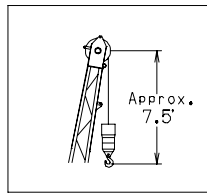
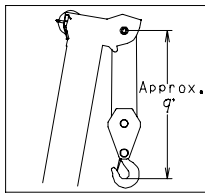
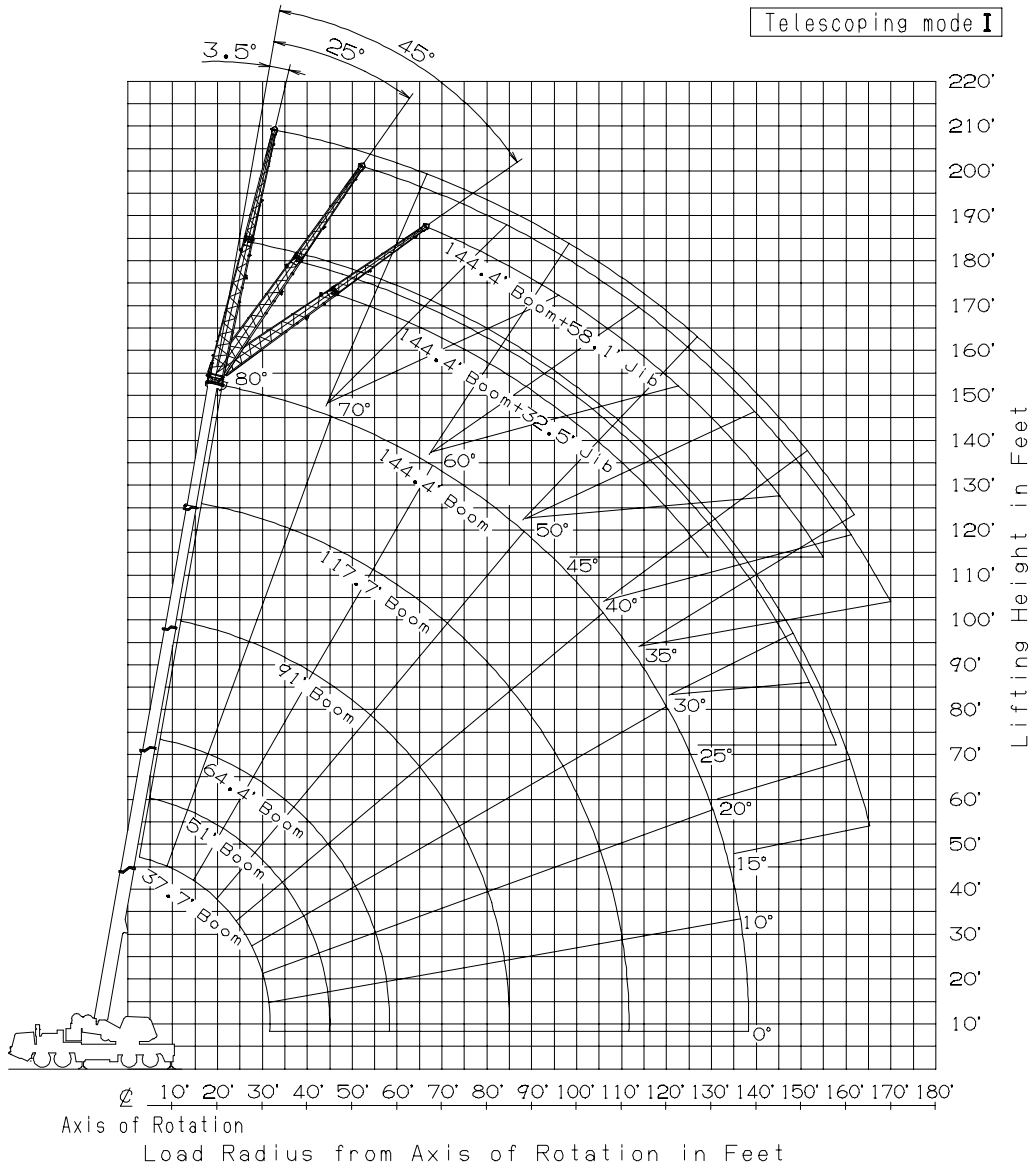
DRUM WIRE ROPE CAPACITIES

Wire rope layer	Main and auxiliary drum grooved lagging			
	3/4" (19mm) wire rope			
	Rope per layer		Total wire rope	
	Feet	Meters	Feet	Meters
1	127.3	38.8	127.3	38.8
2	138.8	42.3	266.1	81.1
3	150.6	45.9	416.7	127.0
4	162.1	49.4	578.7	176.4
5	173.6	52.9	752.3	229.3
6	185.0	56.4	937.3	285.7
7	196.5	59.9	1133.9	345.6

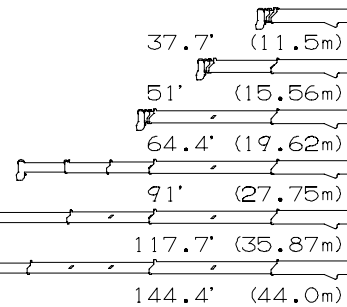
DRUM DIMENSIONS

	Inch	mm
Root diameter	15-3/4"	400
Length	23-9/16"	599
Flange diameter	27-3/8"	695

GT-900XL WORKING RANGE CHART

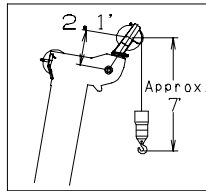
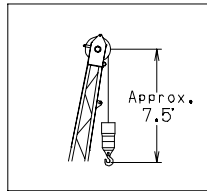
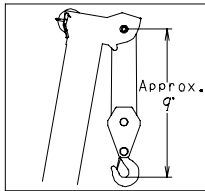
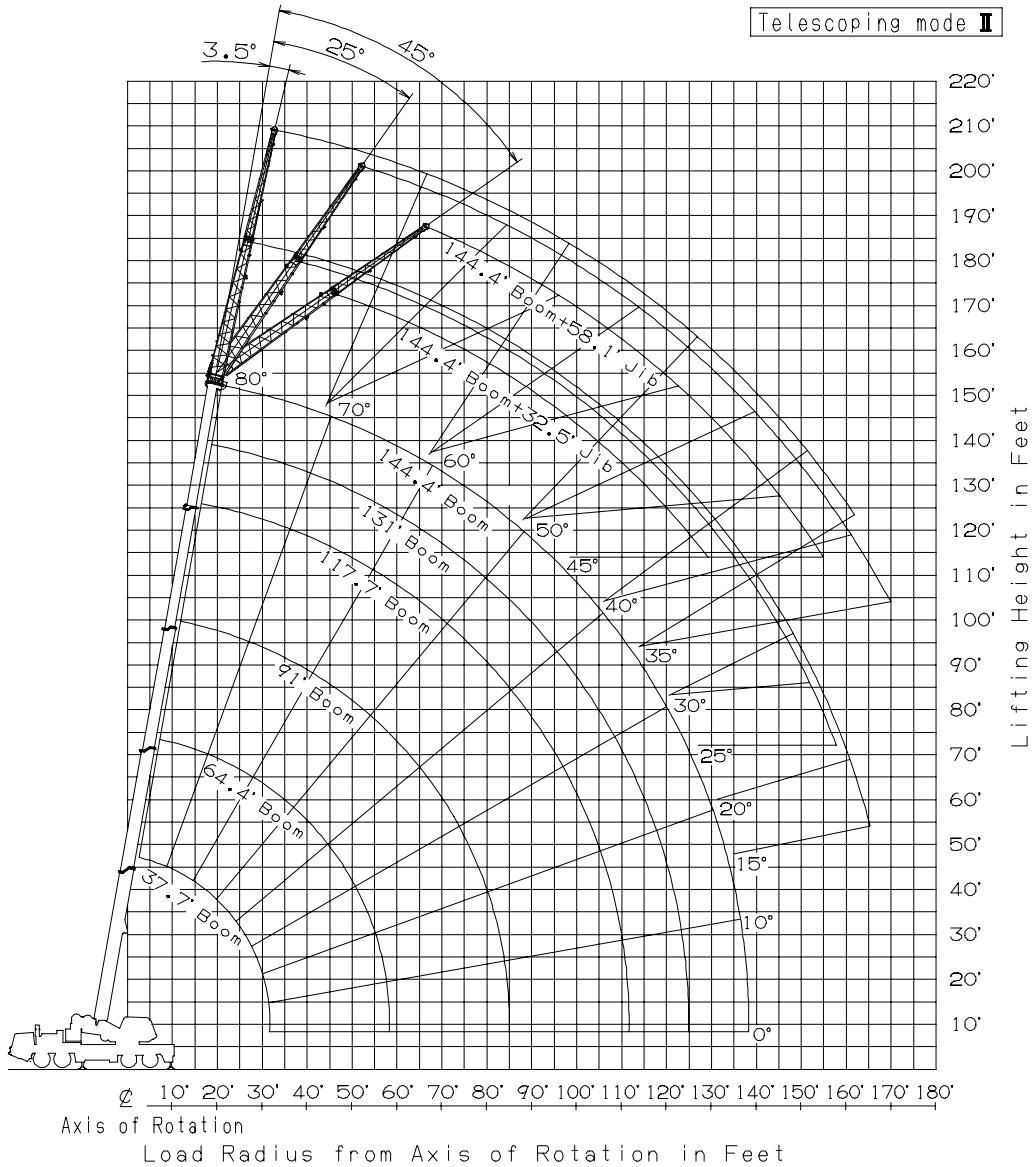


Boom Length in Feet

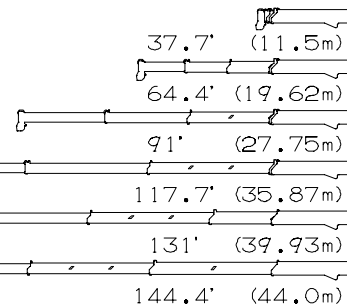


NOTE: 1. Boom and jib geometry shown are for unloaded condition and machine standing level on firm supporting surface. Boom deflection and subsequent radius and boom angle change must be accounted for when applying load to hook.

GT-900XL WORKING RANGE CHART



Boom Length in Feet



NOTE: 1. Boom and jib geometry shown are for unloaded condition and machine standing level on firm supporting surface. Boom deflection and subsequent radius and boom angle change must be accounted for when applying load to hook.

RATED LIFTING CAPACITY TABLE

NOTES

■ The performances of the rated lifting capacities are classified as shown in the table below.

- Boom lift , Single top lift

Counter weight Outrigger extension width	39,500 lbs (17.9 t)	35,000 lbs (15.9 t)	16,500 lbs (7.4 t)	11,500 lbs (5.1 t)	0 lbs (0 t)
23' 7 1/2" (7.2 m)	A	B	C	D	E
15' 9" (4.8 m)	F	G	H	I	J
6' 9 7/8" (2.08 m)			K*	L*	M*

*: **K, L, M** rated lifting capacity is available with 37.7' (11.5 m) boom length only.

- Jib lift

Counter weight Outrigger extension width	39,500 lbs (17.9 t)	35,000 lbs (15.9 t)	16,500 lbs (7.4 t)	11,500 lbs (5.1 t)	0 lbs (0 t)
23' 7 1/2" (7.2 m)	JA	JB	JC	JD	JE
15' 9" (4.8 m)	JF	JG	JH		
6' 9 7/8" (2.08 m)					

A **GT-900XL RATED LIFTING CAPACITIES (IN POUNDS)**

ON OUTRIGGERS FULLY EXTENDED 23' 7-1/2" (7.2m) SPREAD, 39,500lbs COUNTERWEIGHT, 360° ROTATION																				
B \ A	37.7 (11.5m)		51 (15.56m)		64.4 (19.62m)		91 (27.75m)		117.7 (35.87m)		131 (39.93m)		144.4 (44.0m)							
	C	C	C	C	C	C	C	C	C	C	C	C								
8'	71	180,000																		
10'	68	160,000	74	103,600	78	88,100	78	44,000												
12'	65	140,000	72	103,600	76	88,100	76	44,000												
15'	60	120,500	68	103,600	73	88,100	73	44,000	79	44,000	79	30,800								
20'	50	90,000	62	89,200	69	71,900	69	44,000	76	44,000	76	30,800	80	30,800	80	17,600				
25'	38	70,500	55	69,700	64	61,300	64	44,000	73	44,000	73	30,800	77	30,800	77	17,600	79	17,600		
30'	21	45,900	48	56,500	58	53,400	58	44,000	69	41,300	69	29,500	75	30,800	75	17,600	77	17,600	78	17,600
35'			39	47,000	53	46,400	53	42,100	66	35,900	66	25,600	72	30,800	72	17,600	75	17,600	76	17,600
40'			28	39,000	47	38,200	47	38,100	62	31,800	62	22,600	70	27,400	70	17,600	73	17,600	74	17,600
45'					40	31,000	40	34,600	59	28,300	59	20,100	67	24,200	67	17,600	70	17,600	72	17,600
50'					32	25,600	32	30,800	55	25,500	55	18,100	64	21,600	64	16,200	68	17,600	70	17,600
60'									46	20,800	46	14,900	59	17,400	59	13,200	63	14,700	66	15,300
70'									36	15,600	36	12,600	52	14,400	52	10,900	58	12,200	61	12,500
80'									22	11,900	22	10,900	46	12,100	46	9,200	52	10,300	56	10,400
90'													38	10,200	38	7,900	46	8,700	51	8,700
100'													28	8,200	28	6,900	39	7,400	46	7,300
110'													13	6,500	13	6,100	31	6,400	39	6,100
120'																	19	5,500	32	5,200
130'																			23	4,400
D	0°																			
Telescoping conditions (%)																				
Telescoping mode	I, II	I	I	II	I	II	I	II	I	II	II	I, II								
2nd boom	0	50	100	0	100	0	100	0	100	0	50	100								
3rd boom	0	0	0	33	33	66	66	100	100	100	100	100								
4th boom	0	0	0	33	33	66	66	100	100	100	100	100								
Top boom	0	0	0	33	33	66	66	100	100	100	100	100								

A: Boom length in feet
 B: Load radius in feet
 C: Loaded boom angle (°)
 D: Minimum boom angle (°) for indicated length (no load)

LIFTING CAPACITIES AT ZERO DEGREE BOOM ANGLE ON OUTRIGGERS FULLY EXTENDED 23' 7-1/2" (7.2m) SPREAD, 39,500lbs COUNTERWEIGHT, 360° ROTATION																				
E \ A	37.7 (11.5m)		51 (15.56m)		64.4 (19.62m)		64.4 (19.62m)		91 (27.75m)		91 (27.75m)		117.7 (35.87m)		117.7 (35.87m)		131 (39.93m)		144.4 (44.0m)	
	B	B	B	B	B	B	B	B	B	B	B	B	B	B	B	B	B	B		
0	31.7	30,200	45.0	17,900	58.3	10,100	58.3	15,700	85.0	7,700	85.0	7,900	111	6,000	111	5,700	125	4,200	138	1,100
Telescoping mode	I, II	I	I	II	I	II	I	II	I	II	I	II	I	II	II	II	II	I, II		

A: Boom length in feet
 B: Load radius in feet
 E: Boom angle (°)

NOTE: • The lifting capacity data stored in the LOAD MOMENT INDICATOR (AML-L) is based on the standard number of parts of line listed in the following table:
 • Standard number of parts of line for each boom length shall be according to the following table:

Boom Length in Feet (meters)	37.7' (11.5)	37.7' to 51' (11.5 to 15.56)	51' to 64.4' (15.56 to 19.62)	64.4' to 91' (19.62 to 27.75)	91' to 144.4' (27.75 to 44.0)	Single top Jib
Number of parts of line	16	12	10	5	4	1



JA GT-900XL RATED LIFTING CAPACITIES (IN POUNDS)

ON OUTRIGGERS FULLY EXTENDED 23' 7-1/2" (7.2m) SPREAD, 39,500lbs COUNTERWEIGHT, 360° ROTATION						
Boom Angle in Degree	144.4' (44.0m) Boom + 32.5' (9.9m) Jib					
	3.5° Tilt		25° Tilt		45° Tilt	
	R	W	R	W	R	W
80°	32.1	9,900	44.2	8,800	51.9	8,100
75°	50.0	9,900	60.6	8,700	66.4	7,300
70°	66.1	9,700	75.0	7,600	79.9	6,600
65°	80.2	7,900	88.8	6,600	92.4	6,000
60°	93.4	6,400	101.0	5,800	105.0	5,500
55°	106.0	5,100	113.0	4,700	116.0	4,700
50°	117.0	4,100	123.0	3,900	126.0	3,900
45°	127.0	3,400	133.0	3,200	135.0	3,300
40°	137.0	2,800	142.0	2,700		
35°	145.0	2,300	149.0	2,300		
30°	152.0	2,000	156.0	1,900		
25°	159.0	1,700	162.0	1,700		
20°	164.0	1,500				
15°	168.0	1,300				

ON OUTRIGGERS FULLY EXTENDED 23' 7-1/2" (7.2m) SPREAD, 39,500lbs COUNTERWEIGHT, 360° ROTATION						
Boom Angle in Degree	144.4' (44.0m) Boom + 58.1' (17.7m) J b					
	3.5° Tilt		25° Tilt		45° Tilt	
	R	W	R	W	R	W
80°	39.9	5,900	64.3	5,400	73.8	3,400
75°	59.6	5,900	82.2	4,800	89.9	3,400
70°	78.3	5,900	98.4	4,200	105.0	3,400
65°	94.7	4,900	113.0	3,700	118.0	3,100
60°	109.0	4,200	127.0	3,300	130.0	2,900
55°	121.0	3,400	140.0	3,000	141.0	2,700
50°	136.0	2,700	152.0	2,600	151.0	2,500
45°	148.0	2,100	161.0	2,000	161.0	2,000
40°	159.0	1,600	171.0	1,600		
35°	169.0	1,200	179.0	1,200		

ON OUTRIGGERS FULLY EXTENDED 23' 7-1/2" (7.2m) SPREAD, 39,500lbs COUNTERWEIGHT, 360° ROTATION						
Boom Angle in Degree	117.7' (35.87m) Boom (telescoping mode I) + 32.5' (9.9m) Jib					
	3.5° Tilt		25° Tilt		45° Tilt	
	R	W	R	W	R	W
80°	25.6	12,300	36.7	10,300	44.2	8,300
75°	39.7	12,300	50.6	10,000	56.5	8,000
70°	53.3	12,300	62.8	8,800	67.6	7,400
65°	65.3	10,500	74.1	7,900	77.9	6,800
60°	76.8	9,100	84.7	7,100	88.0	6,400
55°	87.5	8,000	94.7	6,500	97.6	6,000
50°	97.2	7,100	104.0	6,000	106.0	5,700
45°	106.0	6,100	112.0	5,700	114.0	5,500
40°	114.0	5,300	120.0	5,100		
35°	122.0	4,700	126.0	4,600		
30°	128.0	4,300	132.0	4,200		
25°	134.0	4,000	137.0	3,900		
20°	138.0	3,700				
15°	142.0	3,500				

ON OUTRIGGERS FULLY EXTENDED 23' 7-1/2" (7.2m) SPREAD, 39,500lbs COUNTERWEIGHT, 360° ROTATION						
Boom Angle in Degree	117.7' (35.87m) Boom (telescoping mode I) + 58.1' (17.7m) J b					
	3.5° Tilt		25° Tilt		45° Tilt	
	R	W	R	W	R	W
80°	32.9	7,900	54.8	5,700	66.7	3,700
75°	49.5	7,900	69.8	5,200	80.1	3,700
70°	64.9	7,100	83.8	4,700	92.1	3,600
65°	79.0	6,000	96.6	4,200	103.0	3,500
60°	92.6	5,100	109.0	3,800	113.0	3,300
55°	105.0	4,500	119.0	3,500	123.0	3,100
50°	117.0	4,000	129.0	3,200	131.0	3,000
45°	127.0	3,600	138.0	3,000	139.0	2,900
40°	137.0	3,300	146.0	2,900		
35°	145.0	3,100	153.0	2,800		
30°	152.0	2,800	159.0	2,700		
25°	159.0	2,500	163.0	2,400		
20°	163.0	2,200				
15°	167.0	2,100				

ON OUTRIGGERS FULLY EXTENDED 23' 7-1/2" (7.2m) SPREAD, 39,500lbs COUNTERWEIGHT, 360° ROTATION						
Boom Angle in Degree	117.7' (35.87m) Boom (telescoping mode II) + 32.5' (9.9m) Jib					
	3.5° Tilt		25° Tilt		45° Tilt	
	R	W	R	W	R	W
80°	25.3	11,000	38.2	10,300	45.6	8,300
75°	40.5	11,000	51.5	9,300	57.6	7,700
70°	54.2	10,600	63.5	8,000	68.7	6,900
65°	65.8	8,600	74.9	7,000	79.2	6,200
60°	77.0	7,100	85.5	6,200	89.2	5,700
55°	87.5	5,900	95.4	5,300	98.5	5,200
50°	97.4	5,000	104.0	4,600	107.0	4,500
45°	106.0	4,300	113.0	4,100	114.0	4,000
40°	115.0	3,800	120.0	3,600		
35°	122.0	3,400	127.0	3,300		
30°	128.0	3,100	132.0	3,000		
25°	134.0	2,800	137.0	2,800		
20°	138.0	2,700				
15°	142.0	2,500				

ON OUTRIGGERS FULLY EXTENDED 23' 7-1/2" (7.2m) SPREAD, 39,500lbs COUNTERWEIGHT, 360° ROTATION						
Boom Angle in Degree	117.7' (35.87m) Boom (telescoping mode II) + 58.1' (17.7m) J b					
	3.5° Tilt		25° Tilt		45° Tilt	
	R	W	R	W	R	W
80°	33.5	6,300	55.9	5,700	66.9	3,700
75°	50.7	6,300	71.1	5,100	80.6	3,700
70°	66.3	6,300	84.6	4,400	92.6	3,600
65°	80.4	5,300	97.3	3,900	103.0	3,300
60°	93.6	4,500	109.0	3,500	114.0	3,000
55°	106.0	3,900	120.0	3,100	123.0	2,800
50°	117.0	3,300	130.0	2,800	132.0	2,700
45°	127.0	2,800	139.0	2,600	140.0	2,500
40°	137.0	2,400	146.0	2,300		
35°	145.0	2,100	153.0	2,000		
30°	152.0	1,900	159.0	1,800		
25°	159.0	1,700	163.0	1,700		
20°	164.0	1,500				
15°	168.0	1,500				

R: Load radius in feet
 W: Rated lifting capacity in pounds



B GT-900XL RATED LIFTING CAPACITIES (IN POUNDS)

ON OUTRIGGERS FULLY EXTENDED 23' 7-1/2" (7.2m) SPREAD, 35,000lbs COUNTERWEIGHT, 360° ROTATION																				
B \ A	37.7 (11.5m)		51 (15.56m)		64.4 (19.62m)		91 (27.75m)			117.7 (35.87m)			131 (39.93m)		144.4 (44.0m)					
	C	C	C	C	C	C	C	C	C	C	C	C	C	C	C					
10'	68	160,000	74	103,600	78	88,100	78	44,000												
12'	65	140,000	72	103,600	76	88,100	76	44,000												
15'	60	119,600	68	103,600	73	88,100	73	44,000	79	44,000	79	30,800								
20'	50	88,200	62	87,400	69	71,900	69	44,000	76	44,000	76	30,800	80	30,800	80	17,600				
25'	38	69,100	55	68,300	64	61,300	64	44,000	73	44,000	73	30,800	77	30,800	77	17,600	79	17,600		
30'	21	45,900	48	55,300	58	53,400	58	44,000	69	41,300	69	29,500	75	30,800	75	17,600	77	17,600	78	17,600
35'			39	45,400	53	44,900	53	42,100	66	35,900	66	25,600	72	30,800	72	17,600	75	17,600	76	17,600
40'			28	36,500	47	35,700	47	38,100	62	31,800	62	22,600	70	27,400	70	17,600	73	17,600	74	17,600
45'					40	28,800	40	34,100	59	28,300	59	20,100	67	24,200	67	17,600	70	17,600	72	17,600
50'					32	23,700	32	28,800	55	25,500	55	18,100	64	21,600	64	16,200	68	17,600	70	17,600
60'									46	19,300	46	14,900	59	17,400	59	13,200	63	14,700	66	15,300
70'									36	14,300	36	12,600	52	14,400	52	10,900	58	12,200	61	12,500
80'									22	10,800	22	10,900	46	12,100	46	9,200	52	10,300	56	10,400
90'													38	9,400	38	7,900	46	8,700	51	8,700
100'													28	7,400	28	6,900	39	7,400	46	7,300
110'													13	5,800	13	6,100	31	6,400	39	6,100
120'																	19	5,500	32	5,000
130'																			23	3,900
D	0°																			
Telescoping conditions (%)																				
Telescoping mode	I, II	I	I	I	II	I	II	I	II	I	II	I	II	II	I, II					
2nd boom	0	50	100	0	100	0	100	0	100	0	100	0	100	50	100					
3rd boom	0	0	0	33	33	66	66	100	100	100	100	100	100	100	100					
4th boom	0	0	0	33	33	66	66	100	100	100	100	100	100	100	100					
Top boom	0	0	0	33	33	66	66	100	100	100	100	100	100	100	100					

- A: Boom length in feet
- B: Load radius in feet
- C: Loaded boom angle (°)
- D: Minimum boom angle (°) for indicated length (no load)

LIFTING CAPACITIES AT ZERO DEGREE BOOM ANGLE ON OUTRIGGERS FULLY EXTENDED 23' 7-1/2" (7.2m) SPREAD, 35,000lbs COUNTERWEIGHT, 360° ROTATION																				
E \ A	37.7 (11.5m)		51 (15.56m)		64.4 (19.62m)		64.4 (19.62m)		91 (27.75m)		91 (27.75m)		117.7 (35.87m)		117.7 (35.87m)		131 (39.93m)		144.4 (44.0m)	
	B	B	B	B	B	B	B	B	B	B	B	B	B	B	B	B	B	B	B	B
0	31.7	30,200	45.0	17,600	58.3	10,100	58.3	15,700	85.0	7,500	85.0	7,900	111	5,300	111	5,700	125	4,200	138	1,100
Telescoping mode	I, II	I	I	I	II	I	II	I	II	I	II	I	II	I	II	II	I, II			

- A: Boom length in feet
- B: Load radius in feet
- E: Boom angle (°)

NOTE: • The lifting capacity data stored in the LOAD MOMENT INDICATOR (AML-L) is based on the standard number of parts of line listed in the following table:
 • Standard number of parts of line for each boom length shall be according to the following table:

Boom Length in Feet (meters)	37.7' (11.5)	37.7' to 51' (11.5 to 15.56)	51' to 64.4' (15.56 to 19.62)	64.4' to 91' (19.62 to 27.75)	91' to 144.4' (27.75 to 44.0)	Single top Jib
Number of parts of line	16	12	10	5	4	1



JB GT-900XL RATED LIFTING CAPACITIES (IN POUNDS)

ON OUTRIGGERS FULLY EXTENDED 23' 7-1/2" (7.2m) SPREAD, 35,000lbs COUNTERWEIGHT, 360° ROTATION												
Boom Angle in Degree	144.4' (44.0m) Boom + 32.5' (9.9m) Jib						144.4' (44.0m) Boom + 58.1' (17.7m) Jib					
	3.5° Tilt		25° Tilt		45° Tilt		3.5° Tilt		25° Tilt		45° Tilt	
	R	W	R	W	R	W	R	W	R	W	R	W
80°	32.1	9,900	44.2	8,800	51.9	8,100	39.9	5,900	64.3	5,400	73.8	3,400
75°	50.0	9,900	60.6	8,700	66.4	7,300	59.6	5,900	82.2	4,800	89.9	3,400
70°	66.1	9,700	75.0	7,600	79.9	6,600	78.3	5,900	98.4	4,200	105.0	3,400
65°	80.2	7,900	88.8	6,600	92.4	6,000	94.7	4,900	113.0	3,700	118.0	3,100
60°	93.4	6,400	101.0	5,800	105.0	5,500	109.0	4,200	127.0	3,300	130.0	2,900
55°	106.0	5,100	113.0	4,700	116.0	4,700	121.0	3,400	140.0	3,000	141.0	2,700
50°	117.0	4,100	123.0	3,900	126.0	3,900	136.0	2,700	152.0	2,600	151.0	2,500
45°	127.0	3,400	133.0	3,200	135.0	3,300	148.0	2,100	161.0	2,000	161.0	2,000
40°	137.0	2,800	142.0	2,700			159.0	1,600	171.0	1,600		
35°	145.0	2,300	149.0	2,300			169.0	1,200	179.0	1,200		
30°	152.0	2,000	156.0	1,900								
25°	159.0	1,700	162.0	1,700								
20°	164.0	1,500										
15°	168.0	1,300										

ON OUTRIGGERS FULLY EXTENDED 23' 7-1/2" (7.2m) SPREAD, 35,000lbs COUNTERWEIGHT, 360° ROTATION												
Boom Angle in Degree	117.7' (35.87m) Boom (telescoping mode I) + 32.5' (9.9m) Jib						117.7' (35.87m) Boom (telescoping mode I) + 58.1' (17.7m) Jib					
	3.5° Tilt		25° Tilt		45° Tilt		3.5° Tilt		25° Tilt		45° Tilt	
	R	W	R	W	R	W	R	W	R	W	R	W
80°	25.6	12,300	36.7	10,300	44.2	8,300	32.9	7,900	54.8	5,700	66.7	3,700
75°	39.7	12,300	50.6	10,000	56.5	8,000	49.5	7,900	69.8	5,200	80.1	3,700
70°	53.3	12,300	62.8	8,800	67.6	7,400	64.9	7,100	83.8	4,700	92.1	3,600
65°	65.3	10,500	74.1	7,900	77.9	6,800	79.0	6,000	96.6	4,200	103.0	3,500
60°	76.8	9,100	84.7	7,100	88.0	6,400	92.6	5,100	109.0	3,800	113.0	3,300
55°	87.5	8,000	94.7	6,500	97.6	6,000	105.0	4,500	119.0	3,500	123.0	3,100
50°	97.2	7,100	104.0	6,000	106.0	5,700	117.0	4,000	129.0	3,200	131.0	3,000
45°	106.0	6,100	112.0	5,700	114.0	5,500	127.0	3,600	138.0	3,000	139.0	2,900
40°	114.0	5,300	120.0	5,100			137.0	3,300	146.0	2,900		
35°	122.0	4,700	126.0	4,600			145.0	3,100	153.0	2,800		
30°	128.0	4,300	132.0	4,200			152.0	2,800	159.0	2,700		
25°	134.0	3,900	137.0	3,800			159.0	2,500	163.0	2,400		
20°	138.0	3,400					164.0	2,200				
15°	142.0	3,200					167.0	2,100				

ON OUTRIGGERS FULLY EXTENDED 23' 7-1/2" (7.2m) SPREAD, 35,000lbs COUNTERWEIGHT, 360° ROTATION												
Boom Angle in Degree	117.7' (35.87m) Boom (telescoping mode II) + 32.5' (9.9m) Jib						117.7' (35.87m) Boom (telescoping mode II) + 58.1' (17.7m) Jib					
	3.5° Tilt		25° Tilt		45° Tilt		3.5° Tilt		25° Tilt		45° Tilt	
	R	W	R	W	R	W	R	W	R	W	R	W
80°	25.3	11,000	38.2	10,300	45.6	8,300	33.5	6,300	55.9	5,700	66.9	3,700
75°	40.5	11,000	51.5	9,300	57.6	7,700	50.7	6,300	71.1	5,100	80.6	3,700
70°	54.2	10,600	63.5	8,000	68.7	6,900	66.3	6,300	84.6	4,400	92.6	3,600
65°	65.8	8,600	74.9	7,000	79.2	6,200	80.4	5,300	97.3	3,900	103.0	3,300
60°	77.0	7,100	85.5	6,200	89.2	5,700	93.6	4,500	109.0	3,500	114.0	3,000
55°	87.5	5,900	95.4	5,300	98.5	5,200	106.0	3,900	120.0	3,100	123.0	2,800
50°	97.4	5,000	104.0	4,600	107.0	4,500	117.0	3,300	130.0	2,800	132.0	2,700
45°	106.0	4,300	113.0	4,100	114.0	4,000	127.0	2,800	139.0	2,600	140.0	2,500
40°	115.0	3,800	120.0	3,600			137.0	2,400	146.0	2,300		
35°	122.0	3,400	127.0	3,300			145.0	2,100	153.0	2,000		
30°	128.0	3,100	132.0	3,000			152.0	1,900	159.0	1,800		
25°	134.0	2,800	137.0	2,800			159.0	1,700	163.0	1,700		
20°	138.0	2,700					164.0	1,500				
15°	142.0	2,500					168.0	1,500				

R: Load radius in feet
 W: Rated lifting capacity in pounds



C GT-900XL RATED LIFTING CAPACITIES (IN POUNDS)

ON OUTRIGGERS FULLY EXTENDED 23' 7-1/2" (7.2m) SPREAD, 16,500lbs COUNTERWEIGHT, 360° ROTATION																				
A B	37.7 (11.5m)		51 (15.56m)		64.4 (19.62m)		91 (27.75m)		117.7 (35.87m)			131 (39.93m)		144.4 (44.0m)						
	C	C	C	C	C	C	C	C	C	C	C	C	C							
10'	68	160,000	74	103,600	78	88,100	78	44,000												
12'	65	137,400	72	103,600	76	88,100	76	44,000												
15'	60	109,500	68	103,600	73	88,100	73	44,000	79	44,000	79	30,800								
20'	50	80,500	62	79,800	69	71,900	69	44,000	76	44,000	76	30,800	80	30,800	80	17,600				
25'	38	62,500	55	61,600	64	60,900	64	44,000	73	44,000	73	30,800	77	30,800	77	17,600	79	17,600		
30'	21	45,400	48	44,200	58	43,200	58	44,000	69	41,300	69	29,500	75	30,800	75	17,600	77	17,600	78	17,600
35'			39	33,100	53	32,300	53	38,100	66	35,600	66	25,600	72	30,800	72	17,600	75	17,600	76	17,600
40'			28	25,700	47	24,900	47	30,400	62	28,100	62	22,600	70	27,400	70	17,600	73	17,600	74	17,600
45'					40	19,600	40	24,900	59	22,700	59	20,100	67	24,100	67	17,600	70	17,600	72	17,600
50'					32	15,600	32	20,700	55	18,600	55	18,100	64	20,000	64	16,200	68	17,600	70	17,600
60'									46	12,800	46	14,900	59	14,200	59	13,200	63	14,700	66	14,800
70'									36	8,800	36	12,200	52	10,200	52	10,900	58	11,800	61	10,900
80'									22	6,000	22	9,400	46	7,300	46	9,200	52	8,900	56	8,000
90'													38	5,200	38	7,700	46	6,700	51	5,900
100'													28	3,500	28	6,000	39	5,000	46	4,200
110'													13	2,300	13	4,700	31	3,700	39	2,900
120'																	19	2,700	32	1,800
D	0°											20°								
Telescoping conditions (%)																				
Telescoping mode	I, II		I		I		II		I		II		I		II		II		I, II	
2nd boom	0		50		100		0		100		0		100		0		50		100	
3rd boom	0		0		0		33		33		66		66		100		100		100	
4th boom	0		0		0		33		33		66		66		100		100		100	
Top boom	0		0		0		33		33		66		66		100		100		100	

A: Boom length in feet
 B: Load radius in feet
 C: Loaded boom angle (°)
 D: Minimum boom angle (°) for indicated length (no load)

LIFTING CAPACITIES AT ZERO DEGREE BOOM ANGLE ON OUTRIGGERS FULLY EXTENDED 23' 7-1/2" (7.2m) SPREAD, 16,500lbs COUNTERWEIGHT, 360° ROTATION																		
A E	37.7 (11.5m)		51 (15.56m)		64.4 (19.62m)		64.4 (19.62m)		91 (27.75m)		91 (27.75m)		117.7 (35.87m)		117.7 (35.87m)		131 (39.93m)	
	B	B	B	B	B	B	B	B	B	B	B	B	B	B	B	B		
0	31.7	30,200	45.0	17,400	58.3	10,100	58.3	14,300	85.0	4,900	85.0	7,900	111	2,200	111	4,600	125	2,400
Telescoping mode	I, II		I		I		II		I		II		I		II		II	

A: Boom length in feet
 B: Load radius in feet
 E: Boom angle (°)

NOTE: • The lifting capacity data stored in the LOAD MOMENT INDICATOR (AML-L) is based on the standard number of parts of line listed in the following table:
 • Standard number of parts of line for each boom length shall be according to the following table:

Boom Length in Feet (meters)	37.7' (11.5)	37.7' to 51' (11.5 to 15.56)	51' to 64.4' (15.56 to 19.62)	64.4' to 91' (19.62 to 27.75)	91' to 144.4' (27.75 to 44.0)	Single top Jib
Number of parts of line	16	12	10	5	4	1

JC GT-900XL RATED LIFTING CAPACITIES (IN POUNDS)

ON OUTRIGGERS FULLY EXTENDED 23' 7-1/2" (7.2m) SPREAD, 16,500lbs COUNTERWEIGHT, 360° ROTATION						
Boom Angle in Degree	144.4' (44.0m) Boom + 32.5' (9.9m) Jib					
	3.5° Tilt		25° Tilt		45° Tilt	
	R	W	R	W	R	W
80°	32.1	9,900	44.2	8,800	51.9	8,100
75°	50.0	9,900	60.6	8,700	66.4	7,300
70°	66.1	9,700	75.0	7,600	79.9	6,600
65°	80.2	7,900	88.8	6,600	92.4	6,000
60°	92.9	5,800	101.0	5,300	104.0	5,300
55°	105.0	4,000	112.0	3,700	115.0	3,700
50°	116.0	2,600	122.0	2,500	124.0	2,500

Boom Angle in Degree	144.4' (44.0m) Boom + 58.1' (17.7m) Jib					
	3.5° Tilt		25° Tilt		45° Tilt	
	R	W	R	W	R	W
80°	39.9	5,900	64.3	5,400	73.8	3,400
75°	59.6	5,900	82.2	4,800	89.9	3,400
70°	78.3	5,900	98.4	4,200	105.0	3,400
65°	94.7	4,900	113.0	3,700	118.0	3,100
60°	109.0	3,800	127.0	3,300	130.0	2,900
55°	122.0	2,400	139.0	2,300	141.0	2,200

ON OUTRIGGERS FULLY EXTENDED 23' 7-1/2" (7.2m) SPREAD, 16,500lbs COUNTERWEIGHT, 360° ROTATION						
Boom Angle in Degree	117.7' (35.87m) Boom (telescoping mode I) + 32.5' (9.9m) Jib					
	3.5° Tilt		25° Tilt		45° Tilt	
	R	W	R	W	R	W
80°	25.6	12,300	36.7	10,300	44.2	8,300
75°	39.7	12,300	50.6	10,000	56.5	8,000
70°	53.3	12,300	62.8	8,800	67.6	7,400
65°	65.3	10,500	74.1	7,900	77.9	6,800
60°	76.8	9,100	84.7	7,100	88.0	6,400
55°	85.0	6,800	94.6	6,300	97.5	6,000
50°	96.6	5,100	103.0	4,700	106.0	4,700
45°	105.0	3,800	112.0	3,600	113.0	3,600
40°	114.0	2,800	119.0	2,700		
35°	121.0	2,000	125.0	2,000		
30°	127.0	1,500	131.0	1,400		
25°	133.0	1,000	136.0	1,000		

Boom Angle in Degree	117.7' (35.87m) Boom (telescoping mode I) + 58.1' (17.7m) Jib					
	3.5° Tilt		25° Tilt		45° Tilt	
	R	W	R	W	R	W
80°	32.9	7,900	54.8	5,700	66.7	3,700
75°	49.5	7,900	69.8	5,200	80.1	3,700
70°	64.9	7,100	83.8	4,700	92.1	3,600
65°	79.0	6,000	96.6	4,200	103.0	3,500
60°	92.6	5,100	109.0	3,800	113.0	3,300
55°	105.0	4,500	119.0	3,500	123.0	3,100
50°	116.0	3,300	129.0	3,100	131.0	3,000
45°	126.0	2,300	138.0	2,200	139.0	2,100
40°	135.0	1,600	145.0	1,500		

ON OUTRIGGERS FULLY EXTENDED 23' 7-1/2" (7.2m) SPREAD, 16,500lbs COUNTERWEIGHT, 360° ROTATION						
Boom Angle in Degree	117.7' (35.87m) Boom (telescoping mode II) + 32.5' (9.9m) Jib					
	3.5° Tilt		25° Tilt		45° Tilt	
	R	W	R	W	R	W
80°	25.3	11,000	38.2	10,300	45.6	8,300
75°	40.5	11,000	51.5	9,300	57.6	7,700
70°	54.2	10,600	63.5	8,000	68.7	6,900
65°	65.8	8,600	74.9	7,000	79.2	6,200
60°	77.0	7,100	85.5	6,200	89.2	5,700
55°	87.5	5,900	95.4	5,300	98.5	5,200
50°	97.4	5,000	104.0	4,600	107.0	4,500
45°	106.0	4,300	113.0	4,100	114.0	4,000
40°	115.0	3,800	120.0	3,600		
35°	122.0	3,400	127.0	3,300		
30°	128.0	3,100	132.0	3,000		
25°	134.0	2,800	137.0	2,800		
20°	138.0	2,500				
15°	142.0	2,300				

Boom Angle in Degree	117.7' (35.87m) Boom (telescoping mode II) + 58.1' (17.7m) Jib					
	3.5° Tilt		25° Tilt		45° Tilt	
	R	W	R	W	R	W
80°	33.5	6,300	55.9	5,700	66.9	3,700
75°	50.7	6,300	71.1	5,100	80.6	3,700
70°	66.3	6,300	84.6	4,400	92.6	3,600
65°	80.4	5,300	97.3	3,900	103.0	3,300
60°	93.6	4,500	109.0	3,500	114.0	3,000
55°	106.0	3,900	120.0	3,100	123.0	2,800
50°	117.0	3,300	130.0	2,800	132.0	2,700
45°	127.0	2,800	139.0	2,600	140.0	2,500
40°	137.0	2,400	146.0	2,300		
35°	145.0	2,100	153.0	2,000		
30°	152.0	1,900	159.0	1,800		
25°	159.0	1,700	163.0	1,700		
20°	164.0	1,500				
15°	167.0	1,300				

R: Load radius in feet
 W: Rated lifting capacity in pounds



D

GT-900XL RATED LIFTING CAPACITIES (IN POUNDS)

ON OUTRIGGERS FULLY EXTENDED 23' 7-1/2" (7.2m) SPREAD, 11,500lbs COUNTERWEIGHT, 360° ROTATION															
A B	37.7 (11.5m)		51 (15.56m)		64.4 (19.62m)		91 (27.75m)		117.7 (35.87m)		131 (39.93m)		144.4 (44.0m)		
	C	C	C	C	C	C	C	C	C	C	C	C	C	C	
10'	68	160,000	74	103,600	78	88,100	78	44,000							
12'	65	134,100	72	103,600	76	88,100	76	44,000							
15'	60	106,800	68	103,600	73	88,100	73	44,000	79	44,000	79	30,800			
20'	50	78,500	62	77,700	69	71,900	69	44,000	76	44,000	76	30,800	80	17,600	
25'	38	57,800	55	56,400	64	55,100	64	44,000	73	44,000	73	30,800	77	17,600	
30'	21	41,100	48	39,800	58	38,800	58	44,000	69	41,300	69	29,500	75	17,600	
35'			39	29,600	53	28,800	53	34,600	66	32,100	66	25,600	72	17,600	
40'			28	22,800	47	22,000	47	27,500	62	25,100	62	22,600	70	17,600	
45'					40	17,100	40	22,300	59	20,100	59	20,100	67	17,600	
50'					32	13,300	32	18,500	55	16,400	55	18,100	64	17,600	
60'									46	10,800	46	14,400	59	12,200	
70'									36	7,100	36	10,500	52	8,500	
80'									22	4,500	22	7,900	46	5,800	
90'												38	3,900	38	6,400
100'												28	2,400	28	4,900
110'												13	1,200	13	3,700
120'												19	1,700		
D	0°											17°	36°		
Telescoping conditions (%)															
Telescoping mode	I, II	I	I	I	II	I	II	I	II	I	II	II	I, II	I, II	
2nd boom	0	50	100	0	100	0	100	0	100	0	50	100	100	100	
3rd boom	0	0	0	33	33	66	66	100	100	100	100	100	100	100	
4th boom	0	0	0	33	33	66	66	100	100	100	100	100	100	100	
Top boom	0	0	0	33	33	66	66	100	100	100	100	100	100	100	

A: Boom length in feet
 B: Load radius in feet
 C: Loaded boom angle (°)
 D: Minimum boom angle (°) for indicated length (no load)

LIFTING CAPACITIES AT ZERO DEGREE BOOM ANGLE ON OUTRIGGERS FULLY EXTENDED 23' 7-1/2" (7.2m) SPREAD, 11,500lbs COUNTERWEIGHT, 360° ROTATION														
A E	37.7 (11.5m)		51 (15.56m)		64.4 (19.62m)		91 (27.75m)		91 (27.75m)		117.7 (35.87m)		117.7 (35.87m)	
	B	B	B	B	B	B	B	B	B	B	B	B	B	B
0	31.7	30,200	45.0	17,400	58.3	7,100	58.3	11,900	85.0	3,300	85.0	6,800	111	1,100
Telescoping mode	I, II	I	I	I	II	I	II	I	II	I	II	I	II	

A: Boom length in feet
 B: Load radius in feet
 E: Boom angle (°)

NOTE: • The lifting capacity data stored in the LOAD MOMENT INDICATOR (AML-L) is based on the standard number of parts of line listed in the following table:
 • Standard number of parts of line for each boom length shall be according to the following table:

Boom Length in Feet (meters)	37.7' (11.5)	37.7' to 51' (11.5 to 15.56)	51' to 64.4' (15.56 to 19.62)	64.4' to 91' (19.62 to 27.75)	91' to 144.4' (27.75 to 44.0)	Single top Jib
Number of parts of line	16	12	10	5	4	1

JD GT-900XL RATED LIFTING CAPACITIES (IN POUNDS)

ON OUTRIGGERS FULLY EXTENDED 23' 7-1/2" (7.2m) SPREAD, 11,500lbs COUNTERWEIGHT, 360° ROTATION												
Boom Angle in Degree	144.4' (44.0m) Boom + 32.5' (9.9m) Jib						144.4' (44.0m) Boom + 58.1' (17.7m) Jib					
	3.5° Tilt		25° Tilt		45° Tilt		3.5° Tilt		25° Tilt		45° Tilt	
	R	W	R	W	R	W	R	W	R	W	R	W
80°	32.1	9,900	44.2	8,800	51.9	8,100	39.9	5,900	64.3	5,400	73.8	3,400
75°	50.0	9,900	60.6	8,700	66.4	7,300	59.6	5,900	82.2	4,800	89.9	3,400
70°	66.1	9,700	75.0	7,600	79.9	6,600	78.3	5,900	98.4	4,200	105.0	3,400
65°	79.4	7,000	88.6	6,300	92.4	6,000	93.8	4,600	113.0	3,700	118.0	3,100
60°	91.6	4,600	99.8	4,200	104.0	4,200	107.0	2,800	126.0	2,700	130.0	2,500
55°	103.0	2,900	111.0	2,700	114.0	2,700						

ON OUTRIGGERS FULLY EXTENDED 23' 7-1/2" (7.2m) SPREAD, 11,500lbs COUNTERWEIGHT, 360° ROTATION												
Boom Angle in Degree	117.7' (35.87m) Boom (telescoping mode I) + 32.5' (9.9m) Jib						117.7' (35.87m) Boom (telescoping mode I) + 58.1' (17.7m) Jib					
	3.5° Tilt		25° Tilt		45° Tilt		3.5° Tilt		25° Tilt		45° Tilt	
	R	W	R	W	R	W	R	W	R	W	R	W
80°	25.6	12,300	36.7	10,300	44.2	8,300	32.9	7,900	54.8	5,700	66.7	3,700
75°	39.7	12,300	50.6	10,000	56.5	8,000	49.5	7,900	69.8	5,200	80.1	3,700
70°	53.3	12,300	62.8	8,800	67.6	7,400	64.9	7,100	83.8	4,700	92.1	3,600
65°	65.5	10,500	74.1	7,900	77.9	6,800	79.0	6,000	96.6	4,200	103.0	3,500
60°	76.4	7,800	84.5	6,900	88.0	6,400	92.6	5,100	109.0	3,800	113.0	3,300
55°	86.4	5,500	94.0	5,000	97.2	5,000	104.0	3,600	119.0	3,200	123.0	3,100
50°	96.2	3,900	103.0	3,600	105.0	3,600	116.0	2,300	129.0	2,200	131.0	2,100
45°	105.0	2,700	111.0	2,500	113.0	2,600						
40°	113.0	1,800	119.0	1,700								

ON OUTRIGGERS FULLY EXTENDED 23' 7-1/2" (7.2m) SPREAD, 11,500lbs COUNTERWEIGHT, 360° ROTATION												
Boom Angle in Degree	117.7' (35.87m) Boom (telescoping mode II) + 32.5' (9.9m) Jib						117.7' (35.87m) Boom (telescoping mode II) + 58.1' (17.7m) Jib					
	3.5° Tilt		25° Tilt		45° Tilt		3.5° Tilt		25° Tilt		45° Tilt	
	R	W	R	W	R	W	R	W	R	W	R	W
80°	25.3	11,000	38.2	10,300	45.6	8,300	33.5	6,300	55.9	5,700	66.9	3,700
75°	40.5	11,000	51.5	9,300	57.6	7,700	50.7	6,300	71.1	5,100	80.6	3,700
70°	54.2	10,600	63.5	8,000	68.7	6,900	66.3	6,300	84.6	4,400	92.6	3,600
65°	65.8	8,600	74.9	7,000	79.2	6,200	80.4	5,300	97.3	3,900	103.0	3,300
60°	77.0	7,100	85.5	6,200	89.2	5,700	93.6	4,500	109.0	3,500	114.0	3,000
55°	87.5	5,900	95.4	5,300	98.5	5,200	106.0	3,900	120.0	3,100	123.0	2,800
50°	97.4	5,000	104.0	4,600	107.0	4,500	117.0	3,300	130.0	2,800	132.0	2,700
45°	106.0	4,300	113.0	4,100	114.0	4,000	127.0	2,800	138.0	2,600	139.0	2,500
40°	114.0	3,600	120.0	3,400			137.0	2,300	146.0	2,100		
35°	122.0	2,900	126.0	2,800			145.0	1,700	152.0	1,700		
30°	128.0	2,400	132.0	2,300			152.0	1,300	158.0	1,300		
25°	134.0	2,000	137.0	2,000			158.0	1,000	163.0	1,000		
20°	138.0	1,700										
15°	142.0	1,500										

R: Load radius in feet
 W: Rated lifting capacity in pounds



E GT-900XL RATED LIFTING CAPACITIES (IN POUNDS)

ON OUTRIGGERS FULLY EXTENDED 23' 7-1/2" (7.2m) SPREAD, 0lbs COUNTERWEIGHT, 360° ROTATION														
A B	37.7 (11.5m)		51 (15.56m)		64.4 (19.62m)		91 (27.75m)		117.7 (35.87m)		131 (39.93m)		144.4 (44.0m)	
	C	C	C	C	C	C	C	C	C	C	C	C	C	C
10'	68	152,100	74	103,600	78	88,100	78	44,000						
12'	65	126,800	72	103,600	76	88,100	76	44,000						
15'	60	100,900	68	100,100	73	88,100	73	44,000	79	44,000	79	30,800		
20'	50	71,900	62	69,800	69	68,300	69	44,000	76	44,000	76	30,800	80	17,600
25'	38	45,400	55	44,000	64	42,800	64	44,000	73	44,000	73	30,800	77	17,600
30'	21	31,600	48	30,400	58	29,400	58	35,700	69	32,900	69	29,500	75	17,600
35'			39	21,700	53	20,800	53	27,000	66	24,300	66	25,600	72	17,600
40'			28	15,600	47	14,800	47	20,800	62	18,100	62	22,300	70	17,600
45'					40	10,600	40	16,300	59	13,800	59	17,800	67	17,600
50'					32	7,500	32	12,900	55	10,600	55	14,400	64	17,600
60'									46	6,200	46	9,800	59	17,600
70'									36	3,300	36	6,700	52	17,600
80'											22	4,600	46	17,600
90'													38	17,600
100'													28	17,600
110'													13	17,600
D	0°				34°				10°		43°		48°	
Telescoping conditions (%)														
Telescoping mode	I, II	I	I	II	I	II	I	II	I	II	II	I, II	I, II	I, II
2nd boom	0	50	100	0	100	0	100	0	100	0	50	100	100	100
3rd boom	0	0	0	33	33	66	66	100	100	100	100	100	100	100
4th boom	0	0	0	33	33	66	66	100	100	100	100	100	100	100
Top boom	0	0	0	33	33	66	66	100	100	100	100	100	100	100

- A: Boom length in feet
- B: Load radius in feet
- C: Loaded boom angle (°)
- D: Minimum boom angle (°) for indicated length (no load)

LIFTING CAPACITIES AT ZERO DEGREE BOOM ANGLE ON OUTRIGGERS FULLY EXTENDED 23' 7-1/2" (7.2m) SPREAD, 0lbs COUNTERWEIGHT, 360° ROTATION														
A E	37.7 (11.5m)		51 (15.56m)		64.4 (19.62m)		64.4 (19.62m)		91 (27.75m)		91 (27.75m)			
	B	B	B	B	B	B	B	B	B	B	B	B		
0	31.7	29,100	45.0	12,100	58.3	4,600	58.3	9,300	85.0	1,100	85.0	4,000		
Telescoping mode	I, II		I		I		II		I		II			

- A: Boom length in feet
- B: Load radius in feet
- E: Boom angle (°)

- NOTE:
- The lifting capacity data stored in the LOAD MOMENT INDICATOR (AML-L) is based on the standard number of parts of line listed in the following table:
 - Standard number of parts of line for each boom length shall be according to the following table:

Boom Length in Feet (meters)	37.7' (11.5)	37.7' to 51' (11.5 to 15.56)	51' to 64.4' (15.56 to 19.62)	64.4' to 91' (19.62 to 27.75)	91' to 144.4' (27.75 to 44.0)	Single top Jib
Number of parts of line	16	12	10	5	4	1



JE GT-900XL RATED LIFTING CAPACITIES (IN POUNDS)

ON OUTRIGGERS FULLY EXTENDED 23' 7-1/2" (7.2m) SPREAD, 0 bs COUNTERWEIGHT, 360° ROTATION						
Boom Angle in Degree	144.4' (44.0m) Boom + 32.5' (9.9m) Jib					
	3.5° Tilt		25° Tilt		45° Tilt	
	R	W	R	W	R	W
80°	32.1	9,900	44.2	8,800	51.9	8,100
75°	50.0	9,900	60.6	8,700	66.4	7,300
70°	63.8	6,800	73.7	5,900	79.1	5,700
65°	76.7	3,800	85.7	3,400	90.5	3,400

ON OUTRIGGERS FULLY EXTENDED 23' 7-1/2" (7.2m) SPREAD, 0 bs COUNTERWEIGHT, 360° ROTATION						
Boom Angle in Degree	117.7' (35.87m) Boom (telescoping mode I) + 32.5' (9.9m) Jib					
	3.5° Tilt		25° Tilt		45° Tilt	
	R	W	R	W	R	W
80°	25.6	12,300	36.7	10,300	44.2	8,300
75°	39.7	12,300	50.6	10,000	56.5	8,000
70°	53.0	11,300	62.8	8,800	67.6	7,400
65°	64.4	7,100	73.4	6,200	77.5	5,900
60°	75.0	4,400	83.5	4,000	87.0	3,900
55°	85.6	2,600			96.2	2,400

Boom Angle in Degree	117.7' (35.87m) Boom (telescoping mode I) + 58.1' (17.7m) Jib					
	3.5° Tilt		25° Tilt		45° Tilt	
	R	W	R	W	R	W
80°	32.9	7,900	54.8	5,700	66.7	3,700
75°	49.5	7,900	69.8	5,200	80.1	3,700
70°	65.3	7,100	83.8	4,700	92.1	3,600
65°	77.9	4,500	96.4	3,900	103.0	3,500

ON OUTRIGGERS FULLY EXTENDED 23' 7-1/2" (7.2m) SPREAD, 0 bs COUNTERWEIGHT, 360° ROTATION						
Boom Angle in Degree	117.7' (35.87m) Boom (telescoping mode II) + 32.5' (9.9m) Jib					
	3.5° Tilt		25° Tilt		45° Tilt	
	R	W	R	W	R	W
80°	25.3	11,000	38.2	10,300	45.6	8,300
75°	40.5	11,000	51.5	9,300	57.6	7,700
70°	54.2	10,600	63.5	8,000	68.7	6,900
65°	65.8	8,600	74.9	7,000	79.2	6,200
60°	76.6	6,300	85.1	5,600	88.9	5,400
55°	86.6	4,500	94.7	4,100	97.9	4,000
50°	96.2	3,200	103.0	2,900	106.0	2,900
45°	105.0	2,200	112.0	2,100	114.0	2,100
40°	113.0	1,500	119.0	1,400		

Boom Angle in Degree	117.7' (35.87m) Boom (telescoping mode II) + 58.1' (17.7m) Jib					
	3.5° Tilt		25° Tilt		45° Tilt	
	R	W	R	W	R	W
80°	33.5	6,300	55.9	5,700	66.9	3,700
75°	50.7	6,300	71.1	5,100	80.6	3,700
70°	66.3	6,300	84.6	4,400	92.6	3,600
65°	80.4	5,300	97.3	3,900	103.0	3,300
60°	93.1	4,000	109.0	3,500	114.0	3,000
55°	105.0	2,700	119.0	2,500	123.0	2,300
50°	116.0	1,800	129.0	1,700	131.0	1,600

R: Load radius in feet
 W: Rated lifting capacity in pounds



F GT-900XL RATED LIFTING CAPACITIES (IN POUNDS)

ON OUTRIGGERS MID EXTENDED 15' 9" (4.8m) SPREAD, 39,500lbs COUNTERWEIGHT, 360° ROTATION																
A B	37.7 (11.5m)		51 (15.56m)		64.4 (19.62m)		91 (27.75m)		117.7 (35.87m)		131 (39.93m)		144.4 (44.0m)			
	C	C	C	C	C	C	C	C	C	C	C	C	C	C		
10'	68	154,900	74	103,600	78	88,100	78	44,000								
12'	65	132,700	72	103,600	76	88,100	76	44,000								
15'	60	108,200	68	103,600	73	88,100	73	44,000	79	44,000	79	30,800				
20'	50	80,900	62	80,100	69	71,900	69	44,000	76	44,000	76	30,800	80	17,600		
25'	38	54,600	55	53,400	64	52,400	64	44,000	73	44,000	73	30,800	77	17,600		
30'	21	39,500	48	38,400	58	37,600	58	43,400	69	41,000	69	29,500	75	30,800		
35'			39	28,800	53	28,100	53	33,600	66	31,400	66	25,600	72	30,800		
40'			28	22,300	47	21,600	47	26,900	62	24,800	62	22,600	70	26,200		
45'					40	16,800	40	22,000	59	19,900	59	20,100	67	21,300		
50'					32	13,300	32	18,300	55	16,200	55	18,100	64	17,600		
60'									46	10,900	46	14,300	59	12,300		
70'									36	7,300	36	10,700	52	8,700		
80'									22	4,800	22	8,100	46	6,100		
90'												38	4,200	38	6,600	
100'												28	2,700	28	5,100	
110'												13	1,500	13	3,900	
120'															19	2,000
D	0°											30°				
Telescoping conditions (%)																
Telescoping mode	I, II	I	I	I	II	I	II	I	II	I	II	II	I, II	I, II		
2nd boom	0	50	100	0	100	0	100	0	100	0	50	100	0	100		
3rd boom	0	0	0	33	33	66	66	100	100	100	100	100	100	100		
4th boom	0	0	0	33	33	66	66	100	100	100	100	100	100	100		
Top boom	0	0	0	33	33	66	66	100	100	100	100	100	100	100		

A: Boom length in feet
 B: Load radius in feet
 C: Loaded boom angle (°)
 D: Minimum boom angle (°) for indicated length (no load)

LIFTING CAPACITIES AT ZERO DEGREE BOOM ANGLE ON OUTRIGGERS MID EXTENDED 15' 9" (4.8m) SPREAD, 39,500lbs COUNTERWEIGHT, 360° ROTATION																
A E	37.7 (11.5m)		51 (15.56m)		64.4 (19.62m)		91 (27.75m)		91 (27.75m)		117.7 (35.87m)		117.7 (35.87m)		131 (39.93m)	
	B	B	B	B	B	B	B	B	B	B	B	B	B	B	B	B
0	31.7	30,200	45.0	17,400	58.3	8,800	58.3	13,400	85.0	3,700	85.0	6,800	111	1,300	111	3,700
Telescoping mode	I, II	I	I	I	II	I	II	I	II	I	II	I	II	II	II	II

A: Boom length in feet
 B: Load radius in feet
 E: Boom angle (°)

NOTE: • The lifting capacity data stored in the LOAD MOMENT INDICATOR (AML-L) is based on the standard number of parts of line listed in the following table:
 • Standard number of parts of line for each boom length shall be according to the following table:

Boom Length in Feet (meters)	37.7' (11.5)	37.7' to 51' (11.5 to 15.56)	51' to 64.4' (15.56 to 19.62)	64.4' to 91' (19.62 to 27.75)	91' to 144.4' (27.75 to 44.0)	Single top Jib
Number of parts of line	16	12	10	5	4	1



JF GT-900XL RATED LIFTING CAPACITIES (IN POUNDS)

ON OUTRIGGERS MID EXTENDED 15' 9" (4.8m) SPREAD, 39,500lbs COUNTERWEIGHT, 360° ROTATION												
Boom Angle in Degree	144.4' (44.0m) Boom + 32.5' (9.9m) Jib						144.4' (44.0m) Boom + 58.1' (17.7m) Jib					
	3.5° Tilt		25° Tilt		45° Tilt		3.5° Tilt		25° Tilt		45° Tilt	
	R	W	R	W	R	W	R	W	R	W	R	W
80°	32.1	9,900	44.2	8,800	51.9	8,100	39.9	5,900	64.3	5,400	73.8	3,400
75°	50.0	9,900	60.6	8,700	66.4	7,300	59.6	5,900	82.2	4,800	89.9	3,400
70°	66.1	9,700	75.0	7,600	79.9	6,600	78.3	5,900	98.4	4,200	105.0	3,400
65°	79.7	7,200	88.8	6,500	92.4	6,000	94.4	4,900	113.0	3,700	118.0	3,100
60°	91.8	4,800	100.0	4,400	104.0	4,400	108.0	3,000	126.0	2,800	130.0	2,700
55°	104.0	3,100	111.0	2,900	114.0	3,000	121.0	1,700	138.0	1,700	141.0	1,600
50°	115.0	1,900	121.0	1,800	124.0	1,900						
45°	125.0	1,000			133.0	1,000						

ON OUTRIGGERS MID EXTENDED 15' 9" (4.8m) SPREAD, 39,500lbs COUNTERWEIGHT, 360° ROTATION												
Boom Angle in Degree	117.7' (35.87m) Boom (telescoping mode I) + 32.5' (9.9m) Jib						117.7' (35.87m) Boom (telescoping mode I) + 58.1' (17.7m) Jib					
	3.5° Tilt		25° Tilt		45° Tilt		3.5° Tilt		25° Tilt		45° Tilt	
	R	W	R	W	R	W	R	W	R	W	R	W
80°	25.6	12,300	36.7	10,300	44.2	8,300	32.9	7,900	54.8	5,700	66.7	3,700
75°	39.7	12,300	50.6	10,000	56.5	8,000	49.5	7,900	69.8	5,200	80.1	3,700
70°	53.3	12,300	62.8	8,800	67.6	7,400	64.9	7,100	83.8	4,700	92.1	3,600
65°	65.3	10,500	74.1	7,900	77.9	6,800	79.0	6,000	96.6	4,200	103.0	3,500
60°	76.4	7,900	84.7	7,100	88.0	6,400	92.6	5,100	109.0	3,800	113.0	3,300
55°	86.7	5,700	94.3	5,300	97.3	5,200	105.0	3,800	120.0	3,500	123.0	3,100
50°	96.3	4,100	103.0	3,900	106.0	3,900	116.0	2,600	129.0	2,400	131.0	2,300
45°	105.0	3,000	111.0	2,800	113.0	2,800	126.0	1,700	137.0	1,600	139.0	1,500
40°	113.0	2,000	119.0	1,900								
35°	121.0	1,300	125.0	1,300								

ON OUTRIGGERS MID EXTENDED 15' 9" (4.8m) SPREAD, 39,500lbs COUNTERWEIGHT, 360° ROTATION												
Boom Angle in Degree	117.7' (35.87m) Boom (telescoping mode II) + 32.5' (9.9m) Jib						117.7' (35.87m) Boom (telescoping mode II) + 58.1' (17.7m) Jib					
	3.5° Tilt		25° Tilt		45° Tilt		3.5° Tilt		25° Tilt		45° Tilt	
	R	W	R	W	R	W	R	W	R	W	R	W
80°	25.3	11,000	38.2	10,300	45.6	8,300	33.5	6,300	55.9	5,700	66.9	3,700
75°	40.5	11,000	51.5	9,300	57.6	7,700	50.7	6,300	71.1	5,100	80.6	3,700
70°	54.2	10,600	63.5	8,000	68.7	6,900	66.3	6,300	84.6	4,400	92.6	3,600
65°	65.8	8,600	74.9	7,000	79.2	6,200	80.4	5,300	97.3	3,900	103.0	3,300
60°	77.0	7,100	85.5	6,200	89.2	5,700	93.6	4,500	109.0	3,500	114.0	3,000
55°	87.5	5,900	95.4	5,300	98.5	5,200	106.0	3,900	120.0	3,100	123.0	2,800
50°	97.4	5,000	104.0	4,600	107.0	4,500	117.0	3,300	130.0	2,800	132.0	2,700
45°	106.0	4,300	113.0	4,100	114.0	4,000	127.0	2,800	139.0	2,600	140.0	2,500
40°	115.0	3,800	120.0	3,600			137.0	2,400	146.0	2,300		
35°	122.0	3,200	126.0	3,000			145.0	1,900	153.0	1,800		
30°	128.0	2,600	132.0	2,500			152.0	1,500	158.0	1,500		
25°	134.0	2,200	137.0	2,200			158.0	1,200	163.0	1,200		
20°	138.0	1,900					163.0	1,000				
15°	142.0	1,700										

R: Load radius in feet
 W: Rated lifting capacity in pounds



G **GT-900XL RATED LIFTING CAPACITIES (IN POUNDS)**

ON OUTRIGGERS MID EXTENDED 15' 9" (4.8m) SPREAD, 35,000lbs COUNTERWEIGHT, 360° ROTATION																				
A B	37.7 (11.5m)		51 (15.56m)		64.4 (19.62m)		91 (27.75m)		117.7 (35.87m)		131 (39.93m)		144.4 (44.0m)							
	C	C	C	C	C	C	C	C	C	C	C	C	C							
10'	68	152,600	74	103,600	78	88,100	78	44,000												
12'	65	130,600	72	103,600	76	88,100	76	44,000												
15'	60	106,300	68	103,600	73	88,100	73	44,000	79	44,000	79	30,800								
20'	50	76,600	62	75,000	69	71,900	69	44,000	76	44,000	76	30,800	80	30,800	80	17,600				
25'	38	50,600	55	49,400	64	48,400	64	44,000	73	44,000	73	30,800	77	30,800	77	17,600	79	17,600		
30'	21	36,400	48	35,300	58	34,500	58	40,300	69	37,900	69	29,500	75	30,800	75	17,600	77	17,600	78	17,600
35'			39	26,300	53	25,600	53	31,100	66	28,800	66	25,600	72	30,300	72	17,600	75	17,600	76	17,600
40'			28	20,200	47	19,500	47	24,700	62	22,600	62	22,600	70	24,100	70	17,600	73	17,600	74	17,600
45'					40	15,000	40	20,100	59	18,100	59	20,100	67	19,500	67	17,600	70	17,600	72	17,600
50'					32	11,600	32	16,600	55	14,600	55	18,100	64	16,000	64	16,200	68	17,600	70	16,700
60'									46	9,600	46	13,000	59	11,000	59	13,200	63	12,600	66	11,800
70'									36	6,200	36	9,500	52	7,600	52	10,100	58	9,200	61	8,400
80'									22	3,900	22	7,100	46	5,200	46	7,700	52	6,700	56	5,900
90'													38	3,300	38	5,800	46	4,800	51	4,000
100'													28	1,900	28	4,300	39	3,400	46	2,600
110'															13	3,200	31	2,300	39	1,400
120'																	19	1,300		
D	0°										23°		0°		16°		38°			
Telescoping conditions (%)																				
Telescoping mode	I, II		I		I		II		I		II		I		II		II		I, II	
2nd boom	0		50		100		0		100		0		100		0		50		100	
3rd boom	0		0		0		33		33		66		66		100		100		100	
4th boom	0		0		0		33		33		66		66		100		100		100	
Top boom	0		0		0		33		33		66		66		100		100		100	

- A: Boom length in feet
- B: Load radius in feet
- C: Loaded boom angle (°)
- D: Minimum boom angle (°) for indicated length (no load)

LIFTING CAPACITIES AT ZERO DEGREE BOOM ANGLE ON OUTRIGGERS MID EXTENDED 15' 9" (4.8m) SPREAD, 35,000lbs COUNTERWEIGHT, 360° ROTATION																					
A E	37.7 (11.5m)		51 (15.56m)		64.4 (19.62m)		64.4 (19.62m)		91 (27.75m)		91 (27.75m)		117.7 (35.87m)								
	B	B	B	B	B	B	B	B	B	B	B	B	B								
0	31.7	30,200	45.0	15,400	58.3	3,500	58.3	9,300	85.0	2,000	85.0	6,000									
Telescoping mode	I, II		I		I		II		I		II		II								
														111	3,100						

- A: Boom length in feet
- B: Load radius in feet
- E: Boom angle (°)

NOTE: • The lifting capacity data stored in the LOAD MOMENT INDICATOR (AML-L) is based on the standard number of parts of line listed in the following table:
 • Standard number of parts of line for each boom length shall be according to the following table:

Boom Length in Feet (meters)	37.7' (11.5)	37.7' to 51' (11.5 to 15.56)	51' to 64.4' (15.56 to 19.62)	64.4' to 91' (19.62 to 27.75)	91' to 144.4' (27.75 to 44.0)	Single top Jib
Number of parts of line	16	12	10	5	4	1



JG GT-900XL RATED LIFTING CAPACITIES (IN POUNDS)

ON OUTRIGGERS MID EXTENDED 15' 9" (4.8m) SPREAD, 35,000lbs COUNTERWEIGHT, 360° ROTATION						
Boom Angle in Degree	144.4' (44.0m) Boom + 32.5' (9.9m) Jib					
	3.5° Tilt		25° Tilt		45° Tilt	
	R	W	R	W	R	W
80°	32.1	9,900	44.2	8,800	51.9	8,100
75°	50.0	9,900	60.6	8,700	66.4	7,300
70°	66.1	9,700	75.0	7,600	79.9	6,600
65°	78.9	6,300	87.8	5,600	91.9	5,500
60°	91.1	4,000	99.4	3,700	103.0	3,700
55°	103.0	2,500	111.0	2,300	114.0	2,300
50°	114.0	1,300	121.0	1,200	124.0	1,300

Boom Angle in Degree	144.4' (44.0m) Boom + 58.1' (17.7m) Jib					
	3.5° Tilt		25° Tilt		45° Tilt	
	R	W	R	W	R	W
80°	39.9	5,900	64.3	5,400	73.8	3,400
75°	59.6	5,900	82.2	4,800	89.9	3,400
70°	78.3	5,900	98.4	4,200	105.0	3,400
65°	93.2	4,100	113.0	3,700	118.0	3,100
60°	107.0	2,400	125.0	2,300	129.0	2,100
55°			137.0	1,200		

ON OUTRIGGERS MID EXTENDED 15' 9" (4.8m) SPREAD, 35,000lbs COUNTERWEIGHT, 360° ROTATION						
Boom Angle in Degree	117.7' (35.87m) Boom (telescoping mode I) + 32.5' (9.9m) Jib					
	3.5° Tilt		25° Tilt		45° Tilt	
	R	W	R	W	R	W
80°	25.6	12,300	36.7	10,300	44.2	8,300
75°	39.7	12,300	50.6	10,000	56.5	8,000
70°	53.3	12,300	62.8	8,800	67.6	7,400
65°	65.4	10,000	74.1	7,900	77.9	6,800
60°	76.2	7,000	84.6	6,300	88.1	6,100
55°	86.5	4,900	93.9	4,500	97.1	4,500
50°	96.1	3,400	103.0	3,200	105.0	3,200
45°	105.0	2,300	111.0	2,100	113.0	2,200
40°	113.0	1,400	119.0	1,300		

Boom Angle in Degree	117.7' (35.87m) Boom (telescoping mode I) + 58.1' (17.7m) Jib					
	3.5° Tilt		25° Tilt		45° Tilt	
	R	W	R	W	R	W
80°	32.9	7,900	54.8	5,700	66.7	3,700
75°	49.5	7,900	69.8	5,200	80.1	3,700
70°	64.9	7,100	83.8	4,700	92.1	3,600
65°	79.0	6,000	96.6	4,200	103.0	3,500
60°	92.4	4,700	109.0	3,800	113.0	3,300
55°	104.0	3,100	119.0	2,800	123.0	2,700
50°	116.0	2,000	128.0	1,900	131.0	1,800
45°	126.0	1,100	137.0	1,100	139.0	1,000

ON OUTRIGGERS MID EXTENDED 15' 9" (4.8m) SPREAD, 35,000lbs COUNTERWEIGHT, 360° ROTATION						
Boom Angle in Degree	117.7' (35.87m) Boom (telescoping mode II) + 32.5' (9.9m) Jib					
	3.5° Tilt		25° Tilt		45° Tilt	
	R	W	R	W	R	W
80°	25.3	11,000	38.2	10,300	45.6	8,300
75°	40.5	11,000	51.5	9,300	57.6	7,700
70°	54.2	10,600	63.5	8,000	68.7	6,900
65°	65.8	8,600	74.9	7,000	79.2	6,200
60°	77.0	7,100	85.5	6,200	89.2	5,700
55°	87.5	5,900	95.4	5,300	98.5	5,200
50°	97.4	5,000	104.0	4,600	107.0	4,500
45°	106.0	4,100	113.0	3,800	114.0	3,800
40°	114.0	3,200	120.0	3,000		
35°	122.0	2,600	126.0	2,500		
30°	128.0	2,100	132.0	2,000		
25°	133.0	1,700	137.0	1,600		
20°	138.0	1,400				
15°	142.0	1,200				

Boom Angle in Degree	117.7' (35.87m) Boom (telescoping mode II) + 58.1' (17.7m) Jib					
	3.5° Tilt		25° Tilt		45° Tilt	
	R	W	R	W	R	W
80°	33.5	6,300	55.9	5,700	66.9	3,700
75°	50.7	6,300	71.1	5,100	80.6	3,700
70°	66.3	6,300	84.6	4,400	92.6	3,600
65°	80.4	5,300	97.3	3,900	103.0	3,300
60°	93.6	4,500	109.0	3,500	114.0	3,000
55°	106.0	3,900	120.0	3,100	123.0	2,800
50°	117.0	3,300	130.0	2,800	132.0	2,700
45°	127.0	2,600	138.0	2,400	140.0	2,400
40°	136.0	1,900	146.0	1,800		
35°	145.0	1,400	152.0	1,400		
30°	152.0	1,000	158.0	1,000		

R: Load radius in feet
 W: Rated lifting capacity in pounds



H GT-900XL RATED LIFTING CAPACITIES (IN POUNDS)

ON OUTRIGGERS MID EXTENDED 15' 9" (4.8m) SPREAD, 16,500lbs COUNTERWEIGHT, 360° ROTATION																				
B \ A	37.7 (11.5m)		51 (15.56m)		64.4 (19.62m)		91 (27.75m)		117.7 (35.87m)		131 (39.93m)		144.4 (44.0m)							
	C	C	C	C	C	C	C	C	C	C	C	C	C	C						
10'	68	142,400	74	103,600	78	88,100	78	44,000												
12'	65	121,100	72	103,600	76	88,100	76	44,000												
15'	60	97,600	68	95,600	73	88,100	73	44,000	79	44,000	79	30,800								
20'	50	52,500	62	50,900	69	49,600	69	44,000	76	44,000	76	30,800	80	17,600						
25'	38	33,500	55	32,300	64	31,400	64	37,700	73	35,000	73	30,800	77	30,800						
30'	21	23,200	48	22,000	58	21,300	58	27,100	69	24,600	69	28,800	75	26,300						
35'			39	15,500	53	14,800	53	20,300	66	18,000	66	21,900	72	19,600						
40'			28	11,100	47	10,400	47	15,600	62	13,500	62	17,200	70	15,000						
45'					40	6,900	40	12,200	59	10,100	59	13,800	67	11,600						
50'					32	4,300	32	9,600	55	7,500	55	11,100	64	8,900						
60'									46	3,700	46	7,200	59	5,100						
70'									36	1,200	36	4,600	52	2,600						
80'											22	2,800								
90'													38	2,000						
D	0°		10°		0°		35°		0°		50°		36°		50°		59°			
Telescoping conditions (%)																				
Telescoping mode	I, II		I		I		II		I		II		I		II		II		I, II	
2nd boom	0		50		100		0		100		0		100		0		50		100	
3rd boom	0		0		0		33		33		66		66		100		100		100	
4th boom	0		0		0		33		33		66		66		100		100		100	
Top boom	0		0		0		33		33		66		66		100		100		100	

A: Boom length in feet
 B: Load radius in feet
 C: Loaded boom angle (°)
 D: Minimum boom angle (°) for indicated length (no load)

LIFTING CAPACITIES AT ZERO DEGREE BOOM ANGLE ON OUTRIGGERS MID EXTENDED 15' 9" (4.8m) SPREAD, 16,500lbs COUNTERWEIGHT, 360° ROTATION												
E \ A	37.7 (11.5m)		51 (15.56m)		64.4 (19.62m)		91 (27.75m)					
	B	B	B	B	B	B	B	B				
0	31.7	20,300	45.0	6,800	58.3	5,500	85.0	1,800				
Telescoping mode	I, II		I		II		II					

A: Boom length in feet
 B: Load radius in feet
 E: Boom angle (°)

NOTE: • The lifting capacity data stored in the LOAD MOMENT INDICATOR (AML-L) is based on the standard number of parts of line listed in the following table:
 • Standard number of parts of line for each boom length shall be according to the following table:

Boom Length in Feet (meters)	37.7' (11.5)	37.7' to 51' (11.5 to 15.56)	51' to 64.4' (15.56 to 19.62)	64.4' to 91' (19.62 to 27.75)	91' to 144.4' (27.75 to 44.0)	Single top Jib
Number of parts of line	16	12	10	5	4	1



JH GT-900XL RATED LIFTING CAPACITIES (IN POUNDS)

ON OUTRIGGERS MID EXTENDED 15' 9" (4.8m) SPREAD, 16,500lbs COUNTERWEIGHT, 360° ROTATION						
Boom Angle in Degree	144.4' (44.0m) Boom + 32.5' (9.9m) Jib					
	3.5° Tilt		25° Tilt		45° Tilt	
	R	W	R	W	R	W
80°	32.1	9,900	44.2	8,800	51.9	8,100
75°	49.4	9,100	59.7	7,500	66.4	7,100
70°	62.4	4,700	72.3	4,100	77.8	4,000

Boom Angle in Degree	144.4' (44.0m) Boom + 58.1' (17.7m) Jib					
	3.5° Tilt		25° Tilt		45° Tilt	
	R	W	R	W	R	W
80°	39.9	5,900	64.3	5,400	73.8	3,400
75°	59.3	5,600	81.9	4,700	89.9	3,400

ON OUTRIGGERS MID EXTENDED 15' 9" (4.8m) SPREAD, 16,500lbs COUNTERWEIGHT, 360° ROTATION						
Boom Angle in Degree	117.7' (35.87m) Boom (telescoping mode I) + 32.5' (9.9m) Jib					
	3.5° Tilt		25° Tilt		45° Tilt	
	R	W	R	W	R	W
80°	25.6	12,300	36.7	10,300	44.2	8,300
75°	39.7	12,300	50.6	10,000	56.5	8,000
70°	52.1	8,500	61.9	7,100	67.4	6,700
65°	63.5	4,900	72.6	4,200	76.9	4,100
60°	74.7	2,600	82.9	2,300	86.7	2,300

Boom Angle in Degree	117.7' (35.87m) Boom (telescoping mode I) + 58.1' (17.7m) Jib					
	3.5° Tilt		25° Tilt		45° Tilt	
	R	W	R	W	R	W
80°	32.9	7,900	54.8	5,700	66.7	3,700
75°	49.5	7,900	69.8	5,200	80.1	3,700
70°	63.8	5,300	83.5	4,400	92.1	3,600
65°	76.8	2,800	94.7	2,400	102.0	2,200

ON OUTRIGGERS MID EXTENDED 15' 9" (4.8m) SPREAD, 16,500lbs COUNTERWEIGHT, 360° ROTATION						
Boom Angle in Degree	117.7' (35.87m) Boom (telescoping mode II) + 32.5' (9.9m) Jib					
	3.5° Tilt		25° Tilt		45° Tilt	
	↖	↗	↖	↗	↖	↗
80°	25.3	11,000	38.2	10,300	45.6	8,300
75°	40.5	11,000	51.5	9,300	57.6	7,700
70°	54.0	10,300	63.5	8,000	68.7	6,900
65°	64.6	6,700	74.1	5,800	79.0	5,600
60°	75.3	4,400	84.4	4,000	88.3	3,800
55°	85.8	2,900	93.7	2,600	97.2	2,600
50°	95.5	1,700	103.0	1,600	106.0	1,600

Boom Angle in Degree	117.7' (35.87m) Boom (telescoping mode II) + 58.1' (17.7m) Jib					
	3.5° Tilt		25° Tilt		45° Tilt	
	↖	↗	↖	↗	↖	↗
80°	33.5	6,300	55.9	5,700	66.9	3,700
75°	50.7	6,300	71.1	5,100	80.6	3,700
70°	66.3	6,300	84.6	4,400	92.6	3,600
65°	79.6	4,200	97.1	3,600	103.0	3,200
60°	92.0	2,600	108.0	2,300	113.0	2,100
55°	104.0	1,400	118.0	1,300	122.0	1,200

R: Load radius in feet
 W: Rated lifting capacity in pounds



I GT-900XL RATED LIFTING CAPACITIES (IN POUNDS)

ON OUTRIGGERS MID EXTENDED 15' 9" (4.8m) SPREAD, 11,500lbs COUNTERWEIGHT, 360° ROTATION														
A B	37.7 (11.5m)		51 (15.56m)		64.4 (19.62m)		91 (27.75m)		117.7 (35.87m)		131 (39.93m)		144.4 (44.0m)	
	C	C	C	C	C	C	C	C	C	C	C	C	C	
10'	68	139,500	74	103,600	78	88,100	78	44,000						
12'	65	118,300	72	103,600	76	88,100	76	44,000						
15'	60	87,000	68	84,400	73	82,700	73	44,000	79	44,000	79	30,800		
20'	50	45,900	62	44,300	69	43,100	69	44,000	76	44,000	76	30,800	80	
25'	38	28,900	55	27,700	64	26,700	64	33,100	73	30,300	73	30,800	77	
30'	21	19,500	48	18,400	58	17,700	58	23,500	69	21,000	69	25,100	75	
35'			39	12,400	53	11,600	53	17,300	66	15,100	66	19,000	72	
40'			28	8,100	47	7,300	47	13,000	62	10,700	62	14,700	70	
45'					40	4,300	40	9,700	59	7,500	59	11,300	67	
50'					32	2,100	32	7,300	55	5,200	55	8,900	64	
60'									46	1,900	46	5,400	59	
70'											36	3,100		
80'											22	1,500		
D	0°		27°		0°		44°		20°		56°		44°	
Telescoping conditions (%)														
Telescoping mode	I, II		I		I		II		I		II		I, II	
2nd boom	0		50		100		0		100		0		100	
3rd boom	0		0		0		33		33		66		66	
4th boom	0		0		0		33		33		66		66	
Top boom	0		0		0		33		33		66		66	

A: Boom length in feet
 B: Load radius in feet
 C: Loaded boom angle (°)
 D: Minimum boom angle (°) for indicated length (no load)

LIFTING CAPACITIES AT ZERO DEGREE BOOM ANGLE ON OUTRIGGERS MID EXTENDED 15' 9" (4.8m) SPREAD, 11,500lbs COUNTERWEIGHT, 360° ROTATION										
A E	37.7 (11.5m)		51 (15.56m)		64.4 (19.62m)					
	B	B	B	B	B	B				
0	31.7	15,900	45.0	3,100	58.3	2,400				
Telescoping mode	I, II		I		II					

A: Boom length in feet
 B: Load radius in feet
 E: Boom angle (°)

NOTE: • The lifting capacity data stored in the LOAD MOMENT INDICATOR (AML-L) is based on the standard number of parts of line listed in the following table:
 • Standard number of parts of line for each boom length shall be according to the following table:

Boom Length in Feet (meters)	37.7' (11.5)	37.7' to 51' (11.5 to 15.56)	51' to 64.4' (15.56 to 19.62)	64.4' to 91' (19.62 to 27.75)	91' to 144.4' (27.75 to 44.0)	Sin_le to, Jib
Number of parts of line	16	12	10	5	4	1



J **GT-900XL RATED LIFTING CAPACITIES (IN POUNDS)**

ON OUTRIGGERS MID EXTENDED 15' 9" (4.8m) SPREAD, 0lbs COUNTERWEIGHT, 360° ROTATION															
A B	Boom Length In Feet														
	37.7 (11.5m)		51 (15.56m)		64.4 (19.62m)		91 (27.75m)		117.7 (35.87m)		131 (39.93m)		144.4 (44.0m)		
C	(11.5m)	C	(15.56m)	C		C		C		C		C	(39.93m)	C	(44.0m)
10'	68	132,900	74	103,600	78	88,100	78	44,000							
12'	65	112,100	72	103,600	76	88,100	76	44,000							
15'	60	62,800	68	60,200	73	58,600	73	44,000	79	44,000	79	30,800			
20'	50	31,600	62	30,100	69	28,900	69	36,200	76	33,100	76	30,800	80	30,800	80
25'	38	17,900	55	16,500	64	15,200	64	22,700	73	19,500	73	24,700	77	21,700	77
30'	21	10,100	48	8,900	58	8,000	58	14,500	69	11,700	69	16,300	75	13,600	75
35'			39	4,400	53	3,600	53	9,700	66	7,100	66	11,300	72	8,800	72
40'			28	1,400			47	6,400	62	4,000	62	8,000	70	5,600	70
45'							40	4,100			59	5,600	67	6,300	70
50'							32	2,400			55	3,900	64	4,500	68
D	0°		27°		47°		29°		60°		52°		67°		62°
Telescoping conditions (%)															
Telescoping mode	I, II	I	I	II	I	II	I	II	I	II	I	II	I, II	I, II	I, II
2nd boom	0	50	100	0	100	0	100	0	100	0	100	0	50	100	100
3rd boom	0	0	0	33	33	66	66	100	100	100	100	100	100	100	100
4th boom	0	0	0	33	33	66	66	100	100	100	100	100	100	100	100
Top boom	0	0	0	33	33	66	66	100	100	100	100	100	100	100	100

- A: Boom length in feet
- B: Load radius in feet
- C: Loaded boom angle (°)
- D: Minimum boom angle (°) for indicated length (no load)

LIFTING CAPACITIES AT ZERO DEGREE BOOM ANGLE ON OUTRIGGERS MID EXTENDED 15' 9" (4.8m) SPREAD, 0lbs COUNTERWEIGHT, 360° ROTATION															
A E	Boom Length In Feet														
	37.7 (11.5m)		51 (15.56m)		64.4 (19.62m)		91 (27.75m)		117.7 (35.87m)		131 (39.93m)		144.4 (44.0m)		
B	(11.5m)	C	(15.56m)	C		C		C		C		C	(39.93m)	C	(44.0m)
0	31.7	7,900													
Telescoping mode	I, II														

- A: Boom length in feet
- B: Load radius in feet
- E: Boom angle (°)

NOTE: • The lifting capacity data stored in the LOAD MOMENT INDICATOR (AML-L) is based on the standard number of parts of line listed in the following table:
 • Standard number of parts of line for each boom length shall be according to the following table:

Boom Length in Feet (meters)	37.7' (11.5)	37.7' to 51' (11.5 to 15.56)	51' to 64.4' (15.56 to 19.62)	64.4' to 91' (19.62 to 27.75)	91' to 144.4' (27.75 to 44.0)	Single top Jib
Number of parts of line	16	12	10	5	4	1



GT-900XL RATED LIFTING CAPACITIES (IN POUNDS)

ON OUTRIGGERS MIN EXTENDED 6' 9-7/8" (2.08m) SPREAD, 360° ROTATION						
Load Radius in Feet	37.7' (11.5m) Boom					
	Counterweight in pounds					
	16,500		11,500		0	
	C	K	C	L	C	M
10'	68	57,600	68	48,300	68	28,300
12'	65	41,300	65	34,100	65	18,800
15'	60	27,400	60	22,100	60	10,700
20'	50	15,300	50	11,600	50	3,600
25'	38	8,800	38	6,000		
30'	21	4,900	21	2,500		
D	0°		0°		36°	
Telescoping conditions (%)						
Telescoping mode	I, II		I, II		I, II	
2nd boom	0		0		0	
3rd boom	0		0		0	
4th boom	0		0		0	
Top boom	0		0		0	

C: Loaded boom angle (°)
 D: Minimum boom angle (°) for indicated length (no load)

LIFTING CAPACITIES AT ZERO DEGREE BOOM ANGLE ON OUTRIGGERS MIN EXTENDED 6' 9-7/8" (2.08m) SPREAD						
Boom Angle	37.7' (11.5m) Boom					
	Counterweight in pounds					
	16,500		11,500		0	
	B		B	B		
0°	31.7	4,400	31.7	2,200	31.7	1,100
Telescoping mode	I, II		I, II		I, II	

B: Load radius in feet

NOTE: · The lifting capacity data stored in the LOAD MOMENT INDICATOR (AML-L) is based on the standard number of parts of line listed in the following table:
 · Standard number of parts of line for each boom length shall be according to the following table.

Boom Length in Feet (meters)	37.7' (11.5)
Number of parts of line	16

WARNING AND OPERATING INSTRUCTIONS FOR LIFTING CAPACITIES

GENERAL

1. RATED LIFTING CAPACITIES apply only to the machine as originally manufactured and normally equipped by TADANO LTD.
Modifications to the machine or use of optional equipment other than that specified can result in a reduction of capacity.
2. Construction equipment can be hazardous if improperly operated or maintained. Operation and maintenance of this machine must be in compliance with information in the operation, safety and maintenance manual supplied with machine. If these manuals are missing, order replacements through the distributor.
3. The operator and other personnel associated with this machine shall fully acquaint themselves with the latest American National Standards Institute (ANSI) safety standards for cranes.

SET UP

1. Rated lifting capacities on the chart are the maximum allowable crane capacities and are based on the machine standing level on firm supporting surface under ideal job conditions. Depending on the nature of the supporting surface, it may be necessary to have structural supports under the outrigger floats to spread the loads to a larger bearing surface.
2. For outrigger operation, outriggers shall be properly extended with tires free of supporting surface before operating crane. The front jack must be properly extended.
3. When operating crane on outriggers fully retracted, do not raise the boom more than limited boom angle by AML, and do not retract the boom more than limited boom length by AML. Loss of backward stability will occur causing a backward tipping condition.

OPERATION

1. Rated lifting capacities have been tested to and meet minimum requirements of SAE J1063-Cantilevered Boom Crane Structures Method of Test.
2. Rated lifting capacities do not exceed 85% of the tipping load on outriggers fully extended as determined by SAE J765-Crane Stability Test Code.
Rated lifting capacities for partially extended outriggers are determined from the formula, Rated Lifting Capacities = (Tipping Load - 0.1 x Tip Reaction) / 1.25.
3. Rated lifting capacities above bold lines in the chart are based on crane strength and those below, on its stability. They are based on actual load radius increased by boom deflection.
4. The weight of handling device such as hook blocks, slings, etc., must be considered as part of the load and must be deducted from the lifting capacities.
5. Rated lifting capacities are based on freely suspended loads and make no allowance for such factors as the effect of wind, sudden stopping of loads, supporting surface conditions, operating speeds, side loads, etc. Side pull on boom or jib is extremely dangerous.
6. Rated lifting capacities do not account for wind on lifted load or boom. Rated lifting capacities and boom length shall be appropriately reduced, when wind velocity is above 20 mph (9 m/sec.).
7. Rated lifting capacities at load radius shall not be exceeded. Do not tip the crane to determine allowable loads.
8. Do not operate at boom lengths, radii, or boom angle, where no capacities are shown. Crane may overturn without any load on the hook.
9. When boom length is between values listed, refer to the rated lifting capacities of the next longer and next shorter booms for the same radius. The lesser of the two rated lifting capacities shall be used.

10. When making lifts at a load radius not shown, use the next longer radius to determine allowable capacity.
11. Load per line should not exceed 12,300 lbs. (5,600kg) for main winch and auxiliary winch.
12. Check the actual number of parts of line with LOAD MOMENT INDICATOR (AML-L) before operation. Maximum lifting capacity is restricted by the number of parts of line of LOAD MOMENT INDICATOR (AML-L). Limited capacity is as determined from the formula, Single line pull for main winch (12,300 lbs.) x number of parts of line.
13. The boom angle before loading should be greater to account for deflection. For rated lifting capacities, the loaded boom angle and the load radius is for reference only.
14. The 37.7' (11.5m) boom length capacities are based on boom fully retracted. If not fully retracted [less than 51' (15.56m) boom length], use the rated lifting capacities for the 51' (15.56m) boom length.
15. Extension or retraction of the boom with loads may be attempted within the limits of the RATED LIFTING CAPACITIES. The ability to telescope loads is limited by hydraulic pressure, boom angle, boom length, crane maintenance, etc.
16. For lifting capacity of single top, reduce the rated lifting capacities of relevant boom according to a weight reductions for auxiliary load handling equipment. Capacities of single top shall not exceed 12,300 lbs. (5,600kg) including main hook.
17. When base jib or top jib or both jib removing, jib state switch select removed.
18. When erecting and stowing jib, be sure to retain it by hand or by other means to prevent its free movement.
19. Use "ANTI-TWO BLOCK" disable switch when erecting and stowing jib and when stowing hook block. While the switch is pushed, the hoist does not stop, even when overwind condition occurs.
20. For boom length less than 144.4' (44.0m) and longer than 117.7' (35.87m) with jib, rated lifting capacities are determined by loaded boom angle only in the column headed "144.4' (44.0m) boom + jib".
For boom length less than 117.7' (35.87m) with jib, rated lifting capacities are determined by loaded boom angle only in the column headed "117.7' (35.87m) boom + jib". For angles not shown, use the next lower loaded boom angle to determine allowable capacity.
21. When lifting a load by using jib (aux. winch) and boom (main winch) simultaneously, do the following:
 - Enter the operation status as jib operation, not as boom operation.
 - Before starting operation, make sure that mass of load is within rated lifting capacity for jib.
22. Before telescoping the boom, set the telescoping mode selector switch to MODE I or MODE II with the boom fully retracted. A change of the telescoping mode is not permissible when the boom has been partially or fully extended.

DEFINITIONS

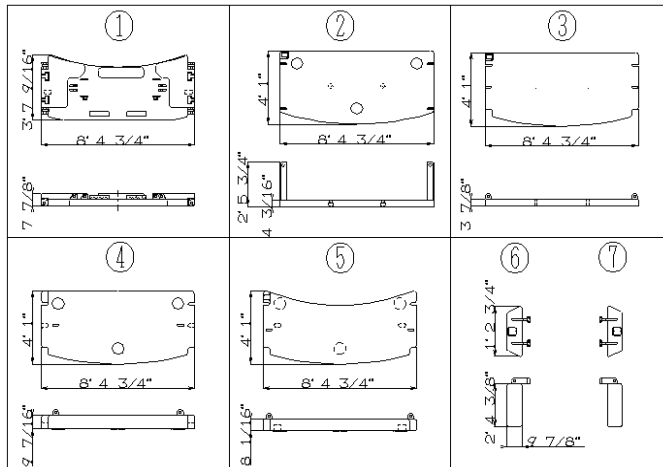
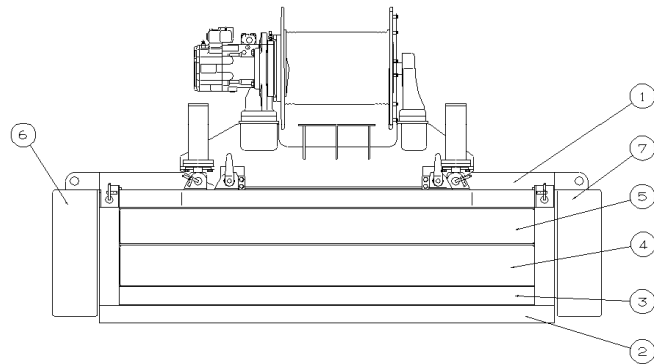
1. Load Radius: Horizontal distance from a projection of the axis of rotation to supporting surface before loading to the center of the vertical hoist line or tackle with load applied.
2. Loaded Boom Angle: The angle between the boom base section and the horizontal, after lifting the rated lifting capacity at the load radius.
3. Working Area: Area measured in a circular arc about the centerline of rotation.
4. Freely Suspended Load: Load hanging free with no direct external force applied except by the hoist line.
5. Side Load: Horizontal side force applied to the lifted load either on the ground or in the air.



WARNING AND OPERATING INSTRUCTIONS FOR USING THE LOAD MOMENT INDICATOR (AML-L)

- When operating crane on outriggers:
 - Set Starter switch to "ON" .
 - Press the outrigger mode select key to register for the outrigger operation. Press the set key, then the outrigger mode indicative symbol changes from flickering to lighting.
 - Press the boom mode select key to register the boom mode, then the boom mode indicative symbol changes from lighting to flickering. Each time the boom mode select key is pressed, the mode changes. Press the set key to select the status that corresponds to the actual state of the boom, then the boom mode indicative symbol changes from flickering to lighting.
 - When erecting and stowing jib, select the status of jib set (jib state indicative symbol flicker).
- A swing does not automatically stop even if the crane becomes overloaded.
- During crane operation, make sure that the displays on front panel are in accordance with actual operating conditions.
- The displayed values of LOAD MOMENT INDICATOR (AML-L) are based on freely suspended loads and make no allowance for such factors as the effect of wind, sudden stopping of loads, supporting surface conditions, operating speed, side loads, etc.
 For safe operation, it is recommended when extending and lowering boom or swinging, lifting loads shall be appropriately reduced.
- LOAD MOMENT INDICATOR (AML-L) is intended as an aid to the operator. Under no condition should it be relied upon to replace use of capacity charts and operating instruction. Sole reliance upon LOAD MOMENT INDICATOR (AML-L) aids in place of good operating practice can cause an accident. The operator must exercise caution to assure safety.

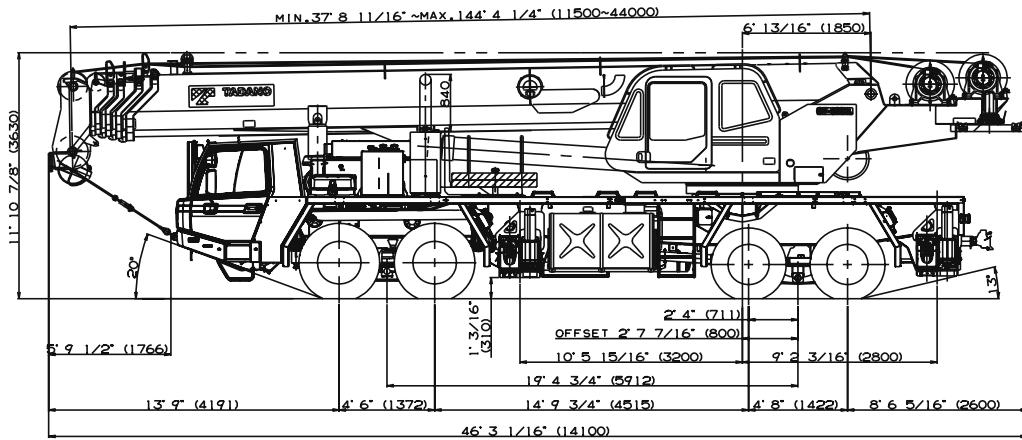
Mounting the 39,500 lb (17.9t) counterweight



Counterweight Modules	1	2	3	4	5	6	7
0 lb	6,000 lb	5,500 lb	5,000 lb	10,500 lb	8,000 lb	2,250 lb	2,250 lb
11,500 lb	X	X					
16,500 lb	X	X	X				
35,000 lb	X	X	X	X	X		
39,500 lb	X	X	X	X	X	X	X

GT-900XL Axle weight distribution chart

1) Boom Over Front configuration

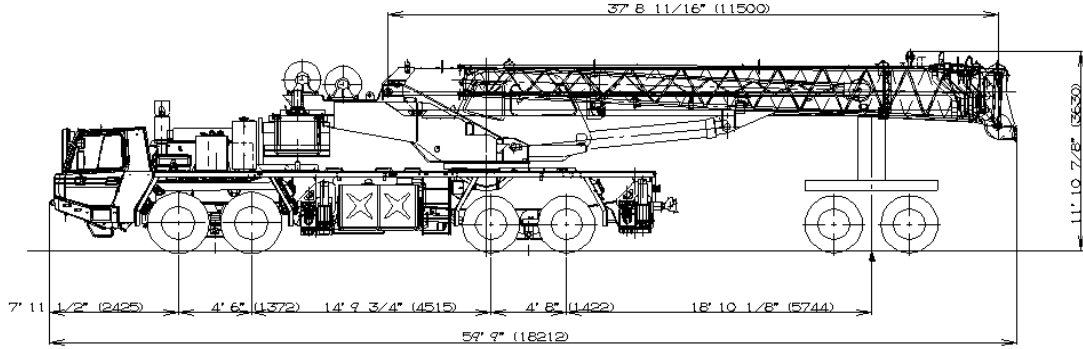


	Pounds			Kilograms		
	GVW	Front	Rear	GVW	Front	Rear
Base machine with 105.7gal.(400L)fuel and no counterweight.	88,415	43,321	45,094	40,104	19,650	20,454
Remove						
1. Auxiliary hoist with 436' (133m) of 3/4" (19mm)	-1,690	530	-2,220	-766	241	-1,007
2. Top jib (25.6')	-670	-460	-210	-306	-210	-96
3. Base jib (32.5')	-1,920	-2,190	270	-872	-993	121
4. Auxiliary lifting sheave	-110	-190	80	-50	-88	38
Add						
1. Counter weight 6,000lb on upper	5,840	-2,720	8,560	2,648	-1,234	3,882
2. Counter weight 6,000lb on upper + 5,500lb to carrier deck	11,200	1,230	9,970	5,080	557	4,523
3. Counter weight 6,000lb on upper + 5,500lb + 5,000lb to carrier deck	16,350	5,020	11,330	7,413	2,275	5,138
4. 6.2 ton (5.6 metric ton) hook ball	291	340	-49	132	154	-22

Permissible Axle Load

	Pounds			Kilograms		
	GVW	Front	Rear	GVW	Front	Rear
Permissible axle load	105,800	48,500	57,300	48,000	22,000	26,000

2) Traveling with boom dolly(Boom over rear configuration)



Base machine with 105.7gal.(400L)fuel and no counterweight.	Pounds				Kilograms			
	GVW	Front	Rear	Dolly	GVW	Front	Rear	Dolly
	88,415	31,894	39,428	17,093	40,104	14,467	17,884	7,753
Remove								
1. Auxiliary hoist with 436' (133m) of 3/4" (19mm)	-1,690	-990	-700	0	-767	-449	-318	0
2. Top jib (25.6')	-670	-130	-160	-380	-303	-59	-72	-172
3. Base jib (32.5')	-1,920	-120	-150	-1,650	-870	-54	-68	-748
4. Auxiliary lifting sheave	-110	30	40	-180	-50	14	18	-82
Add								
1. Counter weight 6,000lb on upper	5,840	4,300	1,540	0	2,648	1,950	698	0
2. Counter weight 5,500lb on carrier deck	5,360	3,950	1,410	0	2,431	1,792	639	0
3. Counter weight 5,000lb on carrier deck	5,150	3,790	1,360	0	2,336	1,719	617	0
4. Counter weight 10,500lb on boom dolly	10,710	0	0	10,710	4,858	0	0	4,858
5. Counter weight 8,000lb on boom dolly	8,040	0	0	8,040	3,647	0	0	3,647
6. Counter weight 2,250lb on boom dolly	2,205	0	0	2,205	1,000	0	0	1,000
7. Counter weight 2,250lb on boom dolly	2,205	0	0	2,205	1,000	0	0	1,000
8. Nelson 2-axle boom dolly	6,000	0	0	6,000	2,722	0	0	2,722
9. Nelson 3-axle boom dolly	9,000	0	0	9,000	4,082	0	0	4,082
10. 6.2 ton (5.6 metric ton) hook ball at boom head	291	-35	-42	368	132	-16	-19	167

Counterweight load transfer		Pounds			Kilograms		
		Front	Rear	Dolly	Front	Rear	Dolly
Transfer	1. Counter weight 6,000lb on upper to boom dolly	-4,300	-1,540	5,840	-1,950	-698	2,649
	2. Counter weight 5,500lb on carrier deck to boom dolly	-3,950	-1,410	5,360	-1,792	-639	2,431
	3. Counter weight 5,000lb on carrier deck to boom dolly	-3,790	-1,360	5,150	-1,719	-617	2,336

