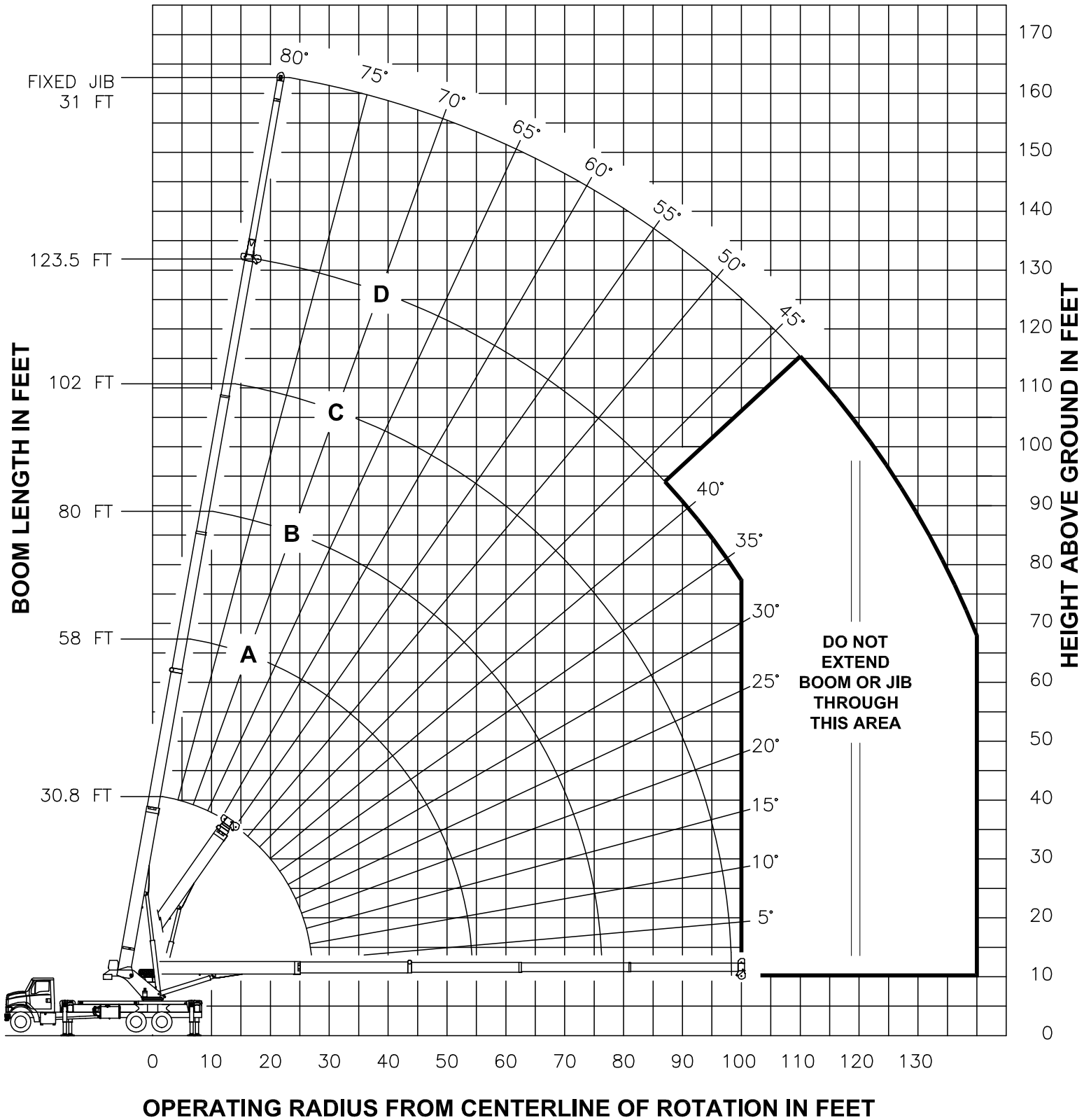
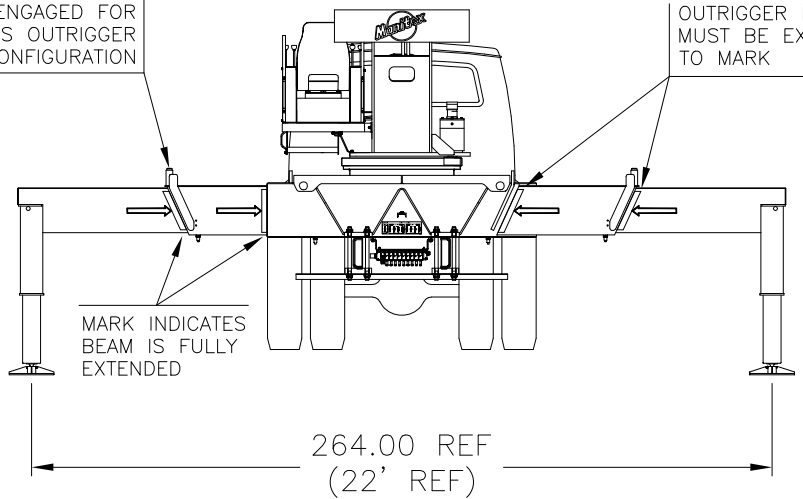


# RANGE DIAGRAM -FULLY EXTENDED OUTRIGGER CONFIGURATION-



PINS MUST BE DISENGAGED FOR THIS OUTRIGGER CONFIGURATION

OUTRIGGER BEAMS MUST BE EXTENDED TO MARK



**USE THIS CHART ONLY WHEN ALL OUTRIGGERS ARE FULLY EXTENDED**

**- FULLY EXTENDED OUTRIGGER CONFIGURATION -**

LOAD RATINGS IN LBS WITH ALL OUTRIGGERS FULLY EXTENDED										JIB LOAD RATINGS IN LBS WITH ALL OUTRIGGERS FULLY EXTENDED			
LMI CODE #1										LMI CODE #2			
OPERATING HEIGHT	LOADED BOOM ANGLE		BOOM LENGTH AND MARKER							OPERATING HEIGHT	BOOM ANGLE	31 FT JIB FOR ALL BOOM LENGTHS SEE WARNING NOTE 4	
	°	30.8 FT	°	58 FT	°	80 FT	°	102 FT	°				123.5 FT
5	75	80000											
8	69	60500											
10	64	52550									10		
12	60	46600	75	25000							12		
15	53	39600	73	25000	79	21500					15		
20	40	30300	67	25000	75	19700	80	14500			20		
25	22	23070	62	22840	71	18200	77	13500	80	8450	25		
30			56	18670	67	16250	74	12820	78	8150	30	80	4000
35			49	14450	63	14540	71	11380	75	7800	35	78	3850
40			42	11190	59	11490	68	10160	72	7280	40	76	3700
45			34	8820	54	9110	65	9250	70	6780	45	74	3550
50			23	7030	50	7340	61	7480	67	6160	50	72	3400
55					44	5970	58	6110	65	5540	55	70	3250
60					39	4880	54	5020	62	5000	60	68	3080
65					32	3980	50	4130	59	4200	65	66	2910
70					24	3230	46	3390	56	3460	70	64	2750
75					12	2580	42	2760	53	2830	75	62	2600
80							37	2220	50	2300	80	60	2460
85							32	1750	47	1840	85	58	2260
90							25	1340	43	1430	90	55	1850
95							17	970	40	1070	95	53	1490
100									35	750	100	51	1170
105											105	48	880
110											110	45	620
		450 LBS	240 LBS		180 LBS		140 LBS		120 LBS		DEDUCTIONS FOR STOWED JIB		