



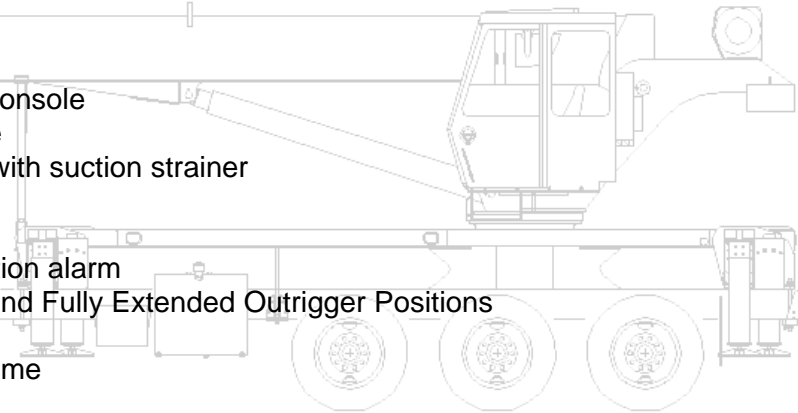
www.crane-works.com

**CraneWorks, Inc.**  
7795 East Little York Road  
Houston, Texas 77016  
Phone: (281) 219-7779  
Fax: (713) 491-9359

## 38-005 Manitex 40100S SN#136956

### Standard Equipment:

40 Ton Capacity  
100' 4 section telescopic boom  
2 speed planetary hoist  
3 sheave quick reeve boom point  
Wireless Anti-two block shut off  
Boom hoist cylinder  
System pressure gauge  
Continuous rotation  
Engine start/stop on operator console  
380' 5/8" EIPS IWRC wire rope  
100 gallon hydraulic reservoir with suction strainer  
Rotating control station  
DS 85 LMI Protection System  
Audible outrigger/stabilizer motion alarm  
Out and Down Retracted Mid and Fully Extended Outrigger Positions  
3 section hydraulic pump  
Integral torsion resistant subframe  
Suction line ball valve shut off  
Function overload shut off  
7-ton hook and ball  
360-degree chart  
10' Wood Bed  
Oil Cooler  
Pilot Operated Controls  
55' Telescopic Jib  
30 Ton 3 Sheave Load Block  
Enclosed Crane Operators Cab  
48"x18"x18" Underbody Mounted Tool Box  
**165' Tip Height**



### Chassis:

2007 Sterling LT9513 VIN# 2FZHAZCV37AX58671  
450 HP Mercedes MBE 4000 Engine  
Engine Brake



# CRANE WORKS

www.crane-works.com

- 20,000 front axle with flotation tires
- 46,000 rear axles on Tuff Trac Suspension
- Differential Lockout
- Axle Lockout
- Dual 50 gallon aluminum fuel tanks
- Electronic engine protection system
- Air conditioning/ Heater and defroster
- AM/FM radio
- ABS Air brakes
- 10-speed transmission
- Air ride driver seat
- Aluminum Front Wheels
- Trailer Package
- Heated Mirrors

**Approx. Miles: 22,200**

**Approx. Hours: 1,416**

**Sale Price F.O.B. Houston, TX..... \$229,000.00**  
**(Sales Tax Not Included)**

