

BT MODEL

LOAD RATINGS



CAUTION Do not use this specification sheet as a load rating chart. The format of data is not consistent with the machine chart and may be subject to change.

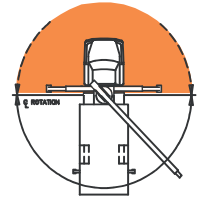
BOOM LENGTH Maximum Load Chart in pounds (lbs) with fully extended outrigger

OPERATING RADIUS (FT)	27 FT		34 FT		43 FT		52 FT		61 FT		70 FT	
	LOADED BOOM ANGLE (DEG)	LOAD RATING (LB)	LOADED BOOM ANGLE (DEG)	LOAD RATING (LB)	LOADED BOOM ANGLE (DEG)	LOAD RATING (LB)	LOADED BOOM ANGLE (DEG)	LOAD RATING (LB)	LOADED BOOM ANGLE (DEG)	LOAD RATING (LB)	LOADED BOOM ANGLE (DEG)	LOAD RATING (LB)
5	77	34,000*										
10	66	21,100*	71	17,100*	75	16,000*	78	15,700*				
15	54	15,100*	62	14,000*	68	12,100*	72	11,100*	75	10,800*	77	9,600*
20	39	11,100*	51	10,100*	61	9,100*	66	8,600*	71	8,200*	73	7,300*
25	17	7,900*	40	7,700*	53	7,100*	61	6,900*	66	6,600*	69	5,900*
30			23	6,500*	44	6,100*	54	5,600*	60	5,300*	64	4,900*
35					33	4,800*	47	4,700*	54	4,600*	60	4,150*
40					16	3,500*	38	4,100*	48	3,900*	55	3,550*
45							27	3,250*	41	3,200*	49	3,050*
50							9	2,950*	33	2,800*	44	2,650*
55									23	2,500*	37	2,350*
60											29	1,900*
65											19	1,700*

NOTE: STRUCTURAL STRENGTH RATINGS IN CHART ARE INDICATED WITH AN ASTERISK *

AREA OF OPERATION

DO NOT OPERATE IN SHADED AREA WITHOUT OPTIONAL FRONT STABILIZER



Deductions from rate loads for load handling devices BT

Overhaul Ball	125 lbs
1 Sheave Load Block	200 lbs
2 Sheave Load Block	230 lbs
Aux Sheave	50 lbs

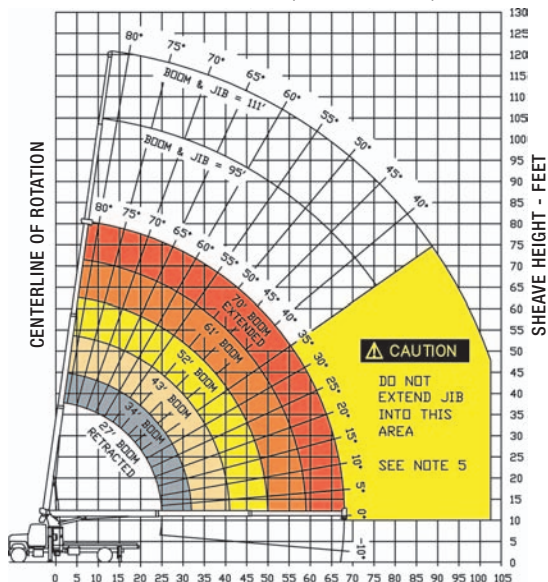
STOWED JIB DEDUCTIONS (POUNDS)

450	360	260	230	200	175
-----	-----	-----	-----	-----	-----

JIB CAPACITIES FOR ALL BOOM LENGTHS VERIFY OPERATIONAL MODE SETTING ON LMI DISPLAY BEFORE LIFTING WITH JIB

Loaded Boom Angle	35°	40°	45°	50°	55°	60°	65°	70°	75°	80°
Retracted 24 ft Jib	700	825	1,000	1,150	1,340	1,600	1,900	2,300	3,100	4,160
Extended 40 ft Jib	520	580	650	730	810	930	1,080	1,400	1,810	2,260

RANGE DIAGRAM (27 - 70 FT BOOM)



GENERAL NOTES

- The operator must read and understand the Owner's Manual before operating this crane.
- Positioning or operation of crane beyond areas shown on this chart is not intended or approved except where specified in Owner's Manual.
- Loaded boom angles at specified boom lengths give only an approximation of the operating radius. The boom angle before loading should be greater to account for deflections. Do not exceed the operating radius for rated loads.
- Use rating of next longer boom for boom lengths not shown. Use rating of next greater radius for load radii not shown.
- Boom must be fully retracted when jib is erected before lowering below minimum angle. Retracted jib has no lifting capacity below a 50° boom angle.
- Use rating of next lower boom angle for boom angles not shown on jib load rating chart.
- Lifting off the main boom point while the swing around jib is erected is not intended or approved.
- Do not lower boom into this area, as hydraulic pressure will not allow raising the boom without retracting boom first.
- Crane load ratings on outriggers are based on freely suspended loads with the machine leveled and standing on a firm uniform supporting surface. No attempt shall be made to move a load horizontally on the ground in any direction.
- Practical working loads depend on supporting surface, wind and other factors affecting stability such as hazardous surroundings, experience of personnel, and proper handling, must all be taken into account by the operator.
- The maximum load which may be telescoped is limited by hydraulic pressure, boom angle, and boom lubrication. It is safe to attempt to telescope any load within the limits of the load rating chart.

INFORMATION

- Deductions must be made from rated loads for stowed jib, optional attachments, hooks and loadblocks (see deduction chart). Weights of slings and other load handling devices shall be considered a part of the load.
- Crane load ratings with outriggers are based on outriggers and stabilizers extended and set with all load removed from the carrier wheels.
- Load ratings do not exceed 85% of tipping load.

DEFINITIONS

- Operating radius is the horizontal distance from the axis of rotation to the center of the vertical hoist line or load hook with load suspended.
- Loaded boom angle as shown in the Load Ratings Chart is the included angle between the horizontal and longitudinal axes of the boom base after lifting rated load at rated radius.

RM MODEL

LOAD RATINGS



CAUTION Do not use this specification sheet as a load rating chart. The format of data is not consistent with the machine chart and may be subject to change.

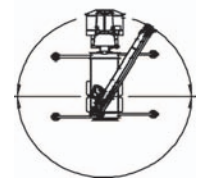
BOOM LENGTH Maximum Load Chart in pounds (lbs) with fully extended outrigger

OPERATING RADIUS (FT)	27 FT		34 FT		43 FT		52 FT		61 FT		70 FT	
	LOADED BOOM ANGLE (DEG)	LOAD RATING (LB)	LOADED BOOM ANGLE (DEG)	LOAD RATING (LB)	LOADED BOOM ANGLE (DEG)	LOAD RATING (LB)	LOADED BOOM ANGLE (DEG)	LOAD RATING (LB)	LOADED BOOM ANGLE (DEG)	LOAD RATING (LB)	LOADED BOOM ANGLE (DEG)	LOAD RATING (LB)
5	77	34,000*										
10	66	21,100*	71	17,100*	75	16,000*	78	15,700*				
15	54	15,100*	62	14,000*	68	12,100*	72	11,100*	75	10,800*	77	9,600*
20	39	11,100*	51	10,100*	61	9,100*	66	8,600*	71	8,200*	73	7,300*
25	17	7,900*	40	7,700*	53	7,100*	61	6,900*	66	6,600*	69	5,900*
30			23	6,500*	44	6,100*	54	5,600*	60	5,300*	64	4,900*
35					33	4,800*	47	4,700*	54	4,600*	60	4,150*
40					16	3,500*	38	4,100*	48	3,900*	55	3,550*
45							27	3,250*	41	3,200*	49	3,050*
50							9	2,950*	33	2,800*	44	2,650*
55									23	2,500*	37	2,350*
60											29	1,900*
65											19	1,700*

NOTE: STRUCTURAL STRENGTH RATINGS IN CHART ARE INDICATED WITH AN ASTERISK *

AREA OF OPERATION

360° Full Capacity Area of Operation



Deductions from rate loads for load handling devices RM

Overhaul Ball	125 lbs
1 Sheave Load Block	200 lbs
2 Sheave Load Block	230 lbs

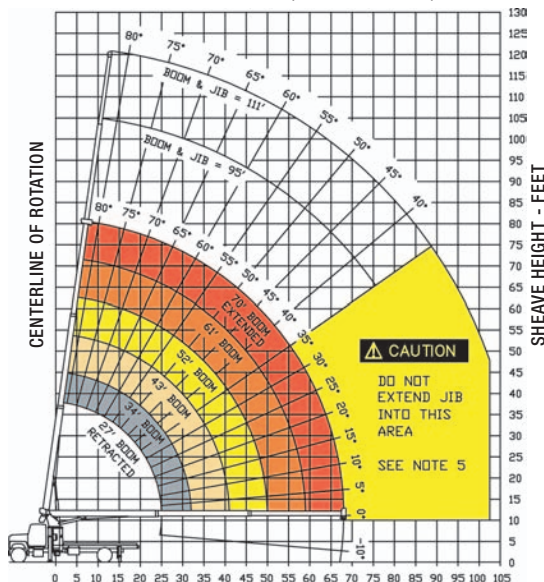
STOWED JIB DEDUCTIONS (POUNDS)

450	360	260	230	200	175
-----	-----	-----	-----	-----	-----

JIB CAPACITIES FOR ALL BOOM LENGTHS VERIFY OPERATIONAL MODE SETTING ON LMI DISPLAY BEFORE LIFTING WITH JIB

Loaded Boom Angle	35°	40°	45°	50°	55°	60°	65°	70°	75°	80°
Retracted 24 ft Jib	700	825	1,000	1,150	1,340	1,600	1,900	2,300	3,100	4,160
Extended 40 ft Jib	520	580	650	730	810	930	1,080	1,400	1,810	2,260

RANGE DIAGRAM (27 - 70 FT BOOM)



GENERAL NOTES

- The operator must read and understand the Owner's Manual before operating this crane.
- Positioning or operation of crane beyond areas shown on this chart is not intended or approved except where specified in Owner's Manual.
- Loaded boom angles at specified boom lengths give only an approximation of the operating radius. The boom angle before loading should be greater to account for deflections. Do not exceed the operating radius for rated loads.
- Use rating of next longer boom for boom lengths not shown. Use rating of next greater radius for load radii not shown.
- Boom must be fully retracted when jib is erected before lowering below minimum angle. Retracted jib has no lifting capacity below a 50° boom angle.
- Use rating of next lower boom angle for boom angles not shown on jib load rating chart.
- Lifting off the main boom point while the swing around jib is erected is not intended or approved.
- Do not lower boom into this area, as hydraulic pressure will not allow raising the boom without retracting boom first.
- Crane load ratings on outriggers are based on freely suspended loads with the machine leveled and standing on a firm uniform supporting surface. No attempt shall be made to move a load horizontally on the ground in any direction.
- Practical working loads depend on supporting surface, wind and other factors affecting stability such as hazardous surroundings, experience of personnel, and proper handling, must all be taken into account by the operator.
- The maximum load which may be telescoped is limited by hydraulic pressure, boom angle, and boom lubrication. It is safe to attempt to telescope any load within the limits of the load rating chart.

INFORMATION

- Deductions must be made from rated loads for stowed jib, optional attachments, hooks and loadblocks (see deduction chart). Weights of slings and other load handling devices shall be considered a part of the load.
- Crane load ratings with outriggers are based on outriggers and stabilizers extended and set with all load removed from the carrier wheels.
- Load ratings do not exceed 85% of tipping load.

DEFINITIONS

- Operating radius is the horizontal distance from the axis of rotation to the center of the vertical hoist line or load hook with load suspended.
- Loaded boom angle as shown in the Load Ratings Chart is the included angle between the horizontal and longitudinal axes of the boom base after lifting rated load at rated radius.



BOOM TRUCK CRANE STINGER 3470

BT MODEL

WINCH DATA						
		1 Part Line	2 Part Line	3 Part Line	4 Part Line	
Winch	Cable Supplied	Lift and Max Speed	Lift and Max Speed	Lift and Max Speed	Lift and Max Speed	
Standard Stationary Winch	9/16" Diam IWRC XXIP	10,500 lb 186 fpm	21,000 lb 93 fpm	31,500 lb 62 fpm	34,000 lb 45.5 fpm	
	9/16" Diam Rotation Resistant	6,720 lb 186 fpm	13,440 lb 93 fpm	20,160 lb 56.7 fpm	26,880 lb 45.5 fpm	

BLOCK TYPE	
Overhaul Ball	6.25 ton (5.7 mt)
1 Sheave Block	17.5 ton (15.9 mt)

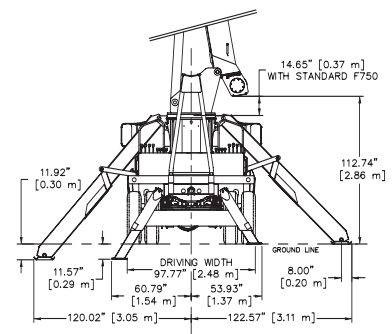
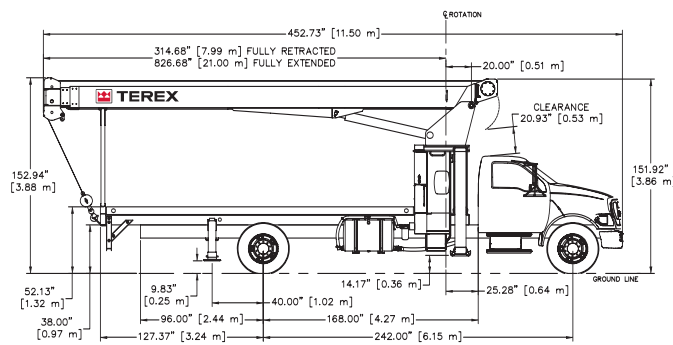
CAUTION ⚠️

Overload and anti-two-block systems must be in good operating condition before operating crane. Refer to Owners Manual.

Keep at least 3 wraps of loadline on drum at all times.

Use only 9/16" diameter cable with 37,000 lb. breaking strength on this machine.

2 MOUNTING CONFIGURATIONS



CARRIER PROVIDED BY TEREX

STINGER BT3470 - Behind Cab Mounting Configuration	
Manufacturer	Ford F-750 4 x 2 Chassis
Standard Engine	Caterpillar C-7 7.2 L I-6
Standard Horsepower	210 hp @ 2,500 rpm
Standard Torque	605 lb. Ft. @ 1,440 rpm
Full Tank Capacity	45 gal (170 L)
Standard Transmission	Spicer ES066-7B
Speed Standard Transmission	Manual 7-speed
Max Speed Standard Transmission	74 mph (118.4 km/h)
Max Gradeability	17.7% in 1st
Standard Transmission	15.8% in Rev
Optional Transmission	Allison
Speed Optional Transmission	Automatic 5-speed
Max Speed Optional Transmission	74 mph (118.4 km/h)
Max Gradeability	21.1% in 1st
Optional Transmission	30.5% in Rev
Gross Vehicle Weight Rating	33,000 lb (14 969 kg)
Front Axle Weight Rating	12,000 lb (5 443 kg)
Rear Axle Weight Rating	21,000 lb (9 525 kg)
Front Tires	22.5" x 8.5" 11R22.5 G Goodyear G159
Rear Tires	22.5" x 7.5" 11R22.5 G Goodyear G167A
Brakes	Air, Hydraulic Anti-Lock System
Exhaust Position	Horizontal Left Side

INCLUDED OPTIONS

- ▶ Fuel tank (45 gal)-175 L
- ▶ Power Steering
- ▶ Electric Horn
- ▶ Factory A/C
- ▶ Power Port (Cigar lighter)
- ▶ AM/FM Radio w/ Clock
- ▶ Dual West Coast Stainless Rear View Mirrors
- ▶ Standard Factory Warranty

CHASSIS RECOMMENDATIONS

STINGER BT3470 - Behind Cab Mounting Configuration	
Combined Axle Weight Rating	33,000 lb (14 969 kg)
Front Axle Weight Rating	12,000 lb (5 443 kg)
Rear Axle Weight Rating	21,000 lb (9 525 kg)
Wheel base	242" (6.15 m)
Cab to Axle	168" (4.27 m)
Afterframe	96" (2.44 m)
Frame Section Modulus	16.98 in ³ (278 cm ³)
RBM per Frame Rail	1,400,000 in/lb (16 130 kg/m)
Frame Height (Unloaded)	40" (7.62 m)
Exhaust Position	Horizontal Left Side