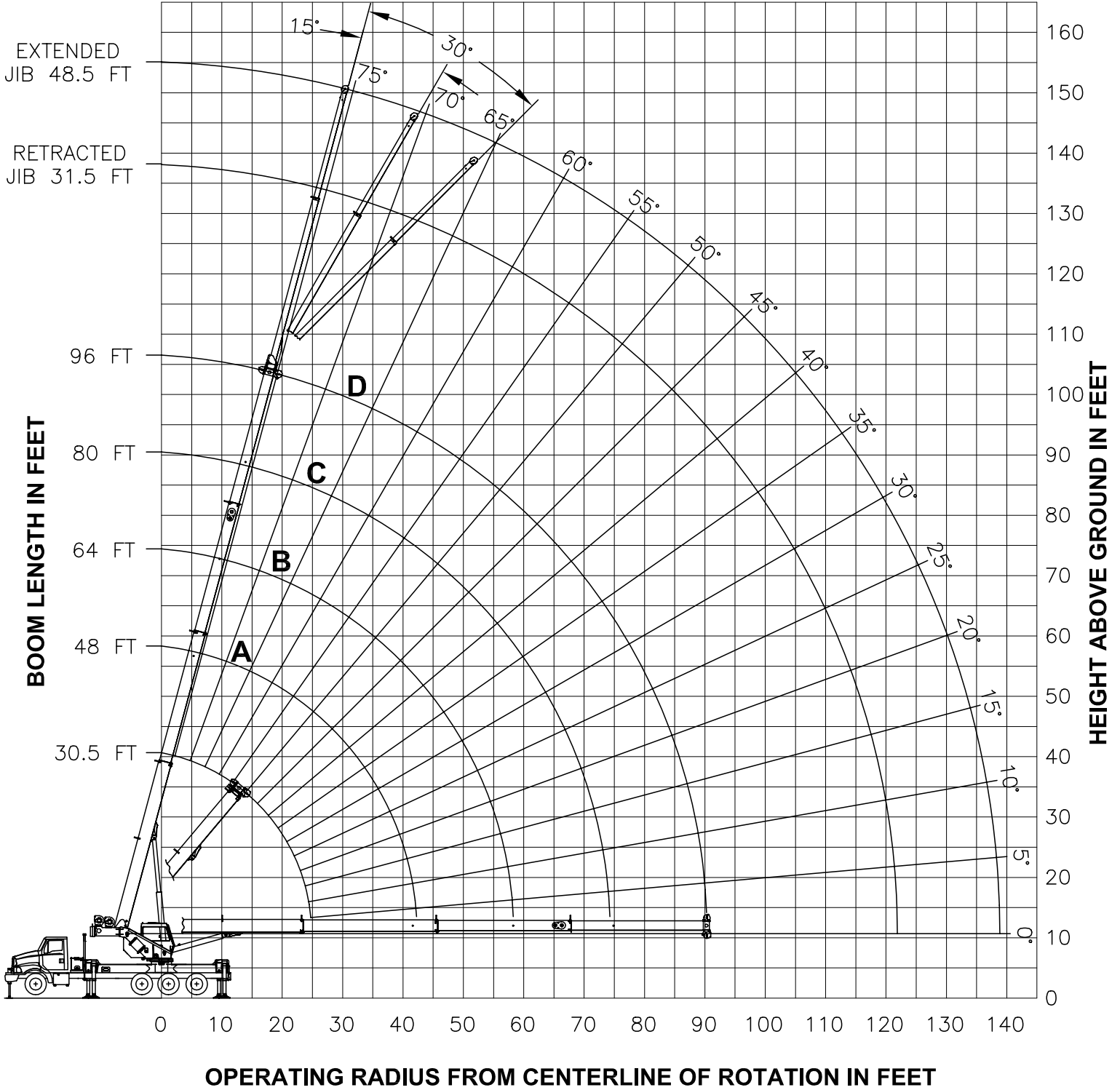
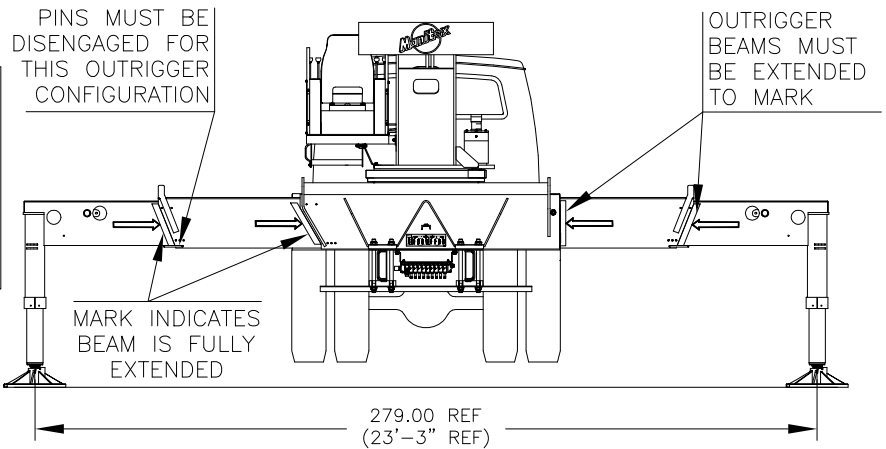


- RANGE DIAGRAM -



USE THIS CHART ONLY WHEN ALL OUTRIGGER BEAMS ARE FULLY EXTENDED



MAIN BOOM LIFTING CAPACITIES

LOAD RADIUS (FT)	BOOM LENGTH 30.5 FT			BOOM LENGTH 48 FT (A)			BOOM LENGTH 64 FT (B)			DEDUCTIONS FOR JIB FROM MAIN BOOM CAPACITIES	
	LOADED BOOM ANGLE (DEG)	CODE 1 OVER REAR (LBS)	CODE 3 FULL 360° (LBS)	LOADED BOOM ANGLE (DEG)	CODE 1 OVER REAR (LBS)	CODE 3 FULL 360° (LBS)	LOADED BOOM ANGLE (DEG)	CODE 1 OVER REAR (LBS)	CODE 3 FULL 360° (LBS)		
6	69	100000	100000								
8	65	90400	90400								
10	61	80000	80000	73	51000	51000					
12	56	71800	71800	70	51000	51000					
15	49	61700	61700	66	51000	51000	73	40000	40000		
20	34	46100	46100	59	47000	47000	69	37700	37700		
25				52	36800	36800	64	30400	30400		
30				44	29480	25890	59	27040	26420		
35				34	22630	19320	53	23100	19830		
40				20	18020	15030	47	18510	15550		
45							40	15230	12550		
50							32	12750	10320		
55							21	10810	8590		
				1080 LBS			690 LBS			STOWED JIB	
				3050 LBS			2680 LBS			ERECTED JIB (RETRACTED)	
				3470 LBS			2950 LBS			ERECTED JIB (EXTENDED)	

LOAD RADIUS (FT)	BOOM LENGTH 80 FT (C)			BOOM LENGTH 96 FT (D)			DEDUCTIONS FOR JIB FROM MAIN BOOM CAPACITIES				
	LOADED BOOM ANGLE (DEG)	CODE 1 OVER REAR (LBS)	CODE 3 FULL 360° (LBS)	LOADED BOOM ANGLE (DEG)	CODE 1 OVER REAR (LBS)	CODE 3 FULL 360° (LBS)					
20	74	27500	27500								
25	70	24300	24300	75	18000	18000					
30	66	21280	21280	72	17500	17500					
35	62	19050	19050	69	16240	16240					
40	58	16980	15820	65	14660	14660					
45	53	15250	12810	62	13280	12970					
50	49	13000	10580	58	12130	10730					
55	44	11070	8860	54	11080	9020					
60	38	9530	7500	50	9680	7650					
65	31	8260	6380	46	8420	6540					
70	22	7200	5450	41	7360	5620					
75				36	6470	4840					
80				30	5700	4170					
85				23	5020	3580					
90				8	4410	3050					
				410 LBS			350 LBS			STOWED JIB	
				2420 LBS			2360 LBS			ERECTED JIB (RETRACTED)	
				2580 LBS			2490 LBS			ERECTED JIB (EXTENDED)	