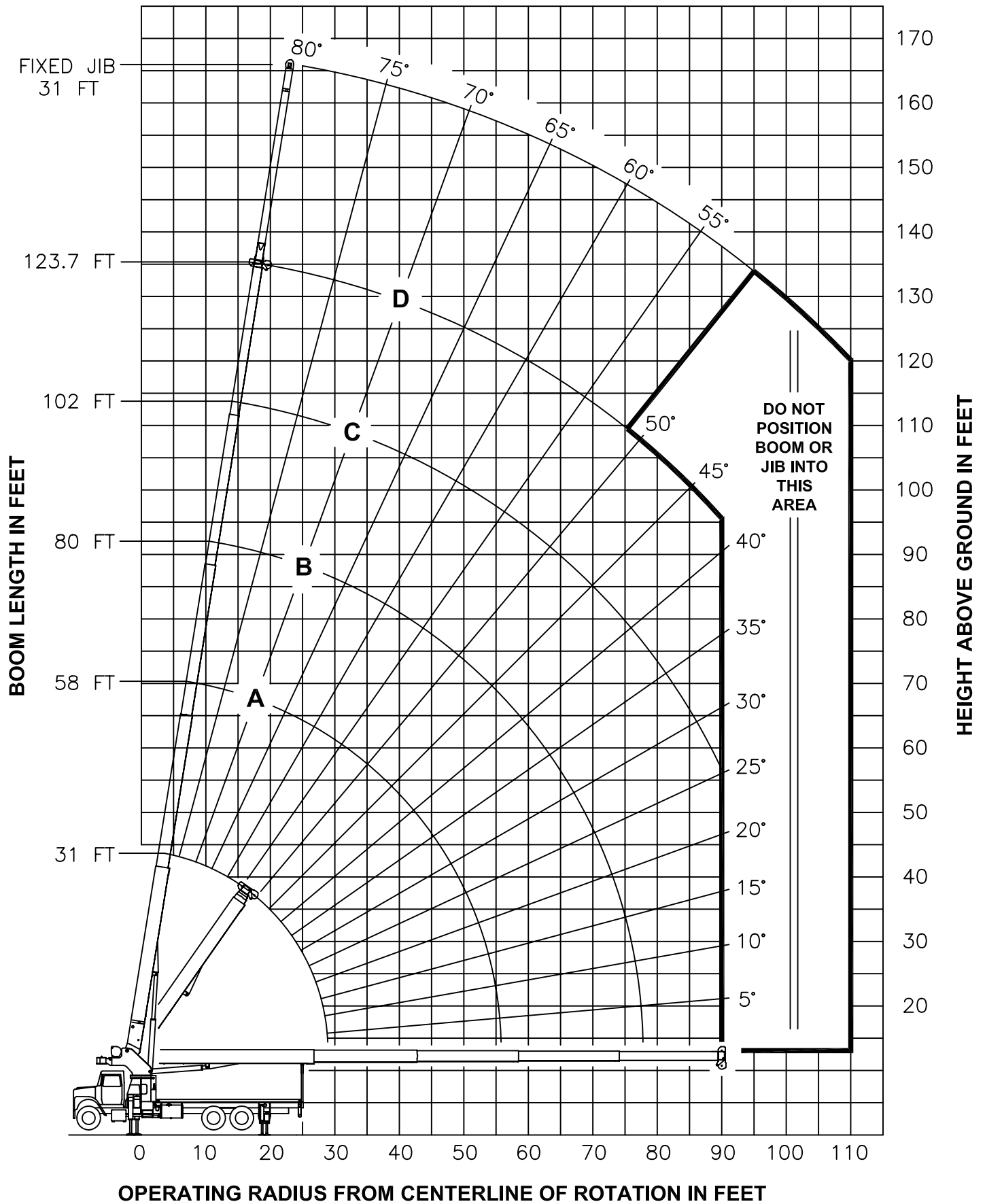
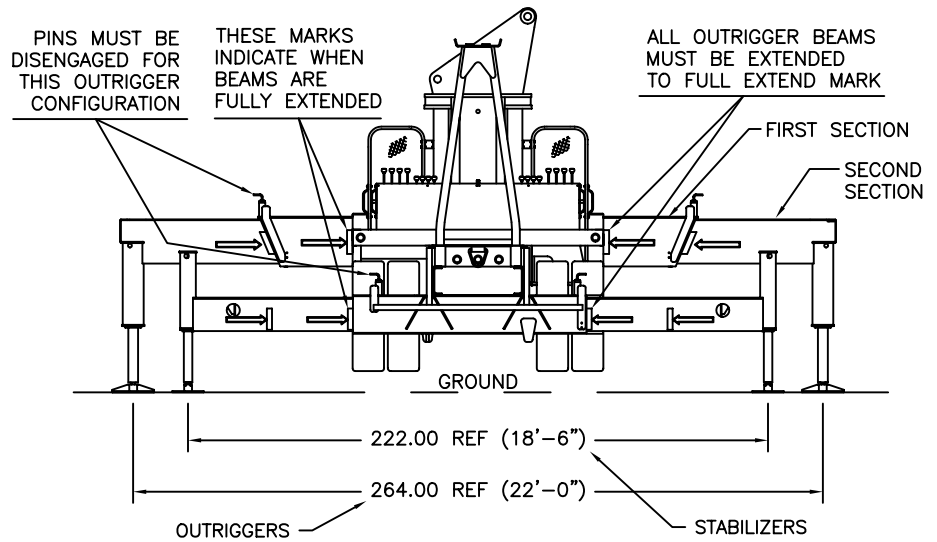


RANGE DIAGRAM - FULL SPREAD CONFIGURATION -



**USE THIS CHART ONLY
WHEN OUTRIGGERS
AND STABILIZERS ARE
FULLY EXTENDED**



- FULLY EXTENDED OUTRIGGER CONFIGURATION -

		MAIN BOOM LOAD RATINGS IN LBS								JIB LOAD RATINGS IN LBS													
		LMI CODE #1								LMI CODE #2													
OPERATING RADIUS IN FT	LOADED BOOM ANGLE BOOM LENGTH AND MARKER	A		B		C		D		OPERATING RADIUS IN FT	BOOM ANGLE LOADED	31 FT JIB FOR ALL BOOM LENGTHS SEE WARNING NOTE 4											
		31 FT	58 FT	80 FT	102 FT	123.7 FT	10	12	15				20	25	30	35	40	45	50	55	60	65	70
6	81	70000																					
8	76	53390																					
10	72	45380								10													
12	68	39420	79	25000						12													
15	61	33110	76	25000	81	21500				15													
20	49	23710	71	22870	78	19700	81	14500		20													
25	34	17680	65	18280	74	17420	79	13500	81	8450	25												
30			60	14150	70	14320	76	12820	79	8150	30	81	4000										
35			53	11080	66	11270	73	11370	76	7800	35	79	3850										
40			47	8590	62	8770	69	8870	74	7280	40	77	3700										
45			39	6780	57	6960	66	7050	72	6780	45	75	3550										
50			29	5400	52	5580	63	5660	69	5710	50	73	3400										
55			13	4320	47	4490	59	4570	66	4620	55	71	3250										
60					42	3620	56	3700	64	3740	60	69	3080										
65					36	2890	52	2970	61	3020	65	67	2910										
70					28	2290	48	2370	58	2410	70	66	2740										
75					18	1770	44	1850	55	1900	75	64	2220										
80							39	1410	52	1450	80	62	1770										
85							34	1030	49	1070	85	60	1390										
90							28	690	45	730	90	57	1050										
95											95	55	750										
		450 LBS	240 LBS	180 LBS	140 LBS	120 LBS	DEDUCTIONS FOR STOWED JIB																