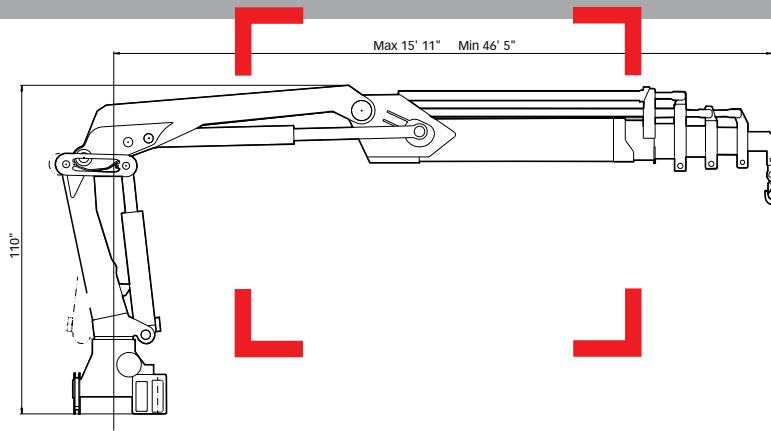




## HIAB 200 C Capacity 144,660 ft-lbs (20 tm)



### Basic data

[www.hiab.com](http://www.hiab.com)

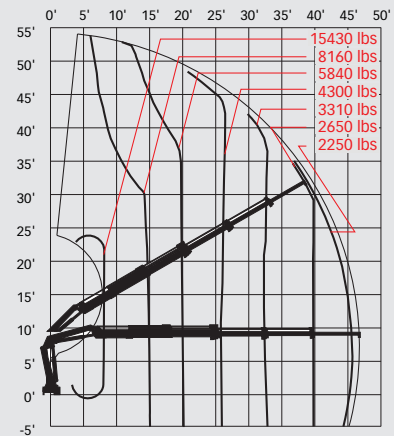
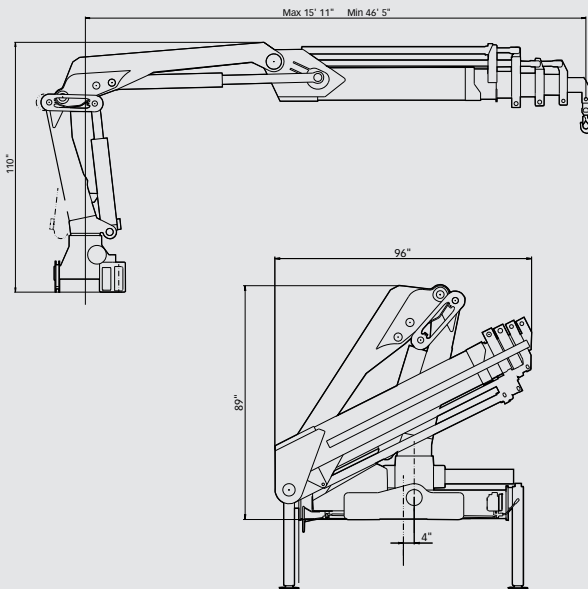


# HIAB 200 C Basic data

## ➤ Technical data

	200 C-1	200 C-2	200 C-3	200 C-4	200 C-5
Max. lifting capacity (ft-lbs)	141,610	130,550	126,860	123,910	120,220
Outreach - hydraulic extensions	20'4"	26'3"	32'10"	39'8"	46'3"
Outreach - manual extensions	-	46'7"	53'6"	60'8"	60'4"
Outreach / lifting capacity (ft / lbs)	8'6" / 15430	8'2" / 15430	8'2" / 15430	7'10" / 15430	7'10" / 15430
	14'9" / 9590	14'9" / 8820	14'9" / 8600	14'9" / 8380	14'9" / 8160
	19'8" / 7170	19'8" / 6500	20'4" / 6280	19'8" / 6060	19'8" / 5840
	-	25'7" / 5030	26'3" / 4740	25'7" / 4520	25'7" / 4300
	-	-	32'2" / 3750	32'2" / 3530	32'2" / 3310
	-	-	-	38'9" / 2890	38'9" / 2650
	-	-	-	-	45'3" / 2250
Slewing angle	406°	406°	406°	406°	406°
Height in folded position	89"	89"	89"	89"	89"
Width in folded position	96"	96"	96"	98"	98"
Installation space needed	35"	35"	35"	35"	39"
Weight - "standard" crane without stabilizers (lbs)	4,370	4,670	5,000	5,290	5,530
Weight - stabilizer equipment (lbs)	520 - 840	520 - 840	520 - 840	520 - 840	520 - 840

## ➤ HIAB 200 C-5



### Disclaimer

Hiab cranes has been built to meet the highest standards of safety and service life and has been thoroughly tested. Strength calculations for this model have been carried out in accordance with DIN 15018. Hiab's certified Quality Assurance System complies with the ISO 9001. Some of the items in our literature may be extra equipment. Certain applications may require an official permit. We reserve the right to change technical specifications without prior notice. Hiab cranes produced for EU-countries are CE-marked and comply with the European Standard EN 12999.