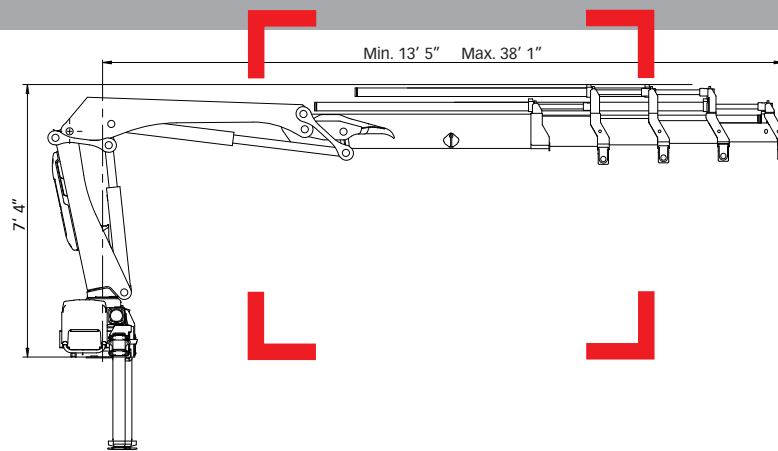




HIAB XS 077 HiDUO Capacity 8 tm (58,300 ft-lbs)



Basic data

www.hiab.com

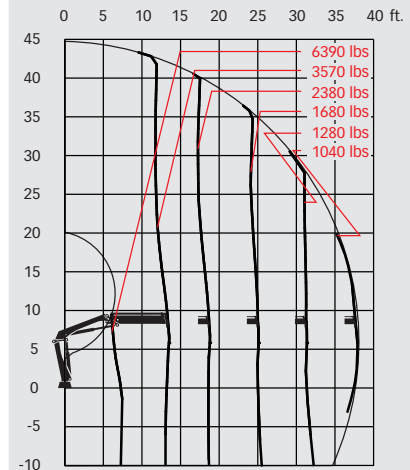
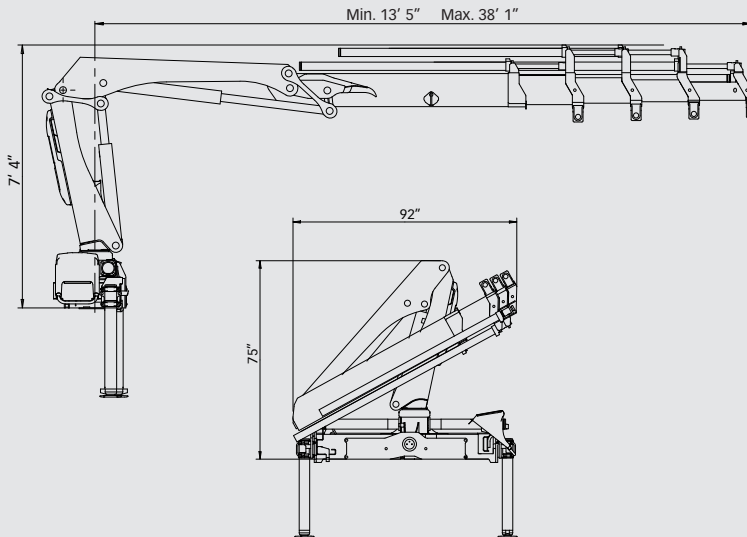


HIAB XS 077 HiDUO Basic data

Technical data

	B-1.2 HiDUO	B-2.3 HiDUO	B-3.3 HiDUO	E-3.4 HiDUO	E-4.4 HiDUO
Max. lifting capacity (ft.lbs)	54,270	52,100	49,920	49,200	47,750
Outreach - hydraulic extensions	18' 8"	24' 11"	31' 6"	31' 2"	38' 1"
Outreach - manual extensions	31' 6"	38' 5"	38' 5"	38' 1"	-
Outreach / Lifting capacity, ADC mode (ft / lbs)	8' 6" / 6,280	9' 2" / 5,730	9' 6" / 5,290	6' 11" / 6,830	7' 3" / 6,390
	12' 6" / 4,370	12' 6" / 4,190	12' 6" / 4,010	13' 1" / 3,790	13' 5" / 3,570
	17' 9" / 3,090	17' 9" / 2,910	17' 9" / 2,730	18' 4" / 2,600	18' 8" / 2,380
	-	23' 7" / 2,160	23' 11" / 1,940	24' 7" / 1,900	24' 11" / 1,680
	-	-	30' 2" / 1,540	30' 10" / 1,460	31' 2" / 1,280
	-	-	-	-	38' 1" / 1,040
Slewing angle	190 - 410°	190 - 410°	190 - 410°	190 - 410°	190 - 410°
Height in folded position (")	75	75	75	75	75
Width in folded position (")	83	86	88	88	92
Installation space needed (")	27	27	29	31	28
Weight - "standard" crane without stabilizers (lbs)	1,930	2,140	2,340	2,340	2,510
Weight - stabilizer equipment (lbs)	310 - 630	310 - 630	310 - 630	310 - 630	310 - 630

HIAB XS 077 E-4.4 HiDUO



Disclaimer

Hiab cranes have been built to meet the highest standards of safety and service life and have been thoroughly tested. Strength calculations for this model have been carried out in accordance with EN13001. Hiab's certified Quality Assurance System complies with the ISO 9001. Some of the items in our literature may be extra equipment. Certain applications may require an official permit. We reserve the right to change technical specifications without prior notice. Hiab cranes produced for EU-countries are CE-marked and comply with the European Standard EN 12999.