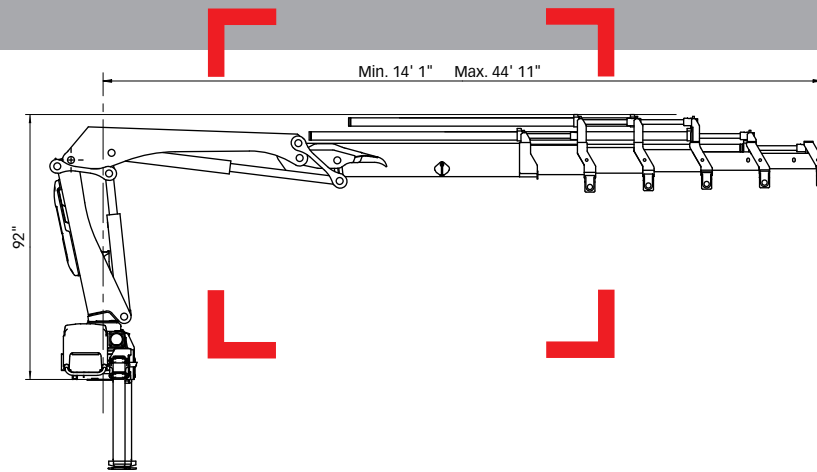




HIAB **XS** 088 HiDUO Capacity 9 tm (63,400 ft-lbs)



Basic data

www.hiab.com

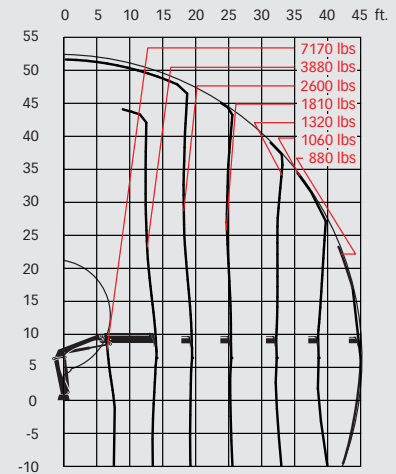
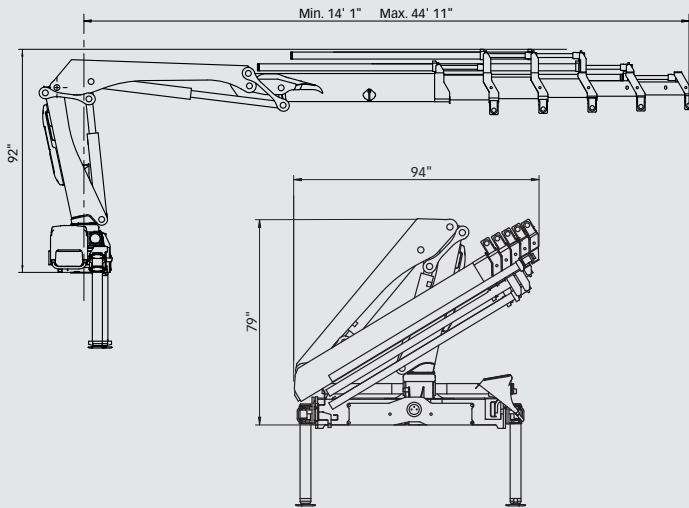


HIAB XS 088 HiDUO Basic data

Technical data

	B-1.2 HiDUO	B-2.3 HiDUO	B-3.3 HiDUO	E-3.4 HiDUO	E-4.5 HiDUO	E-5.5 HiDUO
Max. lifting capacity (ft.lbs)	62,230	59,930	56,440	59,330	56,440	52,100
Outreach - hydraulic extensions	18' 8"	25' 3"	31' 10"	31' 2"	38' 1"	44' 11"
Outreach - manual extensions	31' 10"	38' 9"	38' 9"	44' 11"	44' 11"	-
Outreach / Lifting capacity, ADC mode (ft / lbs)	8' 10" / 7,050	9' 6" / 6,390	10' 2" / 5,840	6' 11" / 8,160	7' 3" / 7,720	7' 3" / 7,170
	12' 6" / 4,960	12' 6" / 4,740	12' 10" / 4,410	13' 5" / 4,370	13' 9" / 4,100	14' 1" / 3,880
	17' 9" / 3,530	17' 9" / 3,260	18' 1" / 3,000	18' 8" / 3,040	19' 0" / 2,780	19' 4" / 2,600
	-	23' 11" / 2,430	23' 11" / 2,200	24' 11" / 2,200	25' 3" / 1,980	25' 7" / 1,810
	-	-	30' 2" / 1,720	31' 2" / 1,720	31' 6" / 1,540	31' 10" / 1,320
	-	-	-	-	38' 1" / 1,230	38' 5" / 1,060
	-	-	-	-	-	44' 11" / 880
Slewing angle	190 - 410°	190 - 410°	190 - 410°	190 - 410°	190 - 410°	190 - 410°
Height in folded position (")	79	79	79	79	79	79
Width in folded position (")	83	86	88	87	91	94
Installation space needed (")	27	27	30	31	28	31
Weight - "standard" crane without stabilizers (lbs)	2,140	2,380	2,580	2,580	2,780	2,950
Weight - stabilizer equipment (lbs)	310 - 630	310 - 630	310 - 630	310 - 630	310 - 630	310 - 630

HIAB XS 088 E-5.5 HiDUO



Disclaimer

Hiab cranes have been built to meet the highest standards of safety and service life and have been thoroughly tested. Strength calculations for this model have been carried out in accordance with EN13001. Hiab's certified Quality Assurance System complies with the ISO 9001. Some of the items in our literature may be extra equipment. Certain applications may require an official permit. We reserve the right to change technical specifications without prior notice. Hiab cranes produced for EU-countries are CE-marked and comply with the European Standard EN 12999.