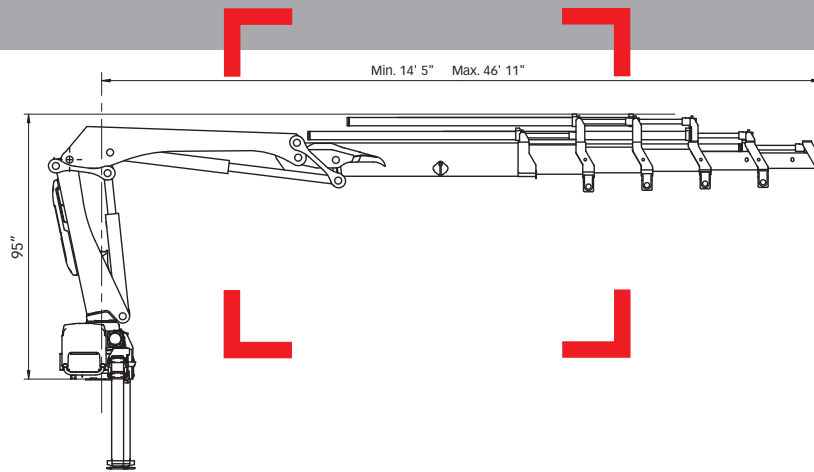




HIAB **XS** 099 HiDUO Capacity 10.4 tm (75,200 ft-lbs)



Basic data

www.hiab.com

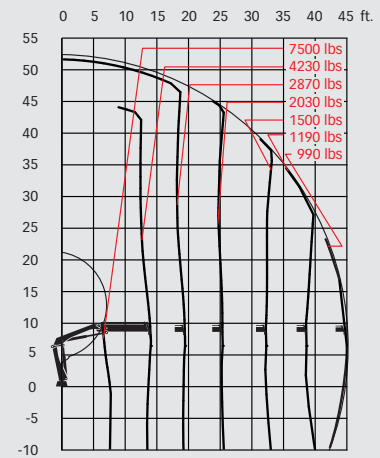
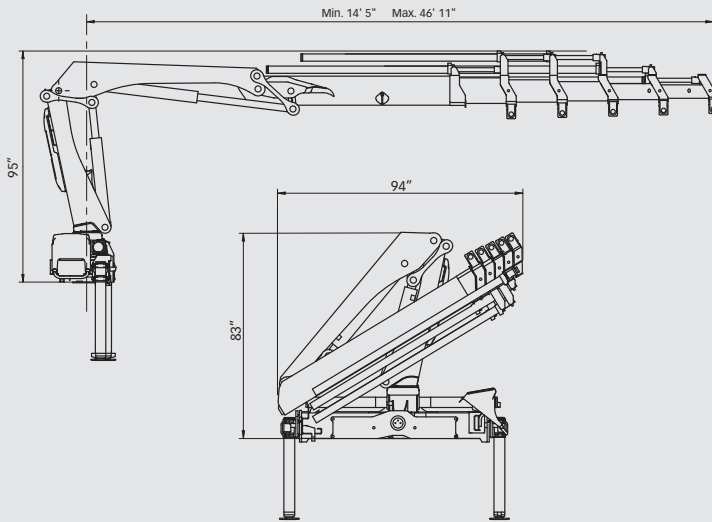


HIAB XS 099 HiDUO Basic data

➤ Technical data

	B-1.2 HiDuo	B-2.3 HiDuo	B-3.3 HiDuo	E-3.4 HiDuo	E-4.5 HiDuo	E-5.5 HiDuo
Max. lifting capacity (ft.lbs)	71,630	68,740	66,570	70,180	65,840	62,950
Outreach - hydraulic extensions	19' 0"	25' 7"	32' 2"	31' 6"	39' 8"	46' 11"
Outreach - manual extensions	32' 2"	39' 1"	39' 1"	45' 3"	46' 7"	-
Outreach / Lifting capacity, ADC mode (ft / lbs)	7' 3" / 9,590	8' 10" / 7,720	9' 10" / 6,830	7' 10" / 8,820	8' 2" / 8,050	8' 6" / 7,500
	13' 5" / 5,340	13' 5" / 5,110	13' 9" / 4,810	13' 9" / 5,070	14' 5" / 4,540	14' 9" / 4,230
	18' 8" / 3,840	18' 8" / 3,660	19' 0" / 3,400	19' 0" / 3,570	19' 8" / 3,130	20' 0" / 2,870
	-	24' 11" / 2,730	24' 11" / 2,510	25' 3" / 2,650	25' 11" / 2,250	26' 3" / 2,030
	-	-	31' 2" / 2,030	31' 6" / 2,120	32' 6" / 1,720	32' 10" / 1,500
	-	-	-	-	39' 4" / 1,410	39' 8" / 1,190
	-	-	-	-	-	46' 7" / 990
Weight - stabilizer equipment (lbs)	310 - 630	310 - 630	310 - 630	310 - 630	310 - 630	310 - 630
Height in folded position (")	83	83	83	83	83	83
Width in folded position (")	84	88	90	84	91	94
Installation space needed (")	27	27	30	32	29	33
Weight - "standard" crane without stabilizers (lbs)	2,290	2,510	2,710	2,870	3,260	3,480
Weight - stabilizer equipment (lbs)	310 - 630	310 - 630	310 - 630	310 - 630	310 - 630	310 - 630

➤ HIAB XS 099 E-5.5 CL



Disclaimer

Hiab cranes have been built to meet the highest standards of safety and service life and have been thoroughly tested. Strength calculations for this model have been carried out in accordance with EN13001. Hiab's certified Quality Assurance System complies with the ISO 9001. Some of the items in our literature may be extra equipment. Certain applications may require an official permit. We reserve the right to change technical specifications without prior notice. Hiab cranes produced for EU-countries are CE-marked and comply with the European Standard EN 12999.