



Mechanics Truck DOMINATOR® DSC12

Technical Specifications

Commercial Vehicles



Specification	9 ft DSC12
Body Rating	12,000 ft-lb (1.7 tm)
Body Weight	1700 lb (771 kg)
Body Width (including rain eaves)	82" (208.3 cm)
Sidepack Height	44" (111.8 cm)
Sidepack Depth	15" (38.1 cm)
Cargo Deck Width	50" (127 cm)
Step Bumper Depth	14" (35.6 cm)
Tailgate Height	10" (25.4 cm)
Storage Capacity	63.1 cu ft (1.8 m ³)
Angle of Departure	17° (0.29 rad)
Door Opening Dimensions – 44"H Sidepacks:	
LH 1st Vertical	29.5"W x 38.5"H (74.9 cm x 97.8 cm)
LH Horizontal	43"W x 21"H (109.2 cm x 53.3 cm)
LH Rear	18"W x 38.5"H (45.7 cm x 97.8 cm)
RH 1st Vertical	29.5"W x 38.5"H (74.9 cm x 97.8 cm)
RH Horizontal	43"W x 21"H (109.2 cm x 53.3 cm)
RH Rear	18"W x 38.5"H (45.7 cm x 97.8 cm)



An Oshkosh Corporation Company



Dominator® DSC12 Mechanics Truck



Standard Configuration

9 ft RH & LH standard

Body Materials

The sidepicks are constructed of 14-gauge galvaneal steel. The floor structure is constructed of 12-gauge galvaneal and 1/8" deckplate steel. The step bumper is constructed of galvaneal and cold-rolled steel.

Body Weight

9 ft RH & LH standard 1700 lb (771 kg)

Body Substructure

Patented inverted A-frame design constructed of 12-gauge galvaneal material with integral crane box and rear outrigger housing.

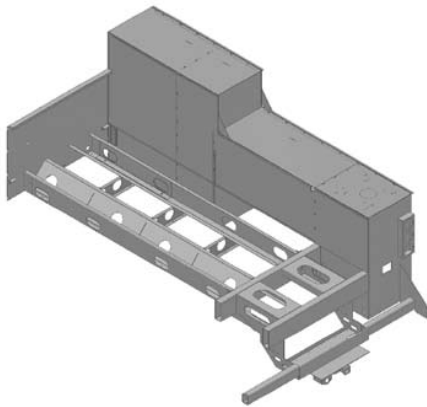
Electrical System

The electrical system consists of a central power distribution point in the crane box using automotive-style harnesses. The circuits use white wire with the circuit function printed every 3" (7.6 cm). The harness is protected by an overbraid that is heat- and cut-resistant.

Doors

The doors are constructed of 14-gauge galvaneal steel with internal formed eaves and hemmed edges. The latches are a 3-point locking rotary T-handle style. They are constructed of cast steel with a powdercoat finish. The hinges are stainless steel with composite washers.

Substructure



Storage Capacity

9 ft RH & LH standard 63.1 cu ft (1.8 m³)

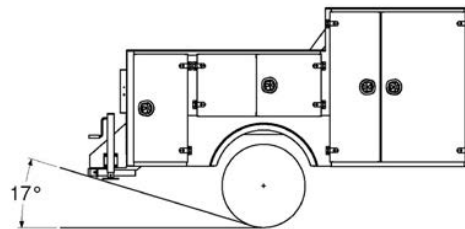
Options

- Drawers and drawer sets
- Standard adjustable shelves
- 3"H (7.6 cm) divided adjustable shelves
- Manual outriggers
- Workbench vises and vise plates
- Individual incandescent compartment lights
- Work lights
- Air systems
- Telescopic cranes up to 12,000 ft-lb (1.7 tm)

Minimum Chassis Specifications

Chassis Style	Single rear wheel cab chassis
Front Axle Rating (GAWR)	4500 lb (2041 kg)
Rear Axle Rating (GAWR)	7050 lb (3198 kg)
Wheelbase	140.8 in (357.6 cm)
Cab-to-Axle	60 in (152.4 cm)
Gross Vehicle Weight Rating	10,500 lb (4763 kg)

Angle of Departure



Iowa Mold Tooling Co., Inc.

500 Highway 18 West • P.O. Box 189 • Garner, Iowa 50438-0189
641-923-3711 • Fax: 641-923-6063 • www.imt.com

800-247-5958

IMT reserves the right to make changes in engineering, design, and specifications; add improvements; or discontinue manufacturing at any time without notice or obligation.

IMT and the IMT logo are registered trademarks or trademarks of Iowa Mold Tooling Co., Inc., Garner, IA, USA.

© 2010 Iowa Mold Tooling Co., Inc. All Rights Reserved.

PN 660309.05/10.2.5k

