



# Load Rating Chart

## *Model 3071C & 3071T*



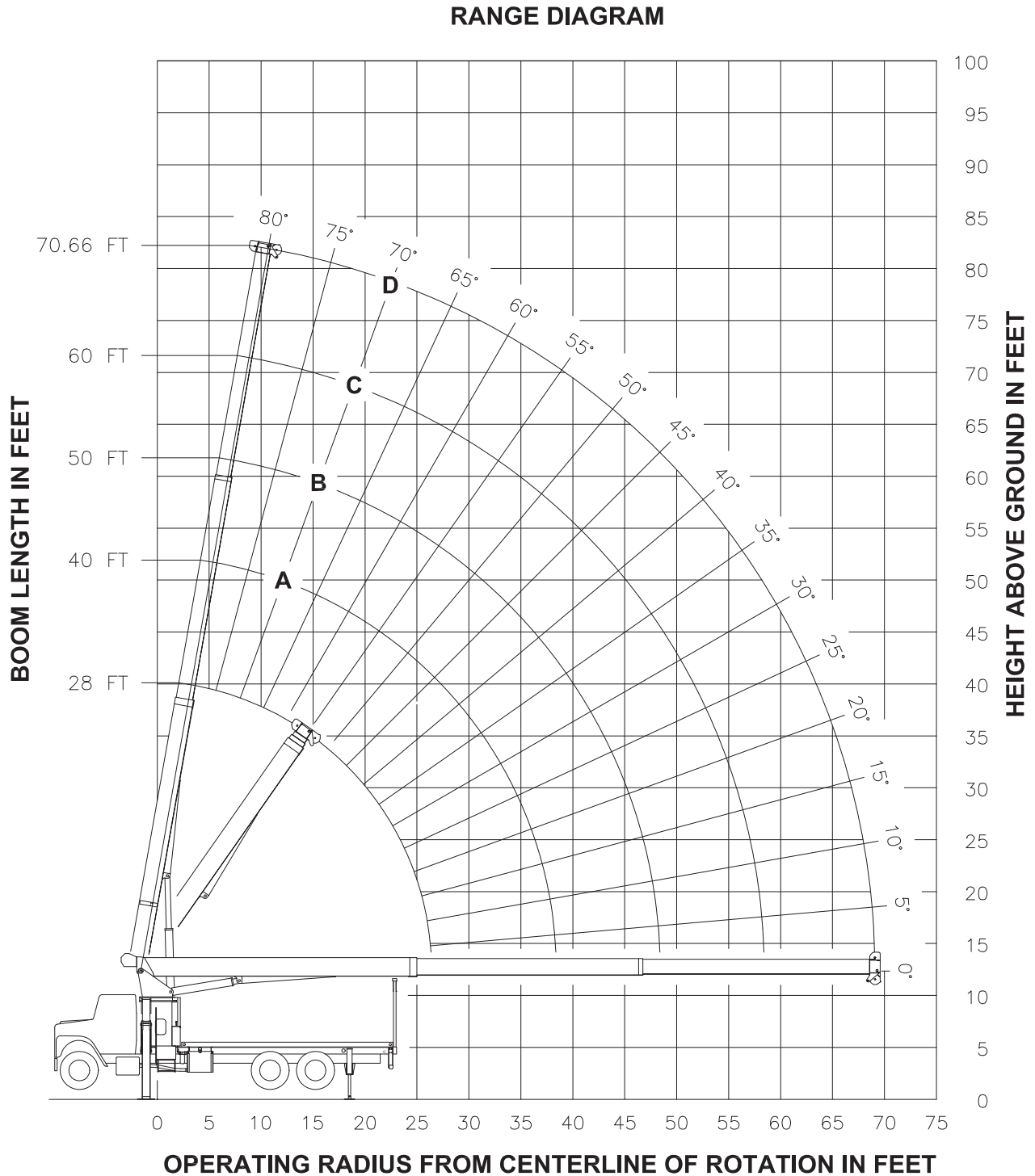
© Manitex

**NOTE:** Additional copies of this Load Rating Chart can be purchased from your Manitex Distributor. When ordering, use the part number shown in the bottom left corner of this page.

7300096-010 NR

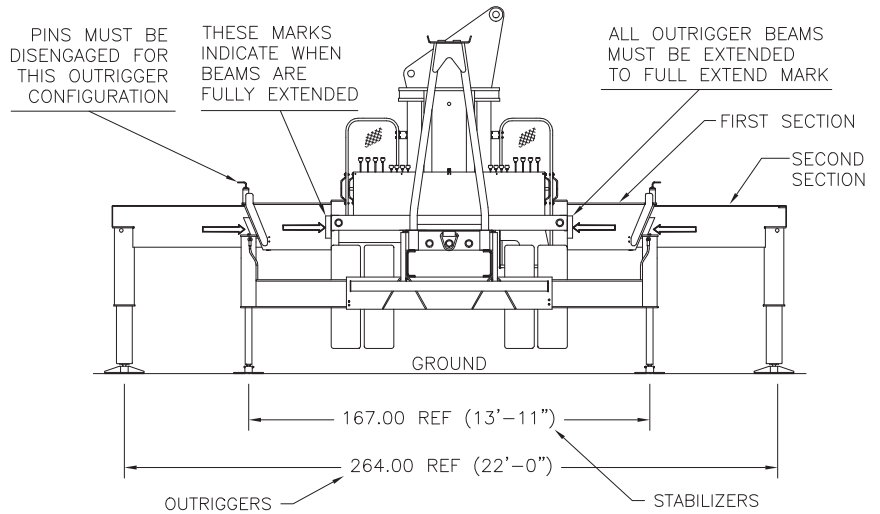


## RANGE DIAGRAM - FULL SPREAD CONFIGURATION -



7300096-010 NR

**USE THIS CHART ONLY  
WHEN OUTRIGGERS  
AND STABILIZERS ARE  
FULLY EXTENDED**



**- FULL SPREAD CONFIGURATION -**

MAIN BOOM LOAD RATINGS IN LBS WITH OUTRIGGERS AND STABILIZERS PLACED AS SHOWN AND THE CRANE LEVEL

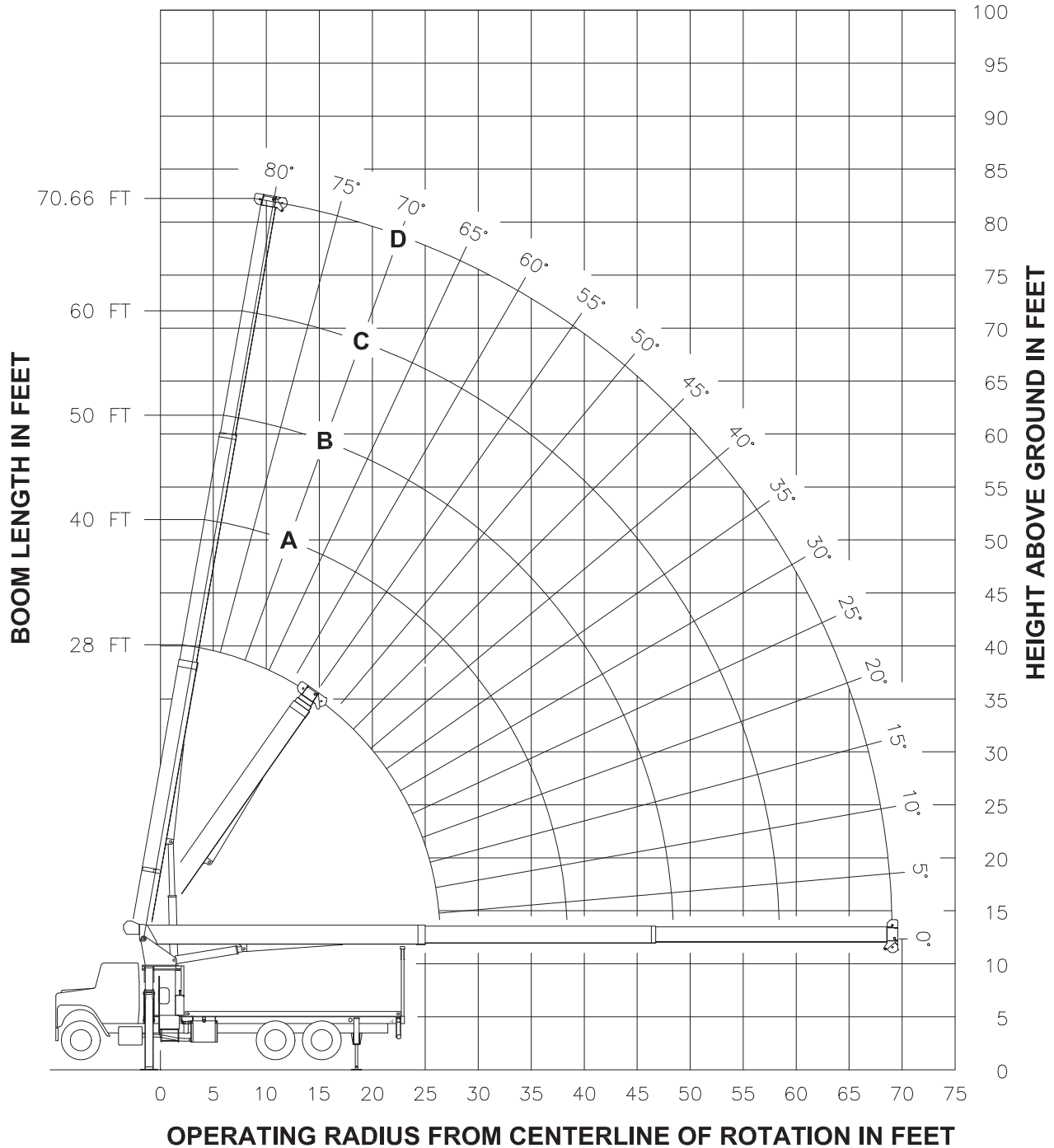
LMI CODE #1

OPERATING RADIUS	LOADED BOOM ANGLE		BOOM LENGTH AND MARKER									
	∠		∠		A		B		C		D	
		28 FT		40 FT		50 FT		60 FT		70.66 FT		
5	80	60000										
8	73	41360	79	38860								
10	69	35200	76	32740	79	31530						
12	64	30820	73	28420	77	27220	80	26400				
15	57	26120	68	23870	73	22700	77	21890	79	19850		
20	43	20810	60	19000	67	17920	72	17150	75	16530		
25	22	16300	51	15830	61	14880	66	14150	71	13570		
30			41	13060	54	12730	61	12070	67	11480		
35			27	10140	46	10270	55	10340	62	9750		
40					36	8090	49	8160	57	8210		
45					24	6540	42	6610	52	6660		
50							33	5450	46	5500		
55							22	4550	40	4600		
60									32	3890		
65									22	3290		

7300096-010 NR

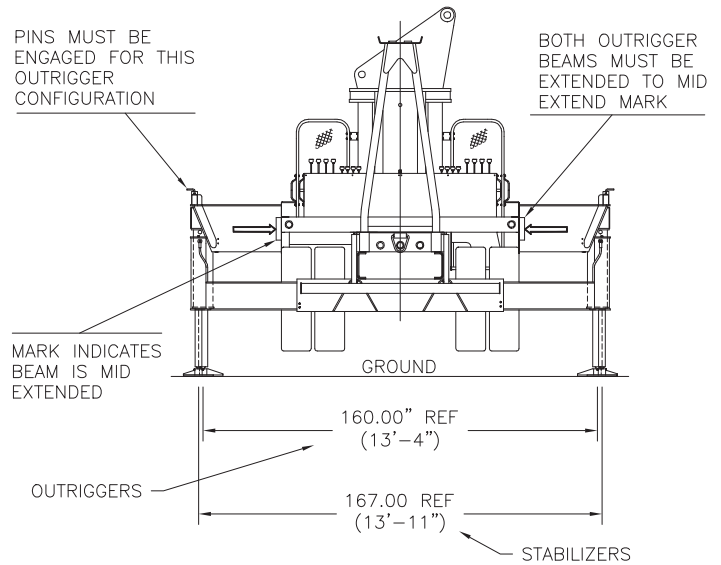
## RANGE DIAGRAM - INTERMEDIATE SPREAD CONFIGURATION - (MID EXTEND)

**RANGE DIAGRAM**



7300096-010 NR

**USE THIS CHART ONLY WHEN FRONT OUTRIGGERS ARE IN THE INTERMEDIATE POSITION AND STABILIZERS ARE FULLY EXTENDED**



**- INTERMEDIATE SPREAD CONFIGURATION - (MID EXTEND)**

MAIN BOOM LOAD RATINGS IN LBS WITH OUTRIGGERS AND STABILIZERS PLACED AS SHOWN AND THE CRANE LEVEL

LMI CODE #9

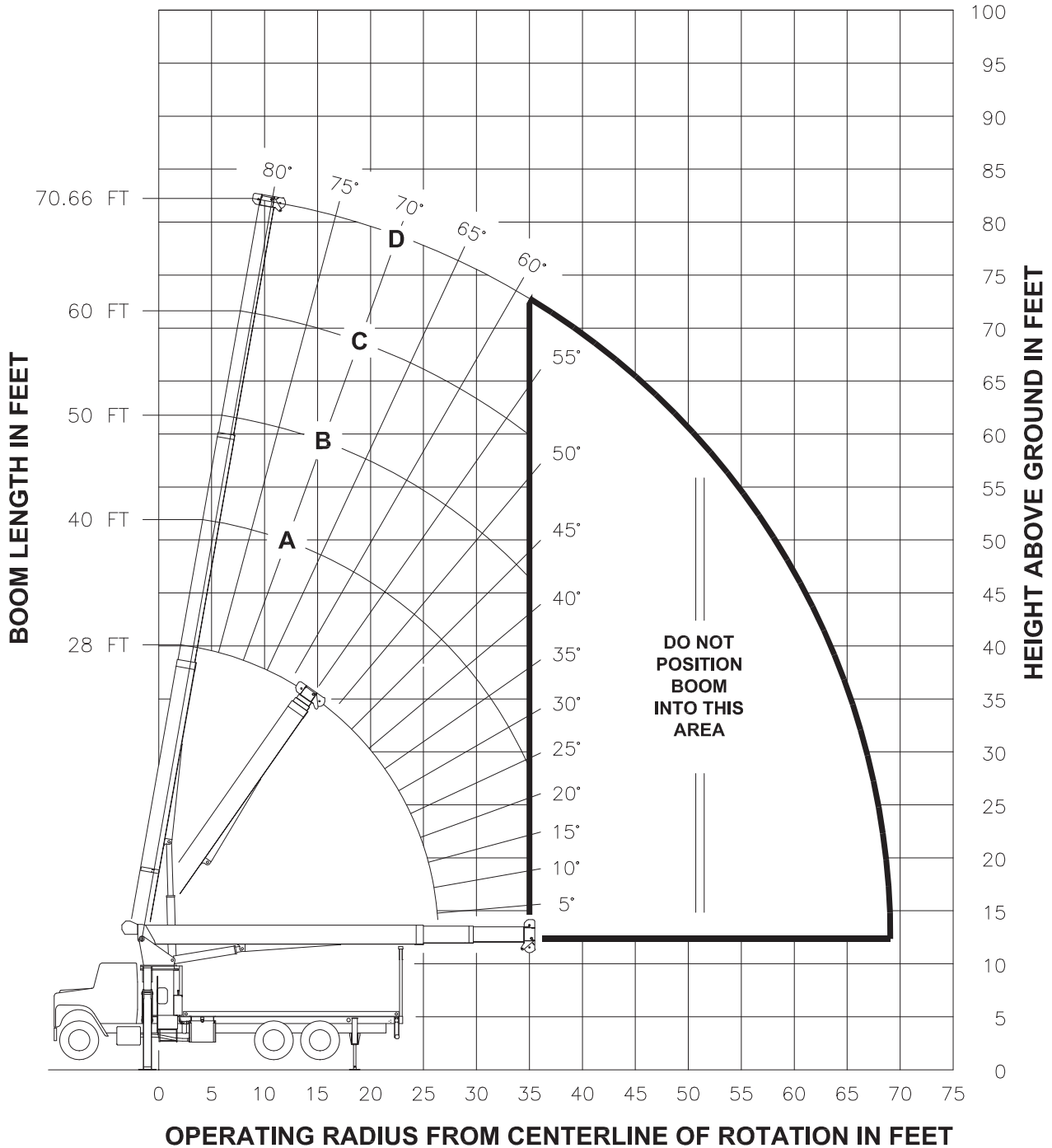
OPERATING RADIUS FT	LOADED BOOM ANGLE		BOOM LENGTH AND MARKER							
	∠	28 FT	∠	40 FT	∠	50 FT	∠	60 FT	∠	70.66 FT
5	80	60000								
8	73	41360	79	38860						
10	69	35200	76	32740	79	31530				
12	64	30820	73	28420	77	27220	80	26400		
15	57	21230	68	21510	73	21630	77	21710	79	19850
20	43	12190	60	12440	67	12550	72	12610	75	12650
25	22	8060	51	8320	61	8420	66	8480	71	8510
30			41	5960	54	6060	61	6110	67	6150
35			27	4430	46	4530	55	4590	62	4620
40					36	3460	49	3510	57	3550
45					24	2650	42	2720	52	2750
50							33	2100	46	2140
55							22	1610	40	1660
60									32	1260
65									22	930

7300096-010 NR



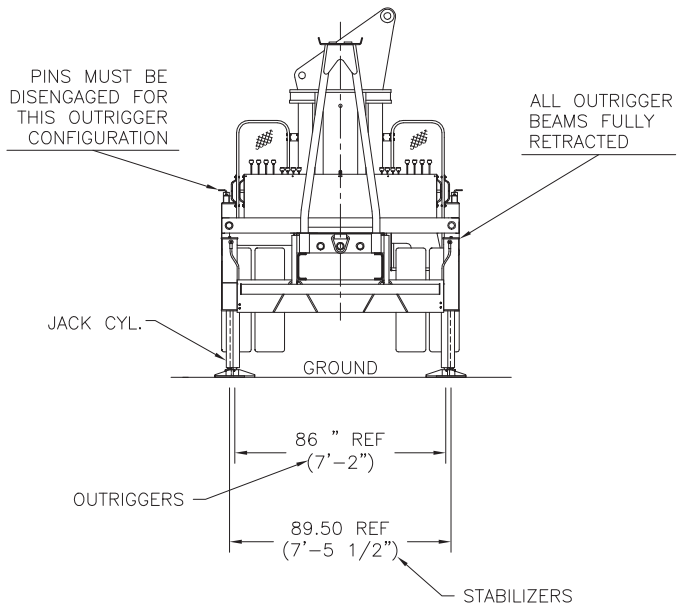
## RANGE DIAGRAM - FULLY RETRACTED SPREAD CONFIGURATION -

RANGE DIAGRAM



7300096-010 NR

**USE THIS CHART  
ONLY WHEN  
OUTRIGGERS AND  
STABILIZERS ARE  
FULLY RETRACTED**



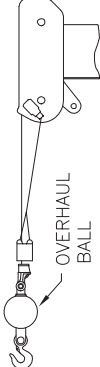
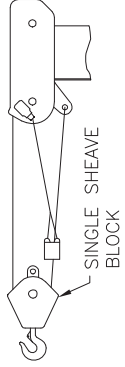
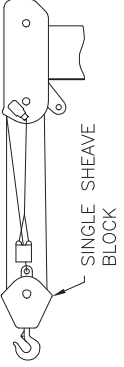
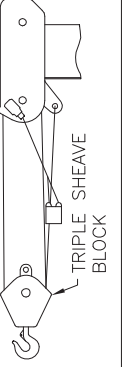
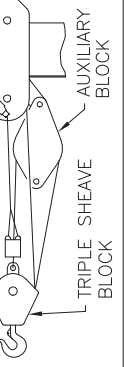
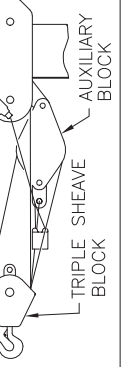
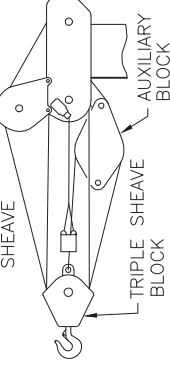
**- FULLY RETRACTED SPREAD CONFIGURATION -**

MAIN BOOM LOAD RATINGS IN LBS WITH OUTRIGGERS AND STABILIZERS PLACED AS SHOWN AND THE CRANE LEVEL												
LMI CODE #13												
OPERATING RADIUS	LOADED BOOM ANGLE		BOOM LENGTH AND MARKER									
					<b>A</b>		<b>B</b>		<b>C</b>		<b>D</b>	
	°	28 FT	°	40 FT	°	50 FT	°	60 FT	°	70.66 FT		
5	80	60000										
8	73	22390	79	22660								
10	69	14550	76	14780	79	14880						
12	64	10430	73	10640	77	10730	80	10790				
15	57	6960	68	7160	73	7240	77	7290	79	7330		
20	43	3980	60	4180	67	4260	72	4300	75	4330		
25	22	2360	51	2590	61	2660	66	2710	71	2740		
30			41	1590	54	1670	61	1720	67	1740		
35			27	900	46	990	55	1040	62	1070		
40												

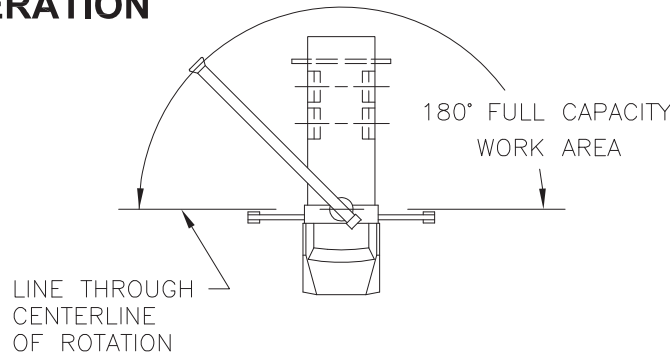
7300096-010 NR

**ALLOWABLE LINE PULL**

**WARNING**

1 PART LINE	2 PART LINE	3 PART LINE	4 PART LINE	5 PART LINE	6 PART LINE	7 PART LINE	<p>ANTI-TWO-BLOCK SYSTEM MUST BE IN GOOD OPERATING CONDITION BEFORE OPERATING CRANE.</p> <p>REFER TO THE OWNER'S MANUAL.</p> <p>KEEP AT LEAST 3 WRAPS OF LOAD LINE ON THE DRUM AT ALL TIMES.</p>
							
8500 LBS	17000 LBS	25500 LBS	34000 LBS	42500 LBS	51000 LBS	60000 LBS	
7400 LBS	14800 LBS	22200 LBS	29600 LBS	37000 LBS	44400 LBS	51800 LBS	<p>9/16" 6X25 IWRC (3.5:1 SF) – 29750 LBS MIN BREAKING STRENGTH</p> <p>9/16" ROT RESISTANT (5.0:1 SF) – 37000 LBS MIN BREAKING STRENGTH</p>

**AREA OF OPERATION**



**DEDUCTIONS FROM RATED LOADS FOR LOAD HANDLING DEVICES SUPPLIED BY MANITEX**

AUXILIARY BLOCK	—	—	—	—	—	—	—	—	—	—	—	50 LBS
AUXILIARY SHEAVE	—	—	—	—	—	—	—	—	—	—	—	50 LBS
OVERHAUL BALL	—	—	—	—	—	—	—	—	—	—	—	SEE OVERHAUL BALL MANUFACTURER NAMEPLATE
LOAD BLOCK	—	—	—	—	—	—	—	—	—	—	—	SEE BLOCK MANUFACTURER NAMEPLATE
HOSE REEL	—	—	—	—	—	—	—	—	—	—	—	140 LBS

7300096-010 NR





### LMI OPERATING CODES

SETTING	CRANE CONFIGURATION	OUTRIGGER CONFIGURATION
#1	— MAIN BOOM	FULLY EXTENDED
#5	— PERSONNEL LIFTING PLATFORM ON MAIN BOOM	FULLY EXTENDED
#9	— MAIN BOOM	INTERMEDIATE
#13	— MAIN BOOM	FULLY RETRACTED

### WARNING

1. THE OPERATOR MUST READ AND UNDERSTAND THE OWNER'S MANUAL BEFORE OPERATING THIS CRANE.
2. POSITIONING OR OPERATION OF CRANE BEYOND AREAS SHOWN ON THIS CHART IS NOT INTENDED OR APPROVED EXCEPT WHERE SPECIFIED IN OWNER'S MANUAL.
3. LOADED BOOM ANGLES AT SPECIFIED BOOM LENGTHS GIVE ONLY AN APPROXIMATION OF THE OPERATING RADIUS. THE BOOM ANGLE BEFORE LOADING SHOULD BE GREATER TO ACCOUNT FOR DEFLECTIONS. DO NOT EXCEED THE OPERATING RADIUS FOR RATED LOADS.
4. FOR BOOM LENGTHS NOT SHOWN, USE RATING OF NEXT SHORTER OR LONGER BOOM LENGTH, WHICHEVER IS LESS. FOR RADII NOT SHOWN, USE RATING OF NEXT LONGER RADIUS.
5. CRANE LOAD RATINGS ON OUTRIGGERS ARE BASED ON FREELY SUSPENDED LOADS WITH THE MACHINE LEVELED AND STANDING ON A FIRM UNIFORM SUPPORTING SURFACE. NO ATTEMPT SHALL BE MADE TO MOVE A LOAD HORIZONTALLY ON THE GROUND IN ANY DIRECTION.
6. PRACTICAL WORKING LOADS DEPEND ON SUPPORTING SURFACE, WIND, AND OTHER FACTORS AFFECTING STABILITY SUCH AS HAZARDOUS SURROUNDINGS, EXPERIENCE OF PERSONNEL, AND PROPER HANDLING, ALL OF WHICH MUST BE TAKEN INTO ACCOUNT BY THE OPERATOR.
7. THE MAXIMUM LOAD WHICH MAY BE TELESCOPED IS LIMITED BY HYDRAULIC PRESSURE, BOOM ANGLE, AND BOOM LUBRICATION. IT IS SAFE TO ATTEMPT TO TELESCOPE ANY LOAD WITHIN THE LIMITS OF THE LOAD RATING CHART.

7300096-010 NR



## INFORMATION

1. DEDUCTIONS MUST BE MADE FROM RATED LOADS FOR OPTIONAL ATTACHMENTS, HOOKS, AND LOADBLOCKS (SEE DEDUCTION CHART). WEIGHTS OF SLINGS AND ALL OTHER LOAD HANDLING DEVICES SHALL BE CONSIDERED A PART OF THE LOAD.
2. LOAD RATINGS ABOVE THE HEAVY LINE ARE STRUCTURALLY LIMITED CAPACITIES. LOAD RATINGS BELOW THE HEAVY LINE ARE STABILITY LIMITED CAPACITIES AND DO NOT EXCEED 85% OF TIPPING.

## DEFINITIONS

1. OPERATING RADIUS IS THE HORIZONTAL DISTANCE FROM THE AXIS OF ROTATION TO THE CENTER OF THE VERTICAL HOIST LINE OR TACKLE WITH LOAD APPLIED.
2. LOADED BOOM ANGLE AS SHOWN IN THE COLUMN HEADED BY  $\angle$ , IS THE INCLUDED ANGLE BETWEEN THE HORIZONTAL AND LONGITUDINAL AXES OF THE BOOM BASE AFTER LIFTING RATED LOAD AT RATED RADIUS.

7300096-010 NR

