



3577C

STANDARD COMPONENTS INCLUDE:

Boom, boom hoist cylinder, 2-speed winch, load line and 5 ton (4,5 mt) overhaul ball, turret, pedestal, sub-frame, dual operator control stations, LMI & ATB protection systems, load chart for multiple spread outriggers, out-down outriggers, out-down rear stabilizers, hydraulic reservoir and boom rest.

HYDRAULICS

- 8-Bolt direct mounted PTO with SAE-C output
- Three-section vane pump, SAE-C input

Pump Section	2000 RPM	2000 RPM
Shaft End Pump:	38.4 GPM @ 100 PSI	145 LPM @ 100 PSI
Center Pump:	27.4 GPM @ 100 PSI	104 LPM @ 100 PSI
Cover End Pump:	11.2 GPM @ 100 PSI	42 LPM @ 100 PSI

- Hydraulic reservoir - 115 gallon (435 liter) capacity

WARNING SYSTEMS

- Wireless LMI with display and crane function shut-offs for overload protection
- Wireless anti-two block system
- Back-up alarm

OPTIONS

- Wired LMI and ATB system
- 22' (6,7 m) Flatbed - wood or 1/8" steel deck
- 22' (6,7 m) Heavy hauler flatbed - 3/16" steel deck w/rub rails
- 24" (610 mm) Bulkhead
- Wire rope type 6 x 25 EIPS IWRC
- Load block - 1 or 3 sheave options
- Auxiliary sheave block for up to 8-part line reeve
- Front center stabilizer for 360° work area
- Gear pump
- Hydraulic oil cooler
- Hose reel - boom mounted
- Toolboxes
 - 24" L x 20" W x 18" H (610 mm x 508 mm x 457 mm)
 - 48" L x 18" W x 18" H (1220 mm x 457 mm x 457 mm)
- 2-Person gravity leveled non-rotating basket - 600 lb (272 kg) capacity
- 2-Person gravity leveled rotating (manual) basket - 1,200 lb (544 kg) capacity
- 4-Function radio remote crane control system

BOOM

- 35 Ton (31,8 mt) capacity @ 6' (1,8 m) radius
- 3-Section 77' (23,5 m) proportional boom
- 5-Sheave quick reeve boom point

HOIST

- Maximum theoretical line speed 453 fpm (138 mpm)
- Maximum theoretical bottom-layer line pull 14,500 lb (6,577 kg)
- Wire Rope – 380' (115,8 m) 5/8" (16 mm) diameter, rotation resistant

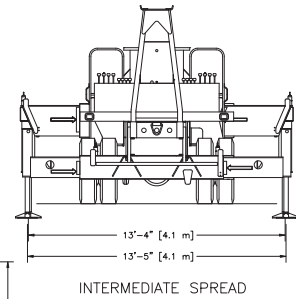
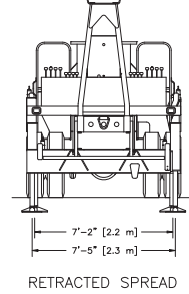
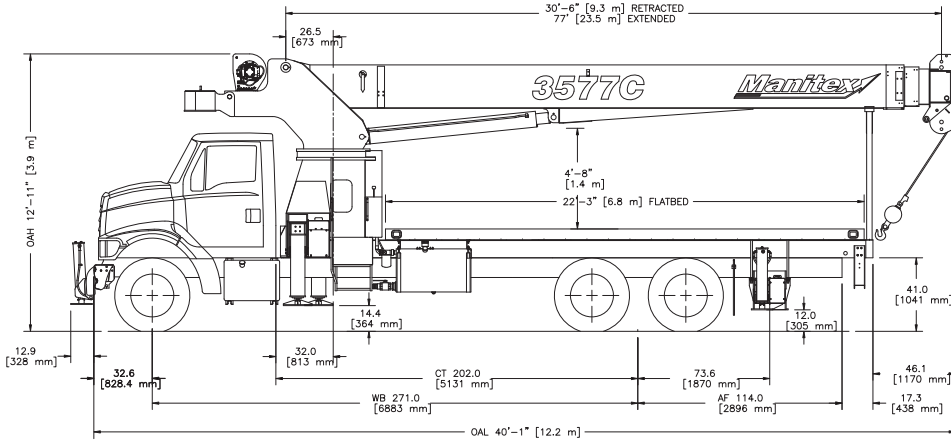
In order to ensure continuous improvement, Manitex reserves the right to change design and specifications without notice.

MTX-3577C-SS-EN-V3-1111

3000 South Austin Avenue, Georgetown, Texas 78626 • 512.942.3000 • www.manitex.com



Manitex

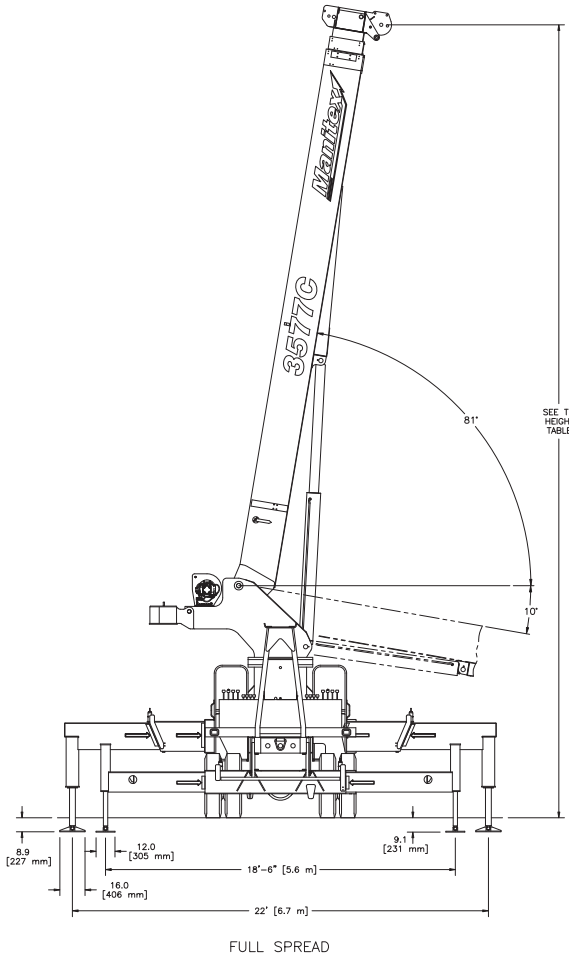


CHASSIS DATA	3577C
Wheelbase (WB)	271" 6 883 mm
Cab to Axle (CA)	202" 4 887 mm
After Frame (AF)	114" 2 896 mm
Frame Section Modulus for 360° Rotation (Minimum)*	30 in ³ 125,000 psi 861 875 kPa
Front Axle Gross Weight Rating	20,000 lb 8 165 kg
Rear Axle Gross Weight Rating	40,000 lb 18 144 kg
Minimum Truck Axle Weight - Front**	8,450 lb 3 674 kg
Minimum Truck Axle Weight - Back**	8,300 lb 3 765 kg
Nominal Frame Width	34" 864 mm

*Also applies to front frame extensions for single front stabilizer.
 **Minimum chassis weight is required to meet 85% stability requirements.
 Chassis data is general-not for engineering. Some dimensions depend on truck selection.

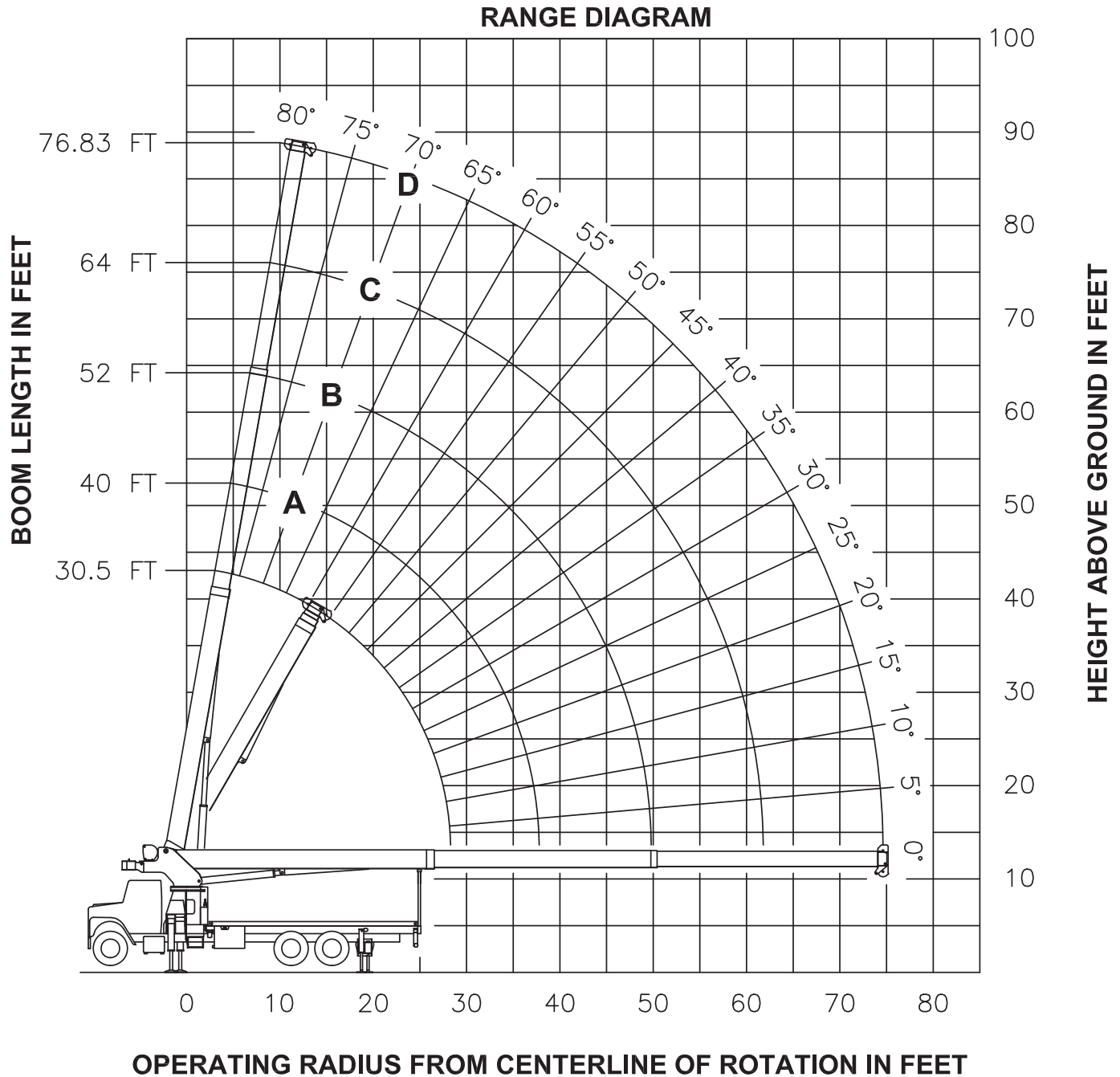
WEIGHTS	3577C
Total Crane - Standard	27,450 lb 12 451 kg
22' (6,71 m) Flat Bed	2,000 lb 907 kg

MAXIMUM TIP HEIGHT (A)	3577C
Configuration	Boom 77' 23.5 m
Extended Boom	87'-11" 26.8 m





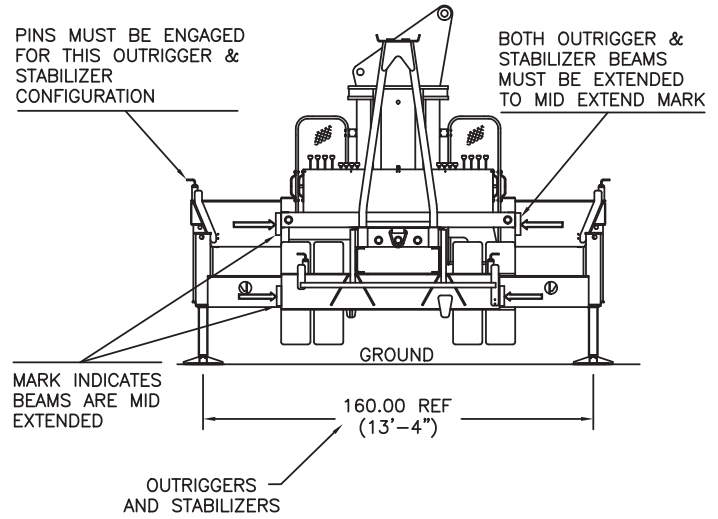
RANGE DIAGRAM - FULL SPREAD CONFIGURATION -



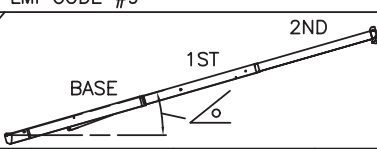
7300085-001 NR



**USE THIS CHART ONLY
WHEN FRONT
OUTRIGGERS AND REAR
STABILIZERS ARE IN THE
INTERMEDIATE POSITION**



**- INTERMEDIATE SPREAD CONFIGURATION -
(MID EXTEND)**

MAIN BOOM LOAD RATINGS IN LBS										
LMI CODE #9										
OPERATING RADIUS FT	LOADED BOOM ANGLE		BOOM LENGTH AND MARKER							
	30.5FT	40 FT	52 FT	64 FT	76.83FT					
6	80	70000								
8	75	54700	79	52620						
10	71	46840	76	44750	80	43120				
12	67	40980	73	38930	78	37490	80	36240		
15	61	24930	69	25200	74	25400	78	25520	80	25610
20	48	14170	60	14400	68	14550	73	14650	77	14710
25	32	9270	51	9480	62	9620	68	9700	73	9760
30			40	6670	55	6800	63	6880	69	6920
35			26	4860	48	4980	58	5050	65	5090
40					39	3700	52	3770	60	3810
45					28	2760	46	2820	55	2860
50							39	2100	51	2130
55							30	1520	45	1550
60							17	1050	39	1080
65									32	690

7300085-001 NR

