



# PK 37002

High Performance

**PALFINGER**



**KTL**  
protected

**Paltronic 50**  
controlled

**ISC**  
Integrated Stability Control  
monitored

## All-purpose power

The PK 37002 offers the perfect combination of lifting power and maneuverability because of its low weight and compact design. This top seat controlled crane with continuous rotation was designed exclusively for the North American construction market. The KTL corrosion protection shields the crane in all types of environments. The Power Link Plus double linkage system allows the outer boom to angle upward 15° above horizontal for maximum flexibility in difficult situations. Maintenance-free extension system, and its unique Fly-Jib combinations makes this crane a true market leader.



# Reliable and efficient

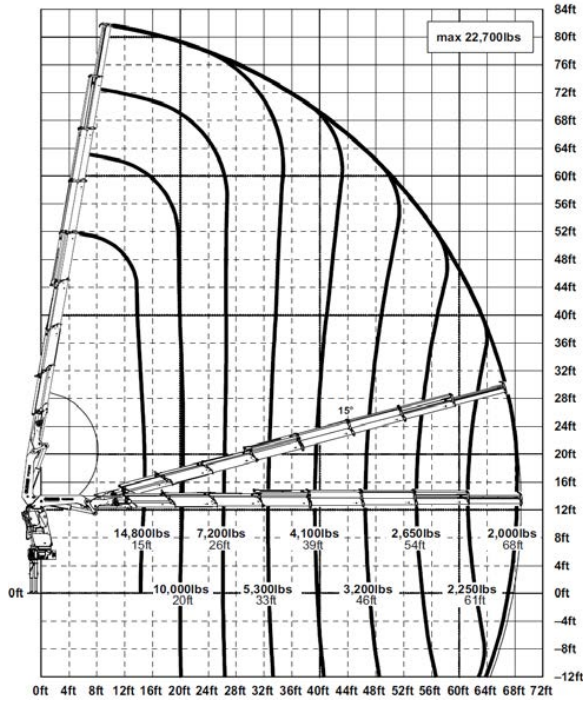
PALFINGER USA Inc.  
 4151 West State Route 18  
 Tiffin, OH 44883  
 U.S.A.  
 Tel. 419-937-2190

PALFINGER Inc.  
 7942 Dorchester Rd.  
 Niagara Falls, ON L2E 6V6  
 Canada  
 Tel. 905-374-3363  
 Fax 905-374-1203  
 Toll Free 800-567-1554  
 www.palfinger-northamerica.com

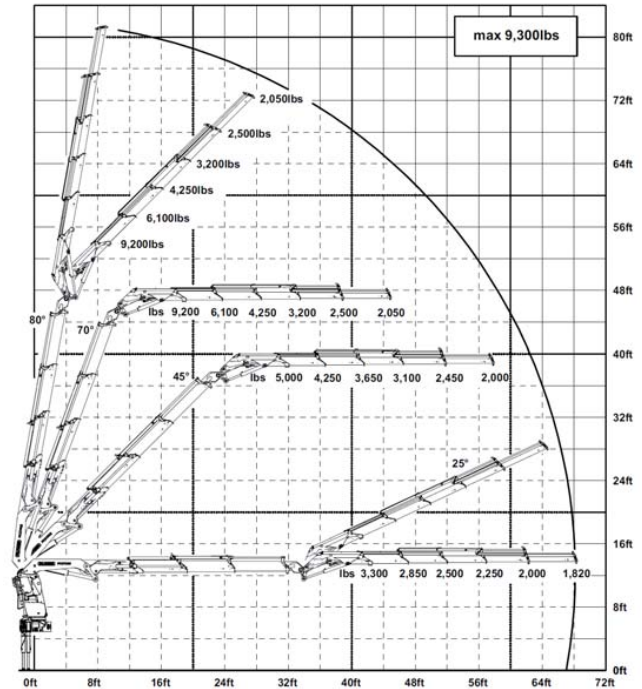
PK 37002  
 05.11

## PK 37002 High Performance

PK 37002 G

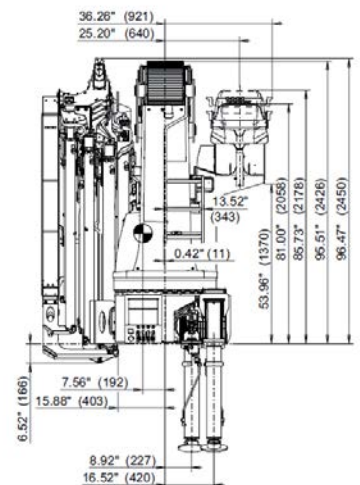
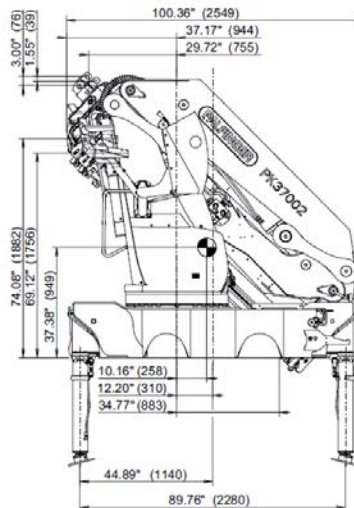


PK 37002 C + PJ 100 C



### Technical Specifications

Max. lifting moment	256,040 ft.lbs
Max. lifting capacity	28,500 lbs
Max. hydraulic outreach	68' 11"
Max. Hydraulic Reach w/ Jib	102' 4"
Slewing angle	Continuous
Slewing torque (net)	36,210 ft.lbs
Linkage System	Power Link Plus, 15°
Stabilizer spread	24' 3"
Max. operating pressure	4,350 psi
Recommended pump capacity	21.1 - 26.4 US gal/min
Dead weight (std.)	8,644 lbs



Applications shown in the leaflet do not always correspond to the standard specifications. Design and specification are subject to change without prior notice.  
 Note (\*): Optional equipment  
 www.palfinger-northamerica.com

