



PK 18500 *Performance*

PALFINGER



UNIVERSAL TALENT

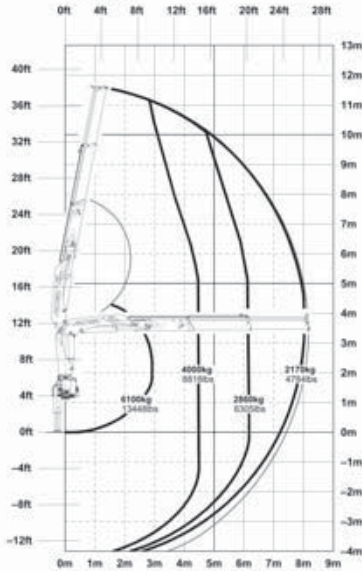
Ideal for loading and unloading unit cargoes and construction machinery, the PK 18500 *Performance* stands out by virtue of its reliability and its many different applications. Three stabiliser spreads and up to five hydraulic extensions make this crane the perfect working unit for an extremely wide range of jobs.



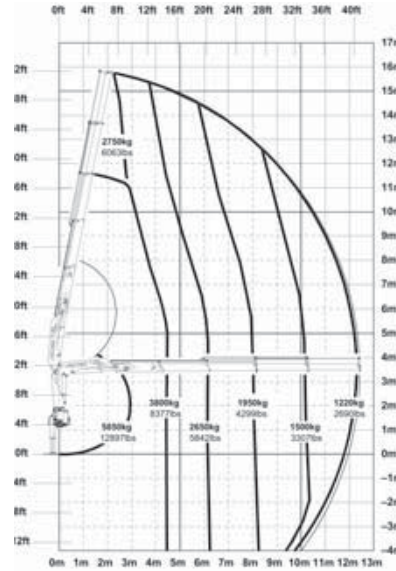
MULTIFUNCTIONAL AND RELIABLE



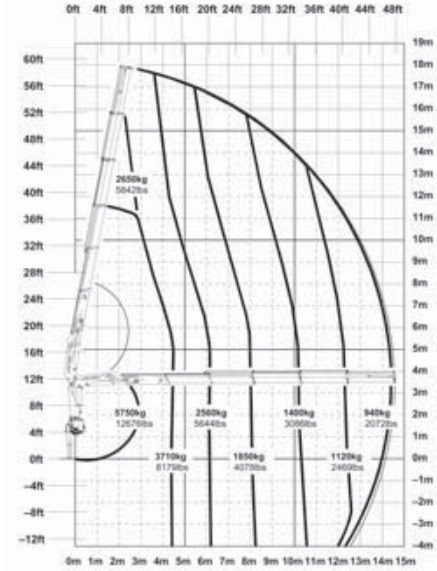
PK 18500 Performance A



PK 18500 Performance C



PK 18500 Performance D

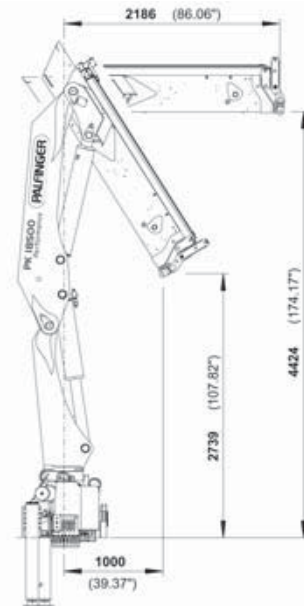
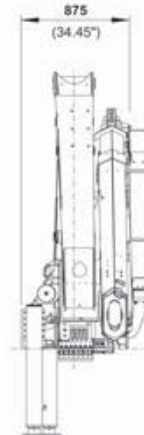
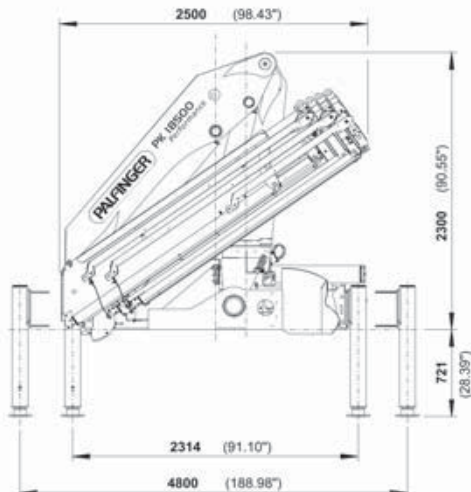


PK 18500 Performance

Technical Specifications (EN 12999 H1-B3)		
Max. lifting moment	18.3 mt/180.0 kNm	132710 ft.lbs
Max. lifting capacity	6100 kg/59.8 kN	13450 lbs
Max. hydraulic outreach	14.6 m	47' 11"
Max. manuel outreach	18.8 m	61' 8"
Max. outreach (with fly-jib)	25.1 m	82' 4"
Slewing angle	400°	

PK 18500 Performance

Standard crane		
Slewing torque	2.4 mt/24.0 kNm	17700 ft.lbs
Outreach	8.2 m	26' 11"
Stabilizer spread standard	4.8 m	15' 9"
Stabilizer spread maximal	6.6 m	21' 9"
Fitting space required	0.89 m	2' 11"
Width folded	2.5 m	8' 2"
Max. operating pressure	300 bar	4350 psi
Recommended pump capacity	from 45 l/min	9.9 imp.gal./min 11.9 US gal./min
	to 65 l/min	14.3 imp.gal./min 17.2 US gal./min
with RC- and LS-system	from 65 l/min	14.3 imp.gal./min 17.2 US gal./min
	to 80 l/min	17.6 imp.gal./min 21.1 US gal./min
Dead weight standard crane	2117 kg	4670 lbs



Applications shown in the leaflet do not always correspond to the standard specifications. Design and specification are subject to change without prior notice. Country-specific regulations must be considered for the crane installation.

